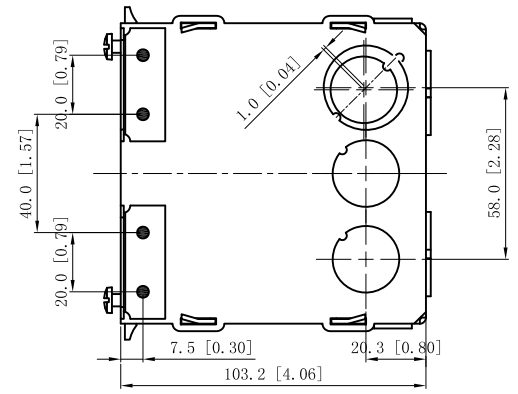
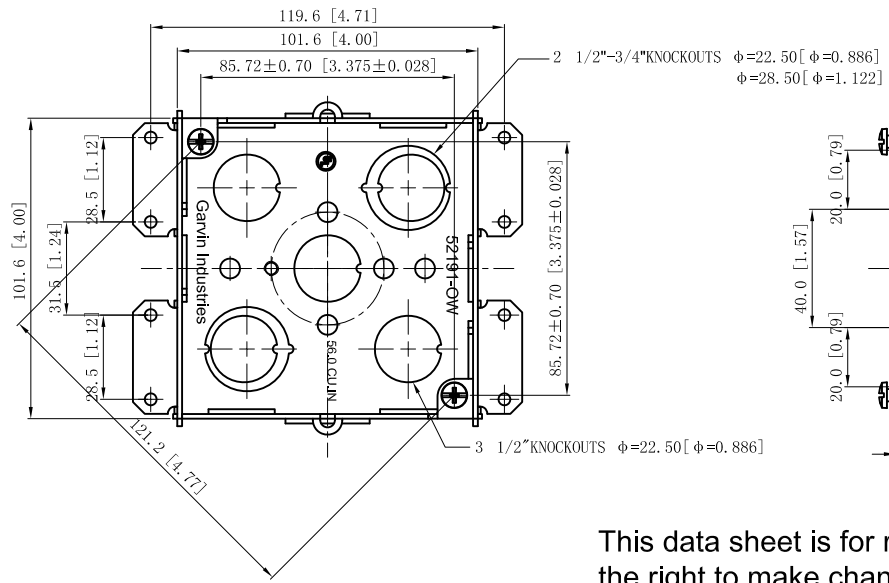
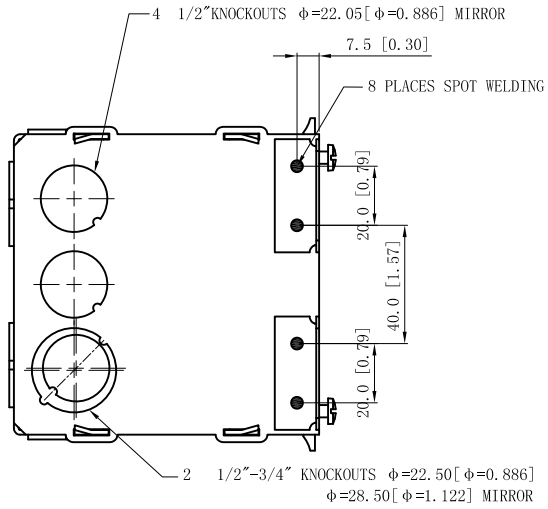
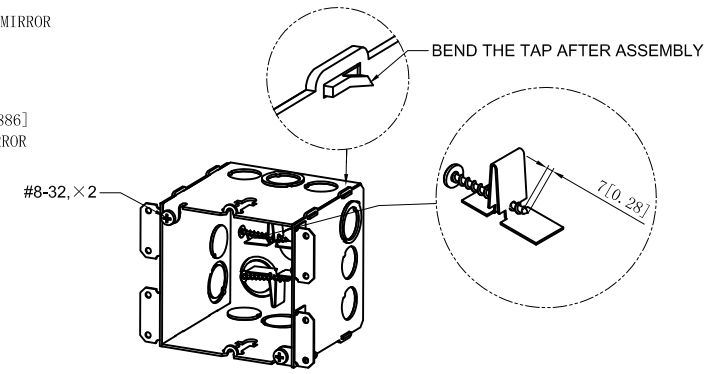
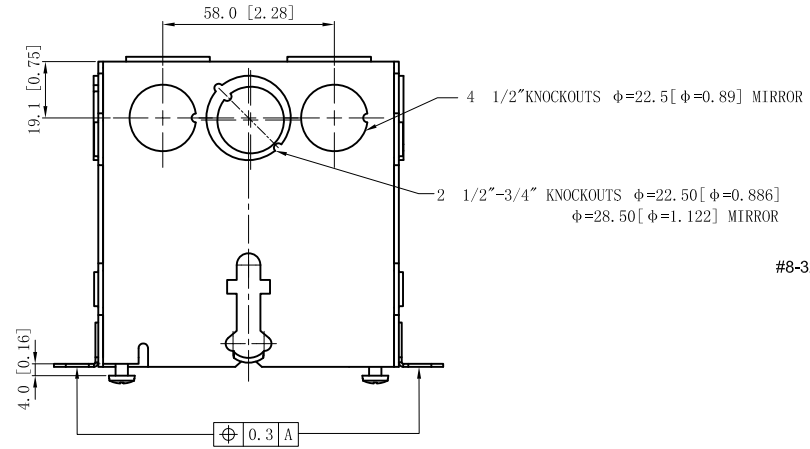


| SIDES | BOTTOM |
|---|----------------------------|
| 8 1/2" MOON KNOCKOUTS | 3 1/2" KNOCKOUTS |
| 4 1/2"-3/4" MOON KNOCKOUTS | 2 1/2"-3/4" MOON KNOCKOUTS |
| 2 PCS 8-32x1/2 Screws Installed | |
| 2 PCS 6-20x1-3/4 Type AB screws Installed | |
| Material: Steel-0.0625"-G60 Galvanized | |



This data sheet is for reference only .GARVIN INDUSTRIES reserves the right to make changes to the design without prior notice.

| |
|-----------------------|
| DESCRIPTION |
| |
| TRADE REFERENCE TERMS |
| |

| |
|------------------|
| STANDARD PACKING |
| 10 PCS |

| | | |
|-----------------------------------|---------------------|----------|
| GARVIN INDUSTRIES | | |
| TITLE 4" SQUARE BOXES 4 " DEEP | | |
| SIZE A4 | DWG NO. 52191-OW | REV B |
| DATA SHEET | | |
| www.garvinindustries.com | | |