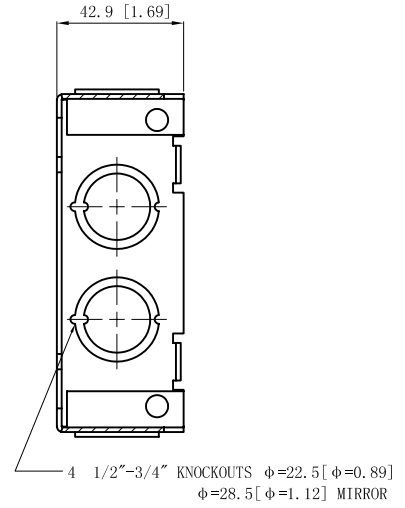
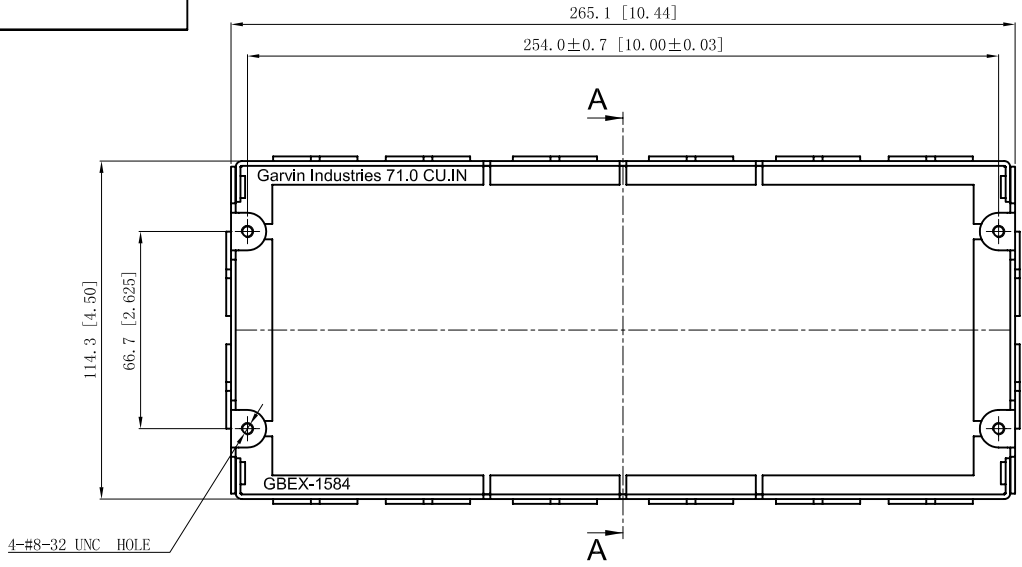
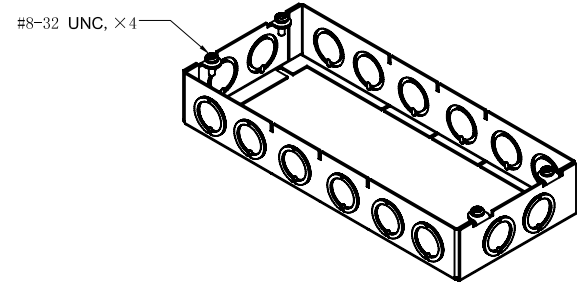
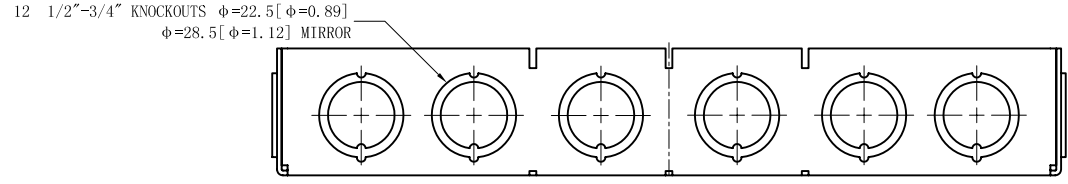


SIDES	BOTTOM
16 1/2"-3/4" KNOCKOUTS	
4 PCS 8-32×1/2 Screws Installed	
Material:Steel-0.0625"-G60 Galvanized	



CUTAWAY VIEW A-A



DESCRIPTION
TRADE REFERENCE TERMS

This data sheet is for reference only .GARVIN INDUSTRIES reserves the right to make changes to the design without prior notice.

STANDARD PACKING	GARVIN INDUSTRIES		
	TITLE 1-5/8" DEEP MULTI-GANG BOXES EXTENSION RINGS		
20 PCS	SIZE A4	DWG NO. GBEX-1584	REV A
	DATA SHEET		