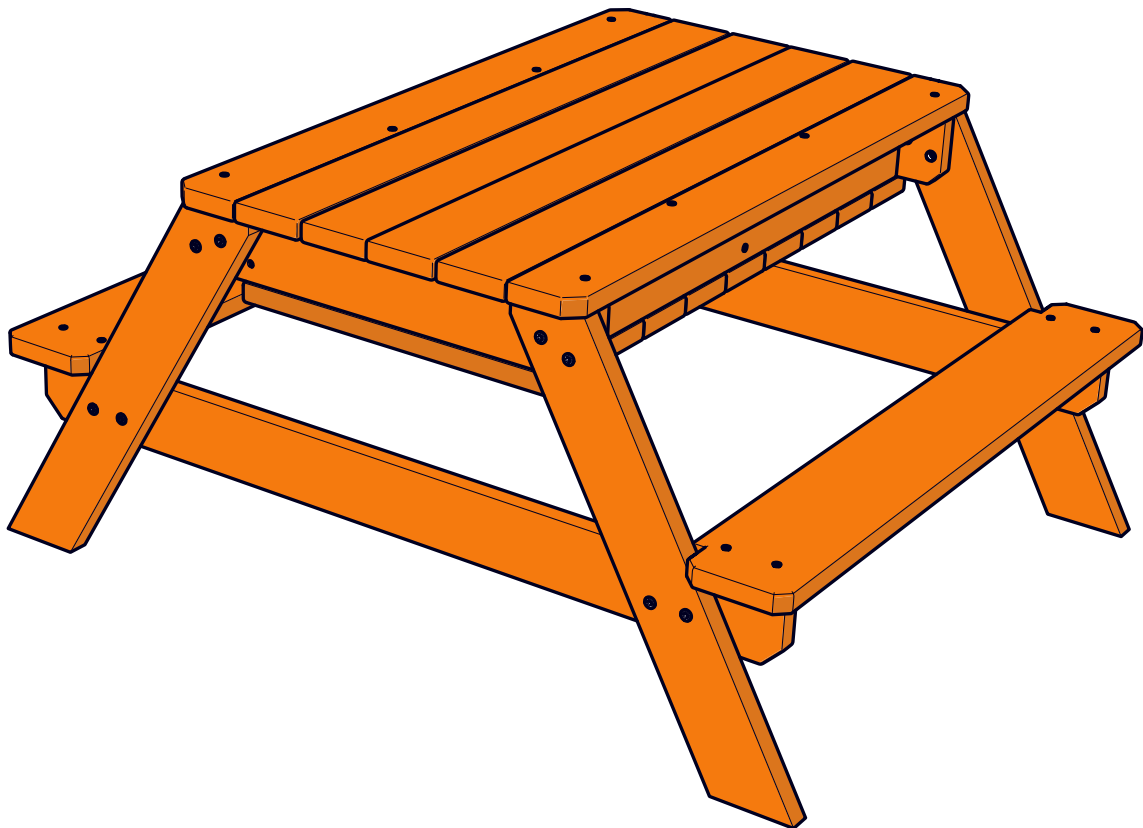


JACK & JUNE

CONVERTIBLE SAND BOX & PICNIC TABLE



ASSEMBLY INSTRUCTIONS

**Assembly requires 1 adult
(approx. 1 hour assembly time)**

Warning! For outdoor domestic use only.
Adult supervision recommended at all times.
Not suitable for children under 36 months until fully
assembled – Small parts – Choking hazard.
Min. User Age: 18 months. Max. User Weight: 110 lbs.

PG305

Advisory Section

To ensure the safety of you, the installer and your children, it is important that these instructions are read fully before commencing the positioning and assembly of this product. Assemble table on a clean flat area.

Keep your sandpit safe for the children

1. Always cover the sandpit when not in use, to prevent unwanted animals from playing in the sand.
2. Before covering your sandpit, place a large object in the center of the sand to prop up the cover.
This will allow water to drain off the cover, and prevent any rain water from "pooling" in the center of the sand pit.
This must be checked regularly.
3. Should any water still accumulate and form a pool, please ensure that this water is removed. Standing water can pose a danger to children.
4. Regularly check sand for impurities and any other sharp objects that may cause harm to children, including at the beginning of the season.
5. Use washed play sand suitable for use in children's sand pits.
6. Regularly change the sand to ensure that there is no build up of mold and to ensure that the play area is hygienic.
7. In windy and adverse weather conditions place the product in a safe area. In these conditions the product may become a hazard.

Timber Advice

This product has been made from premium timber. Great care has been taken in selecting, and machining the timber before it is presented to you. Timber is a natural product and as such may experience changes throughout the course of its life. This means it may:

- Develop openings (gaps, slits, apertures, cracks, splits) along the line of the grain. These openings are due to the difference in moisture content between the internal and outer surfaces of the timber. This is to be expected, is totally acceptable and will not affect the integral strength, life or guarantee of the product.
- Warp and distort its shape. Any distortion will be slight and will not affect the safety or enjoyment of this product.
- Fade as the timber reacts with sunlight. The timber should be treated with a proprietary product to act as a protective barrier, i.e. a water repellent, upon completion of assembly and on an annual basis.
- After first year of service treat product with a good quality treatment safe for children's use.

Routine Maintenance

It is advised that on a regular basis (i.e. at the beginning of the season and monthly thereafter) all main parts/ fixings are checked as secure, well oiled (if metallic), have no sharp points/edges and are intact. Replace, and/or tighten when necessary. Failure to do so may result in an injury or hazard.

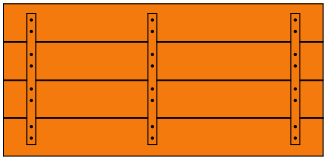
Fabric Parts are shower-proof only.

Remember to keep these instructions in a safe place for future reference.

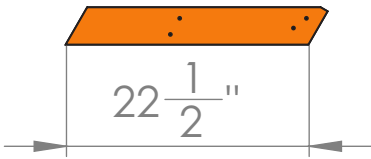
PG305 STANDARD PARTS LIST



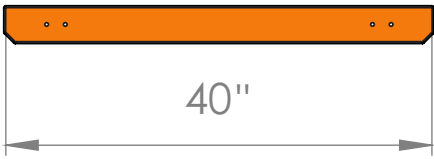
**D1530
QTY. 2**



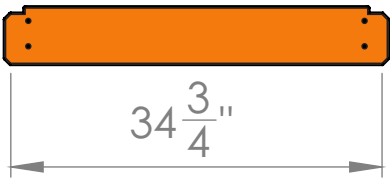
**D1529
QTY. 1**



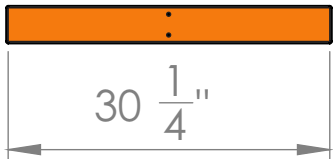
**D1535
QTY. 4**



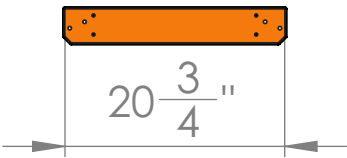
**D1534
QTY. 2**



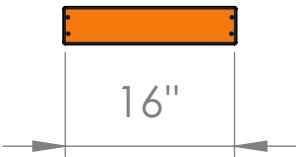
**D1533
QTY. 2**



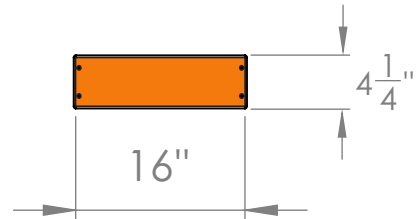
**D1568
QTY. 2**



**D1536
QTY. 2**



**D1531
QTY. 8**



**D1531-1 (Wide)
QTY. 1**



**D1569
QTY. 1**

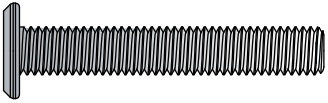


**D1570 (Sand liner)
QTY. 2**

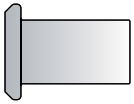
HARDWARE



#8 X 2" PHILLIPS FLAT
HEAD WOOD SCREW
QTY. **64**



M6X40mm
QTY. **16**



M6X15mm
QTY. **16**

TOOLS NEEDED



PHILLIPS SCREW DRIVER
(NOT INCLUDED)

NOTE:

An electric screwdriver is helpful in assembly. However, please set at low torque and use extreme caution with an electric screwdriver because you could over-tighten the hardware & strip out the screws.



ALLEN KEYS (Included)
QTY. **2**

STEP 1

On a clean flat surface attach **D1568** boards to **D1536** board as shown.

NOTE: Tighten, but **DO NOT** strip out any screws.

HARDWARE NEEDED (ACTUAL SIZE)



#8 X 2" WOOD SCREW
QTY. 4

PARTS NEEDED (NOT TO SCALE)



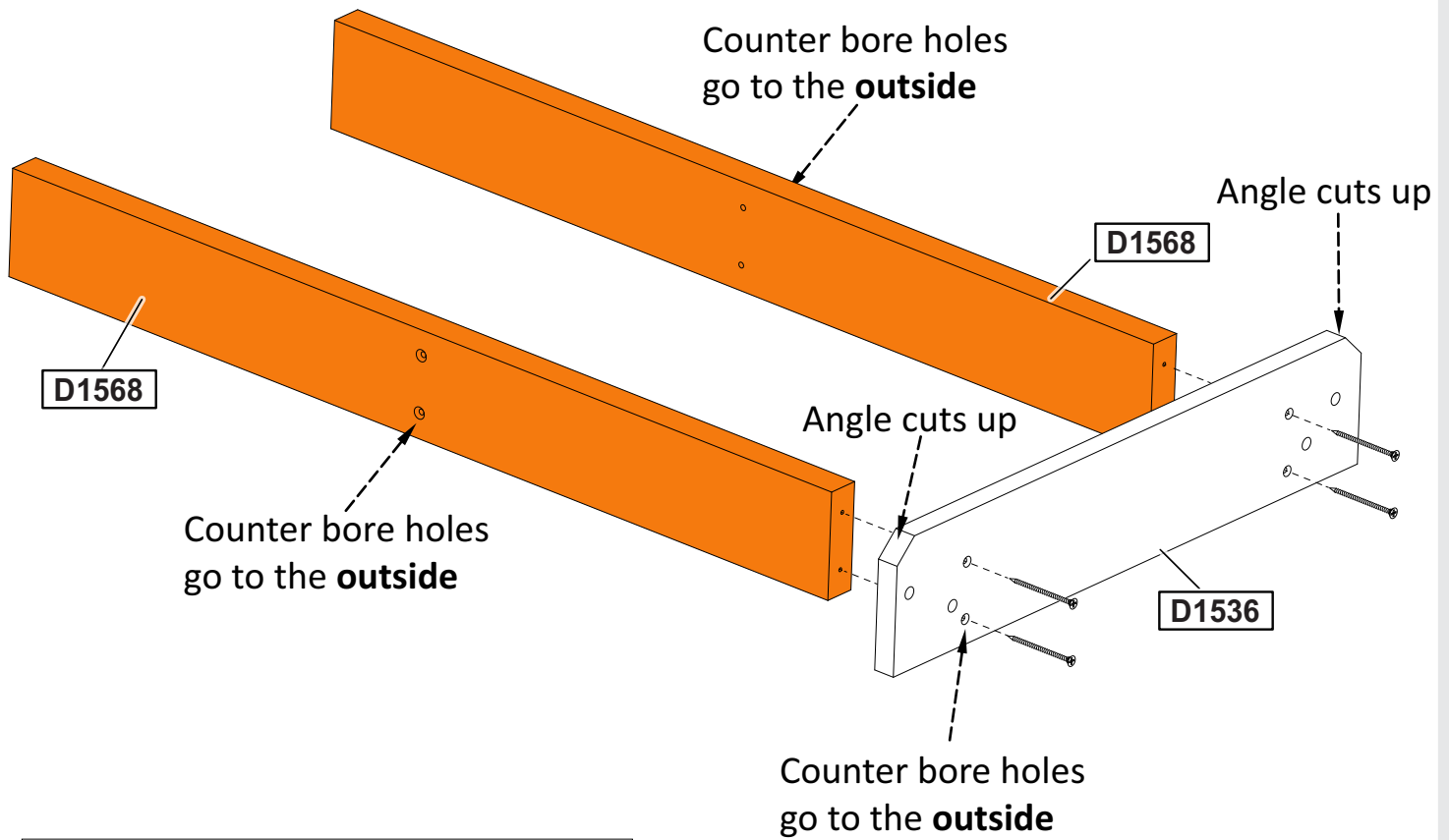
$20\frac{3}{4}$ "

D1536
QTY. 1



$30\frac{1}{4}$ "

D1568
QTY. 2



SIDE VIEW



Note: Assemble on a clean flat surface

STEP 2

Attach a second **D1536** board to other end as shown.

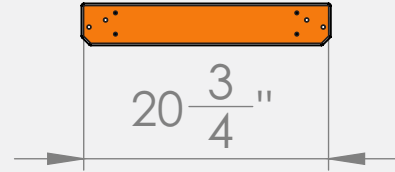
NOTE: Tighten, but **DO NOT** strip out any screws.

HARDWARE NEEDED (ACTUAL SIZE)

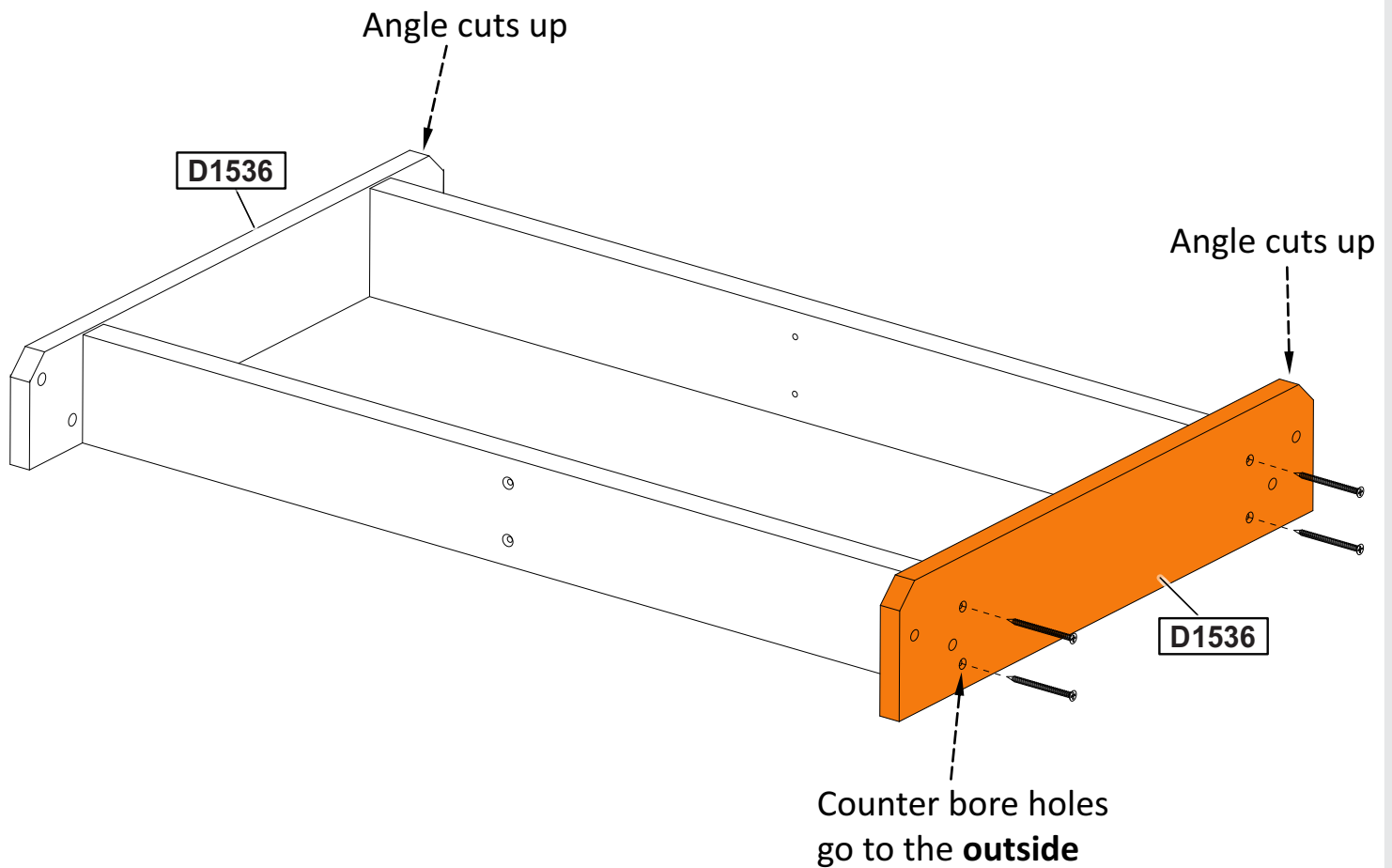


#8 X 2" WOOD SCREW
QTY. 4

PARTS NEEDED (NOT TO SCALE)



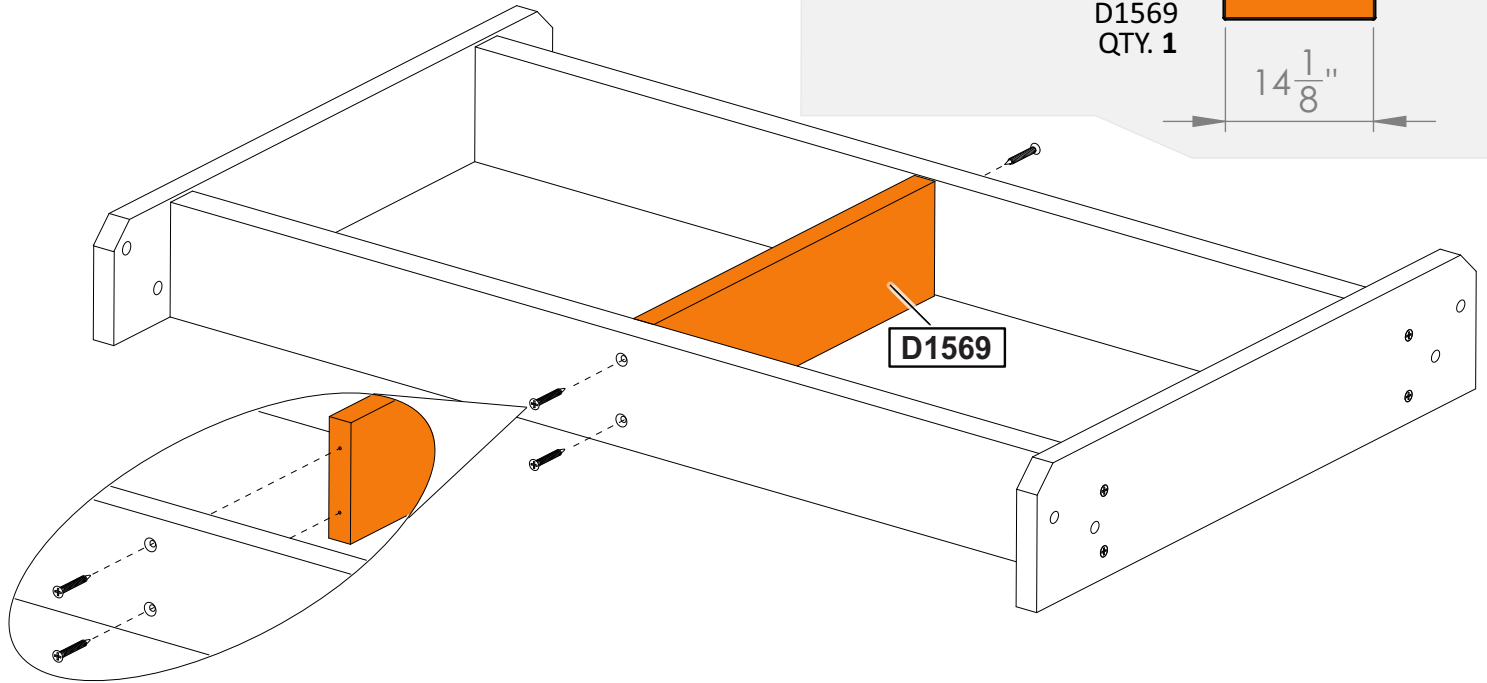
D1536
QTY. 1



STEP 3

Attach **D1569** board as shown.

NOTE: Tighten, but **DO NOT** strip out any screws.



HARDWARE NEEDED (ACTUAL SIZE)



#8 X 2" WOOD SCREW
QTY. 4

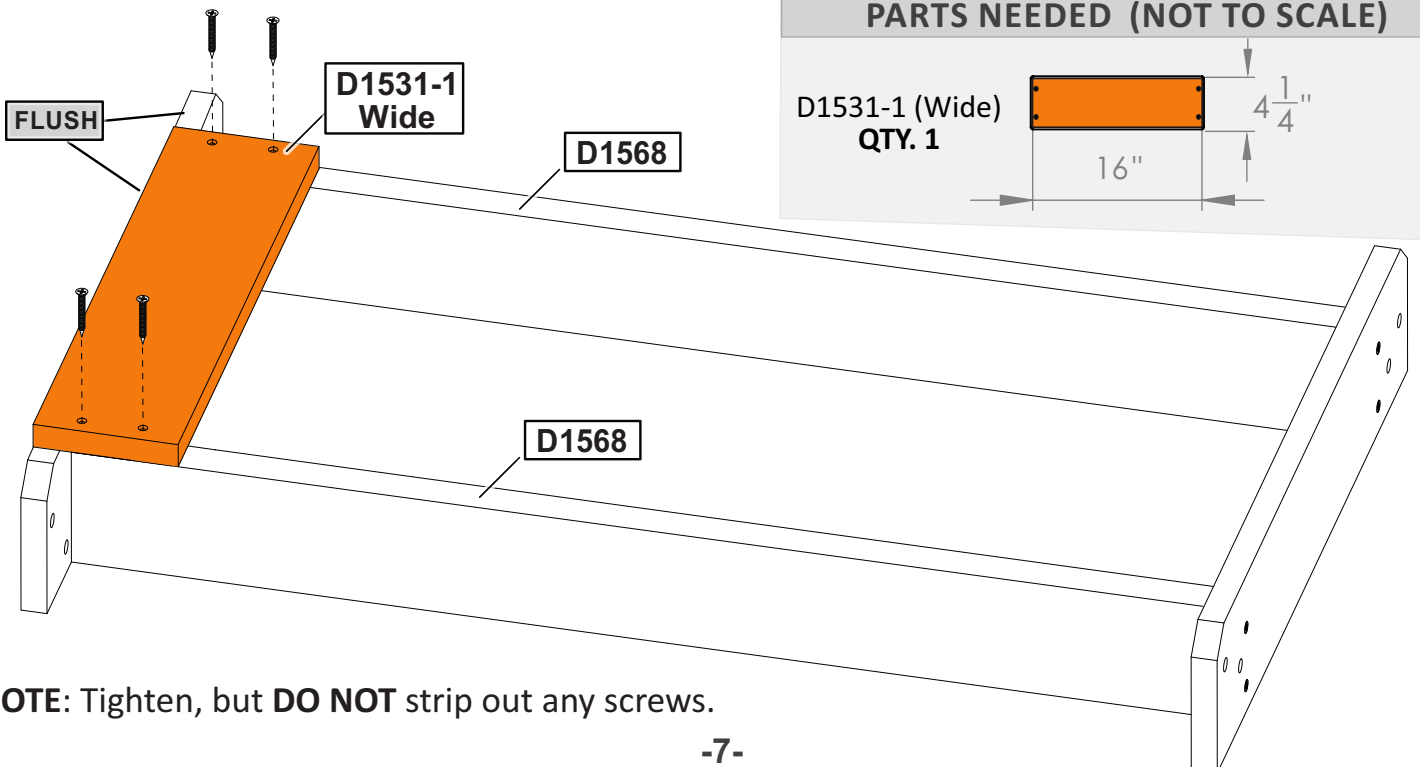
PARTS NEEDED (NOT TO SCALE)

D1569
QTY. 1



STEP 4

Attach **D1531-1 wide board** flush to the end & screw centered on the **D1568** boards as shown.



HARDWARE NEEDED (ACTUAL SIZE)



#8 X 2" WOOD SCREW
QTY. 4

PARTS NEEDED (NOT TO SCALE)

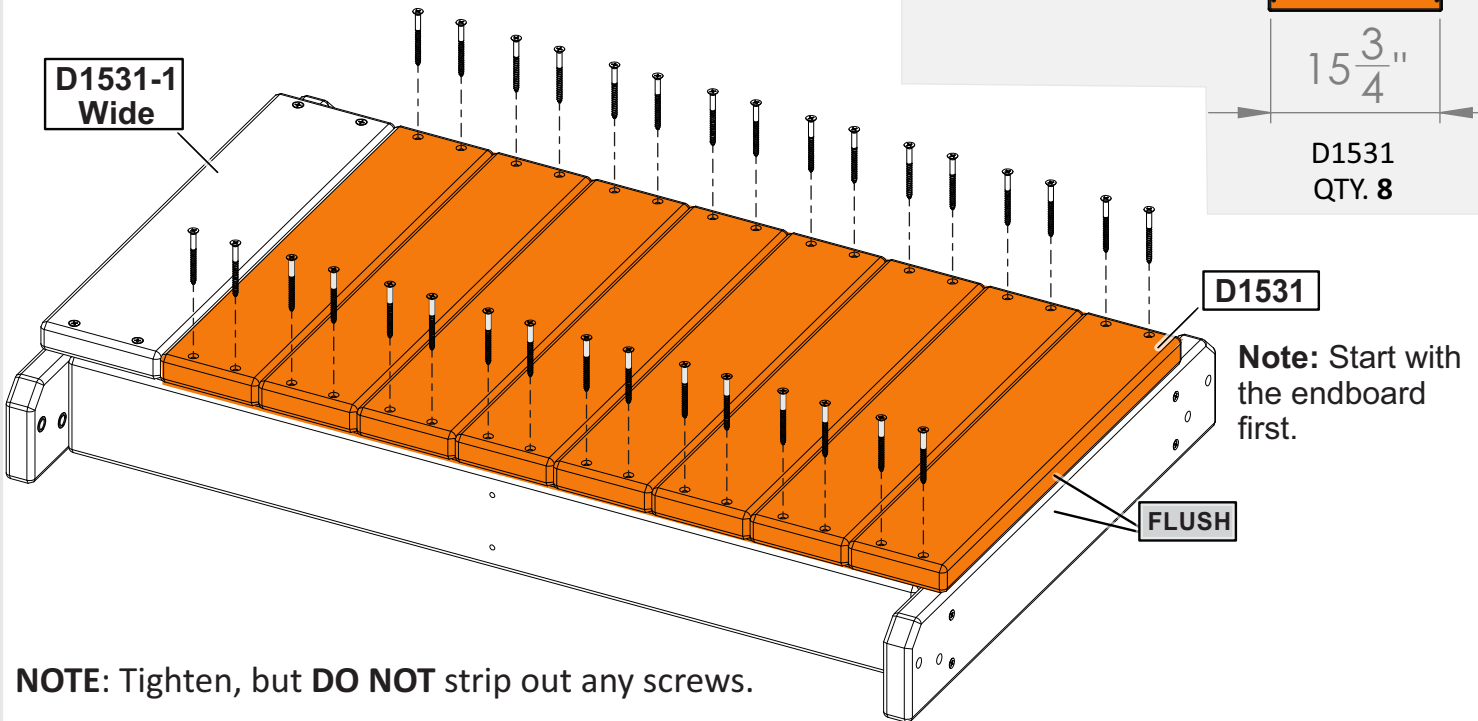
D1531-1 (Wide)
QTY. 1



NOTE: Tighten, but **DO NOT** strip out any screws.

STEP 5

Place all **D1531** boards starting with the end board first (make sure its flush to the end). Evenly space, if necessary, and attach all board using the 2" screws.



HARDWARE NEEDED (ACTUAL SIZE)



#8 X 2" WOOD SCREW
QTY. 32

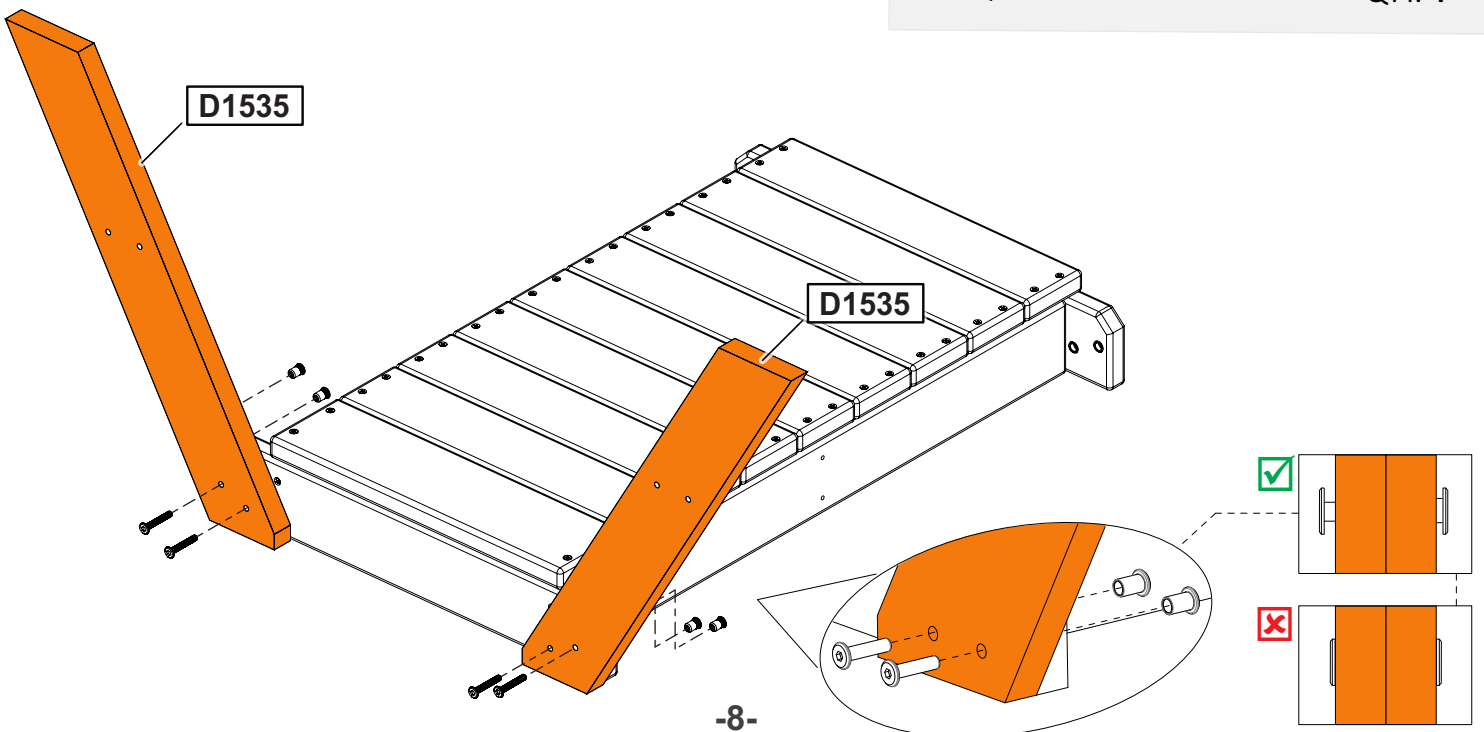


15 $\frac{3}{4}$ "

D1531
QTY. 8

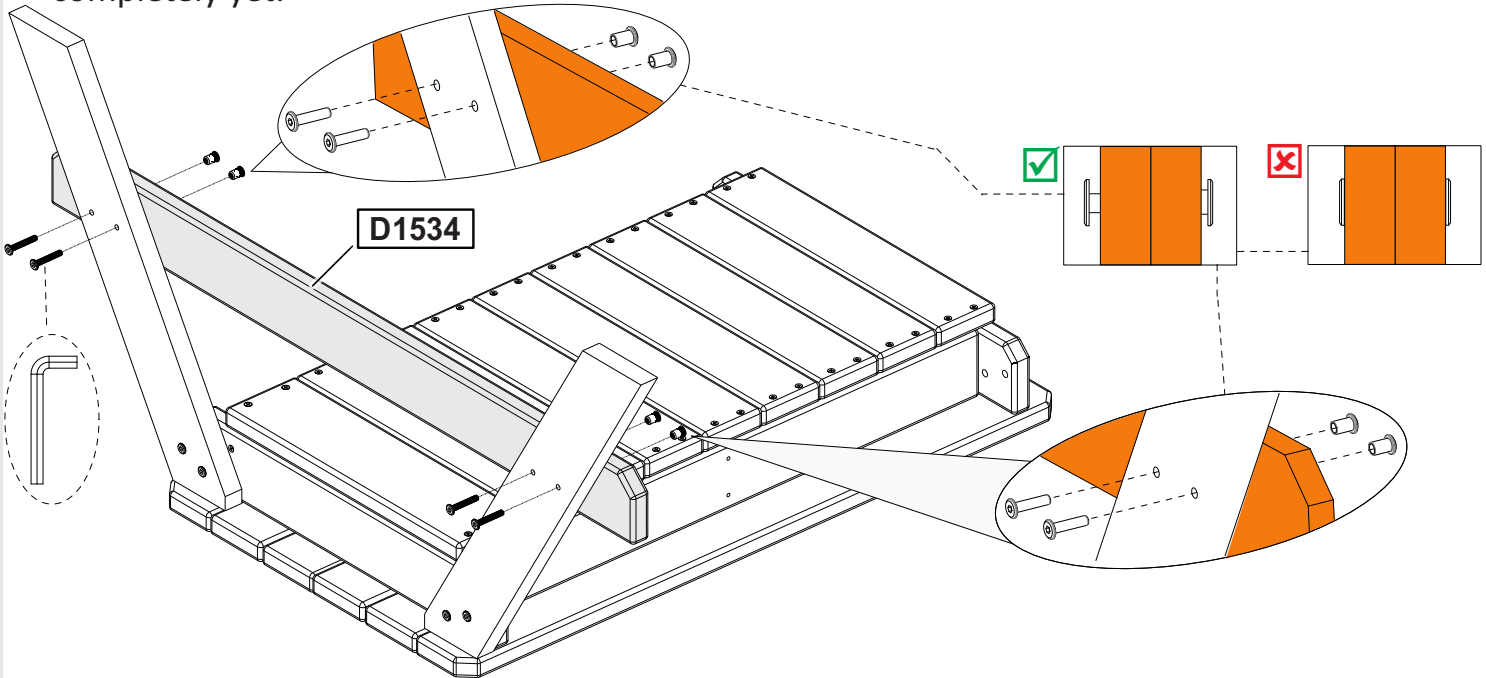
STEP 6

Attach **D1535** Leg boards as shown using Allen Wrench. Start bolts but **do not** tighten completely yet.

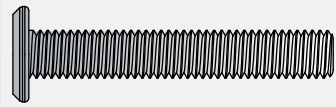


STEP 7

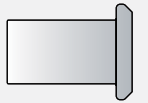
Attach **D1534** board as shown using Allen Wrench. Start bolts but do not tighten completely yet.



HARDWARE NEEDED (ACTUAL SIZE)



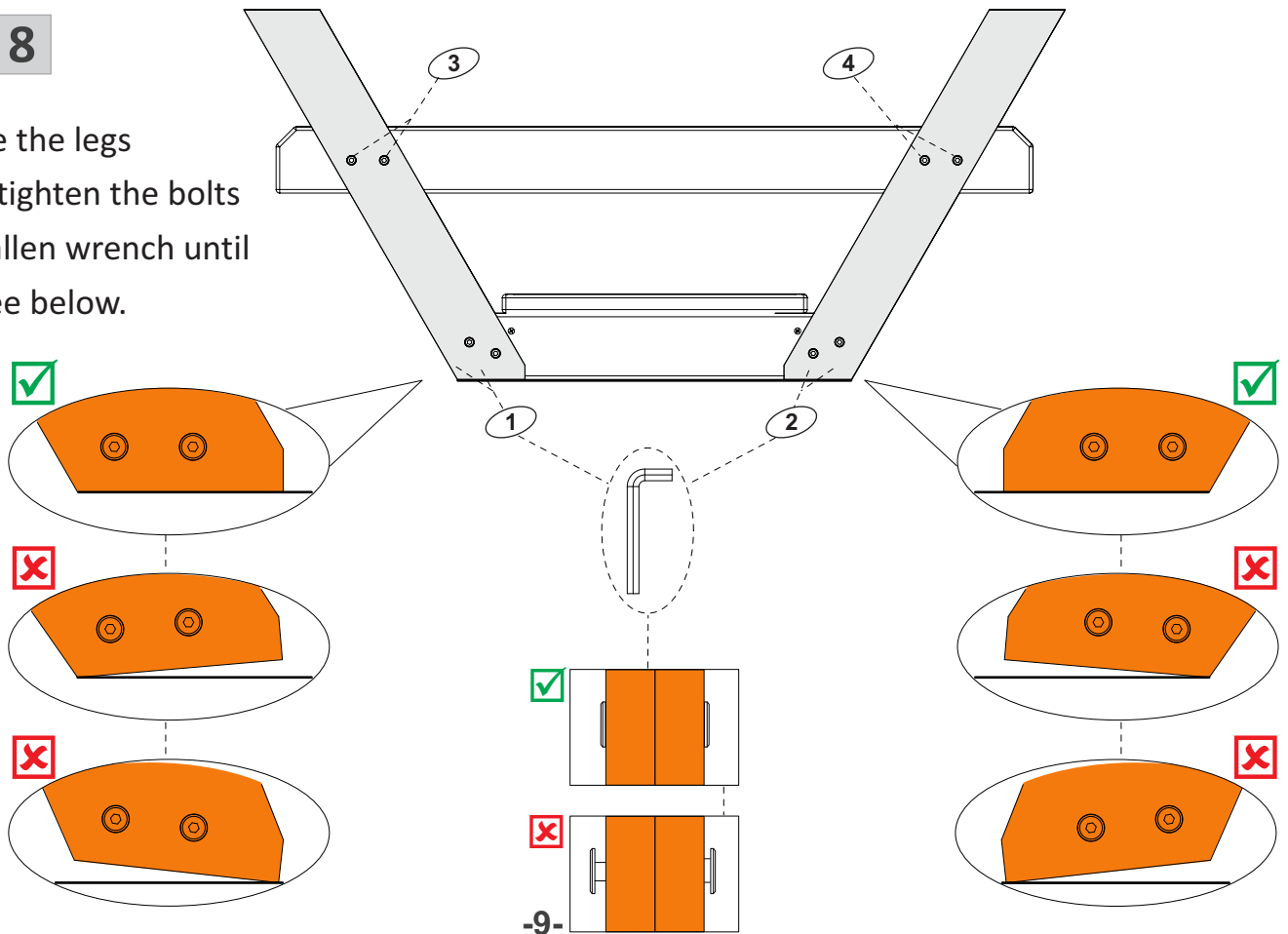
M6X40mm
QTY. 4



M6X15mm
QTY. 4

STEP 8

Make sure the legs are level, tighten the bolts with the allen wrench until secure. See below.



STEP 9

REPEAT Steps 6-8 to attach boards **D1534** & **D1535** to the other end of the table.

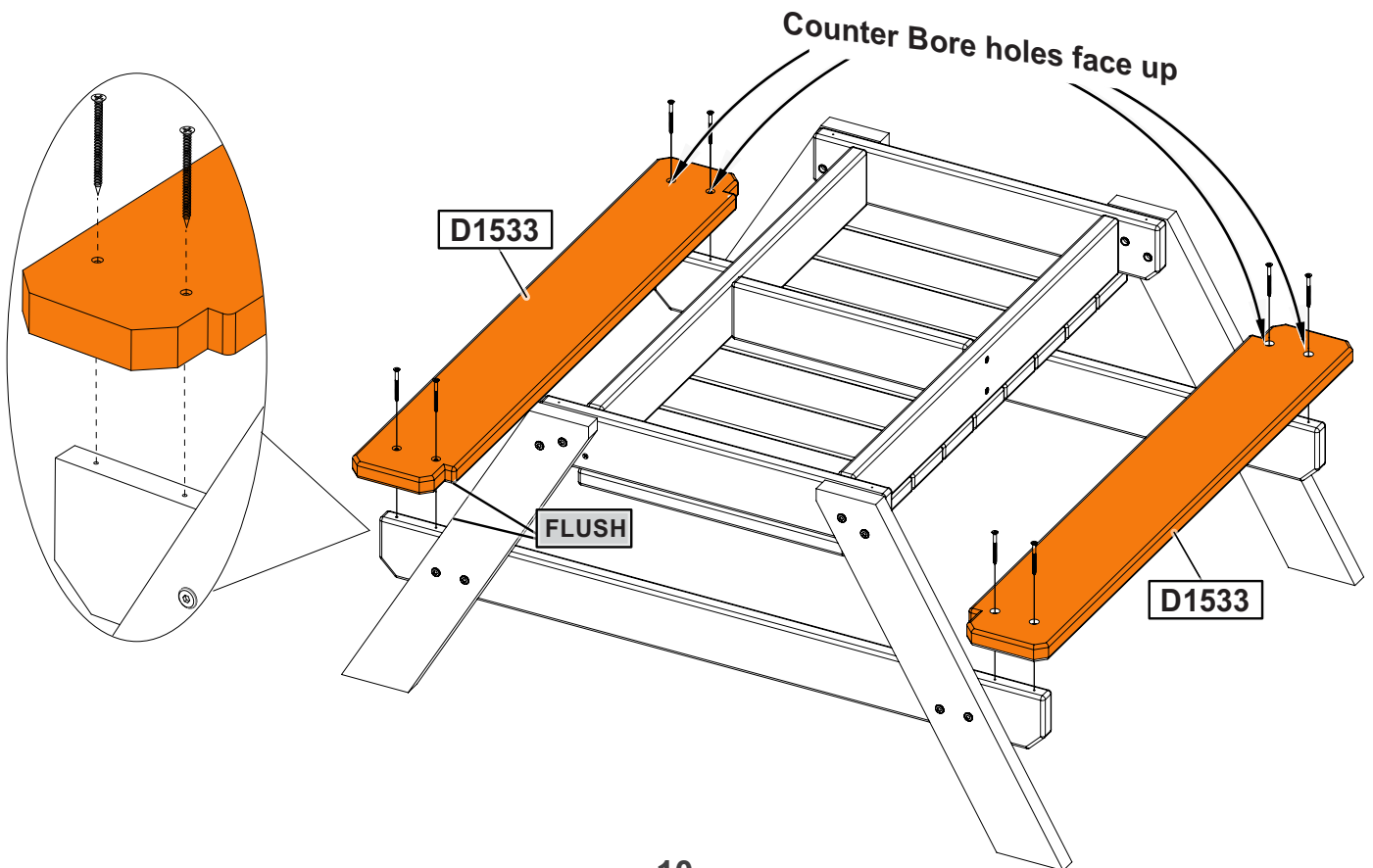
STEP 10

Attach **D1533** Seat boards making sure they are **flush** to the leg boards as shown.

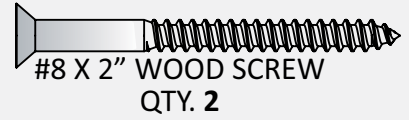
HARDWARE NEEDED (ACTUAL SIZE)



#8 X 2" WOOD SCREW
QTY. 8

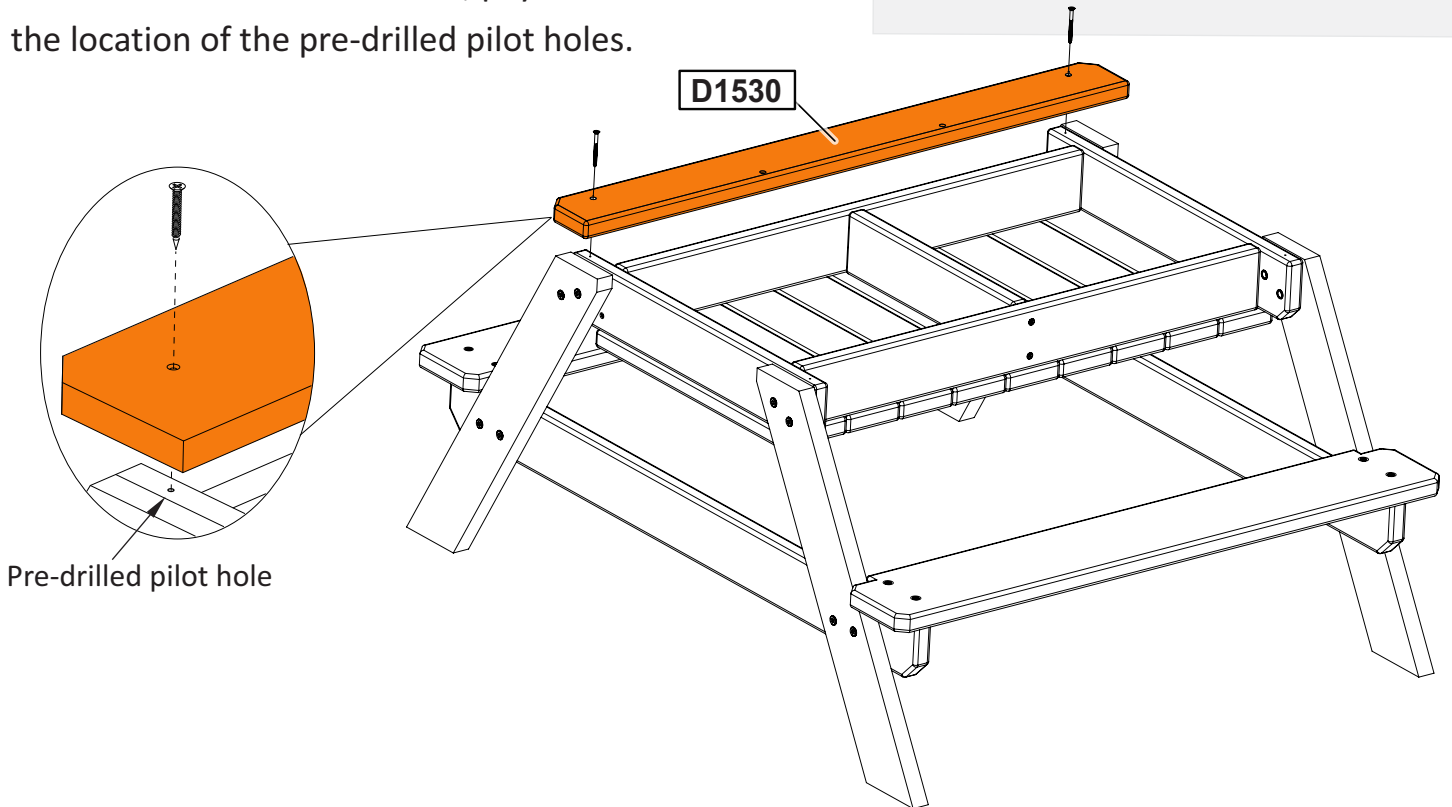


HARDWARE NEEDED (ACTUAL SIZE)



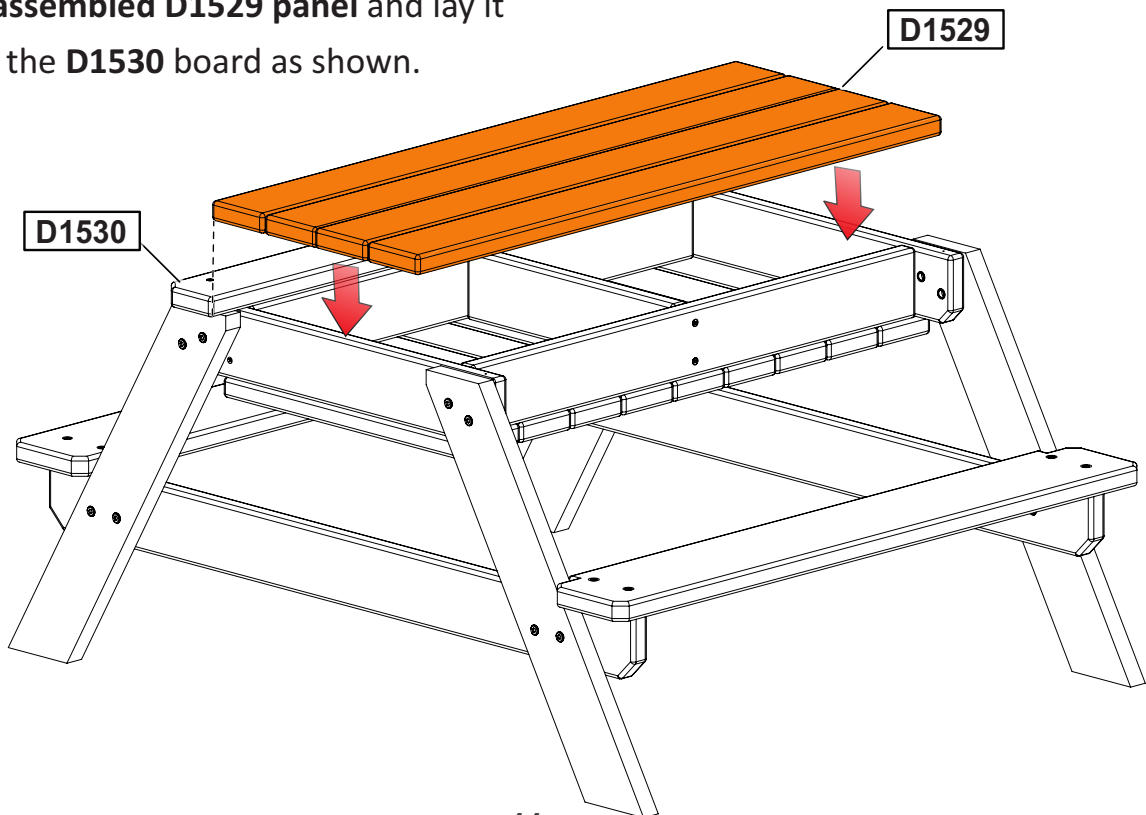
STEP 11

Attach **D1530** board as shown, pay close attention to the location of the pre-drilled pilot holes.



STEP 12

Line up **pre-assembled D1529 panel** and lay it flush next to the **D1530** board as shown.



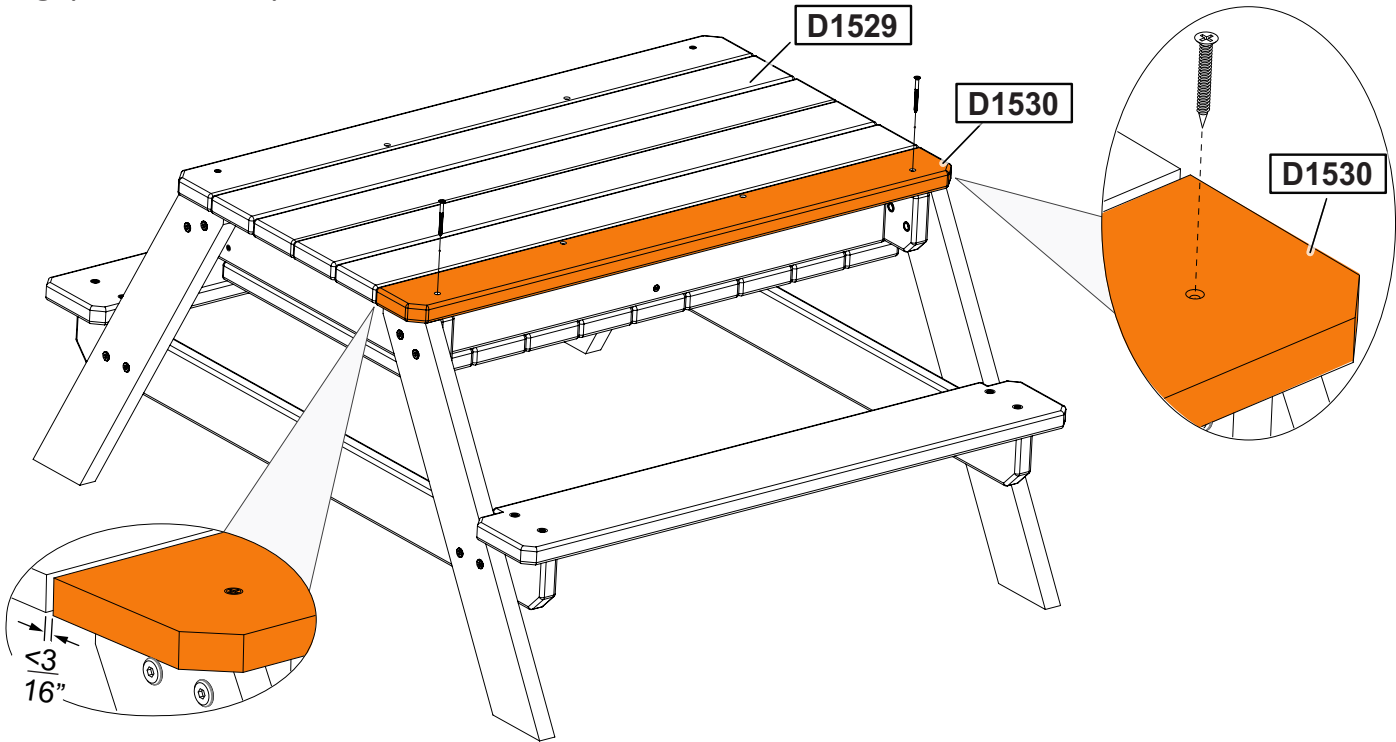
HARDWARE NEEDED (ACTUAL SIZE)



#8 X 2" WOOD SCREW
QTY. 2

STEP 13

Attach **D1530** board as shown leave less than $\frac{3}{16}$ " gap so that the panel **D1529** can be removed.



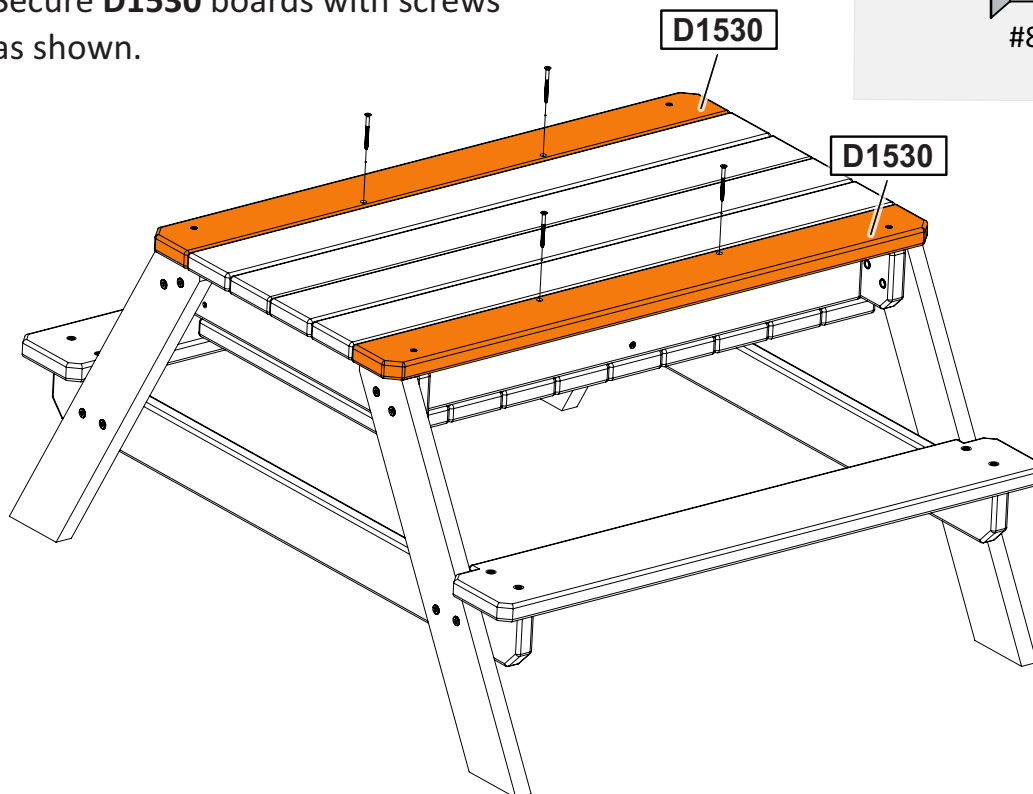
STEP 14

Secure **D1530** boards with screws as shown.

HARDWARE NEEDED (ACTUAL SIZE)



#8 X 2" WOOD SCREW
QTY. 4



STEP 15

Remove panel **D1529** and insert two **D1570** sand liners as shown.

Always cover the table with panel **D1529** when not in use.

