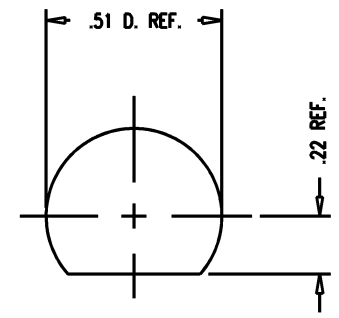
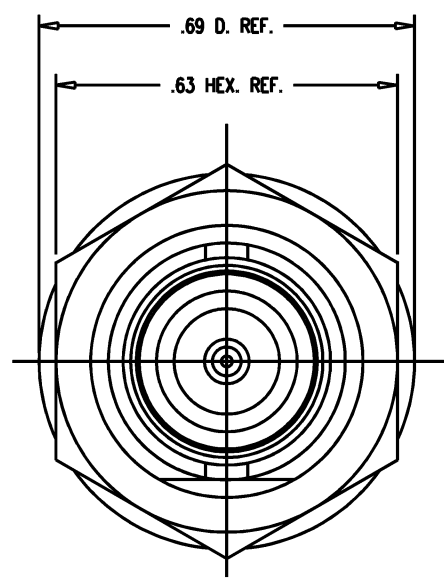
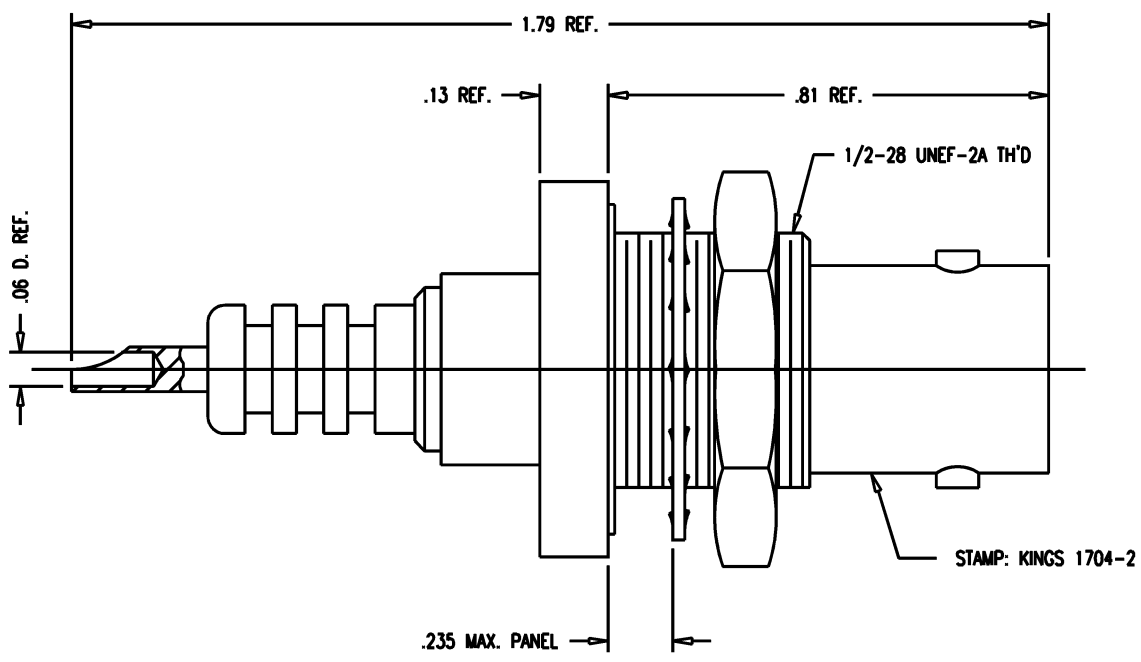


SD



MOUNTING HOLE

SD

1704-2

REVISIONS

ISSUE	CHANGES
4	CN 34186 C REDRAWN KH 11/06/92
5	CN 34316 C JCA 11/23/92
6	CN 37593 C MRM 03/11/98

1704-2C

SCALE 4:1

APPROX SURFACE AREA

USED ON

REF:

RECEPTACLE, BULKHEAD, SHV, M

DRAWN KH DATE 11/09/92

DESIGN LJ DATE 11/10/92

APPR. DATE

KINGS
ELECTRONICS CO., INC.
TUCKAHOE, NEW YORK 10707

1704-2

- NOTES:
- INTERFACE PER MIL-STD-348, FIG. 314-1.
 - MATERIALS:
INSULATOR: TEFLON, ASTM-D-1457
LOCKWASHER: PHOSPHOR BRONZE, QQ-B-750
GASKET: SILICONE RUBBER, ZZ-R-765
ALL OTHER METAL PARTS: BRASS, ASTM-B16
 - FINISHES:
CENTER CONTACT: GOLD PLATE PER MIL-G-45204
ALL OTHER METAL PARTS: KINGS TARNISH RESISTANT FINISH (TR-5)
 - ELECTRICAL CHARACTERISTICS:
NOMINAL IMPEDANCE: NON-CONSTANT
VOLTAGE RATING: 3500 VRMS
5000 VDC