

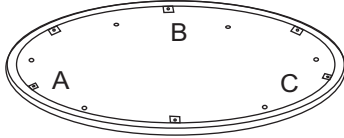
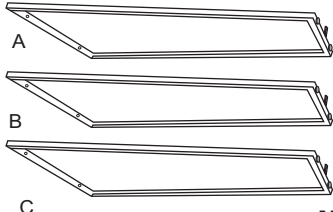
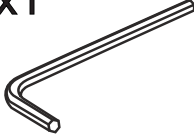
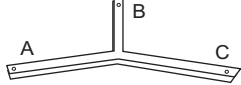
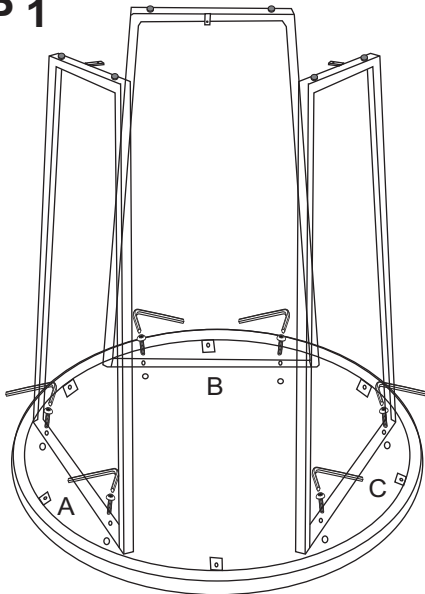


# ASSEMBLY INSTRUCTIONS

## SOLVAY MARBLE / METAL SIDE TABLE

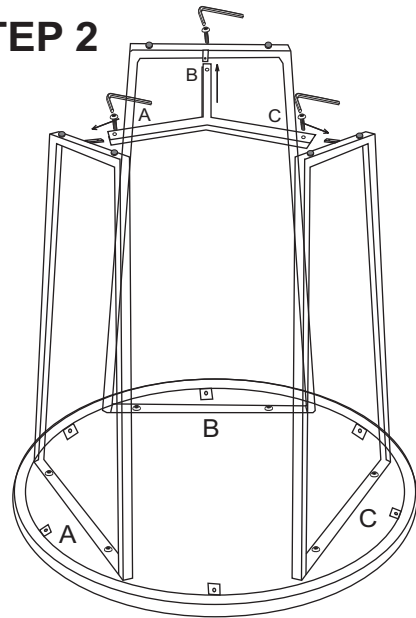
<p>x6</p>  <p>LARGE ALLEN SCREWS</p>	<p>x3</p>  <p>SMALL ALLEN SCREWS</p>	<p>x1</p>  <p>TABLE TOP</p>	<p>x3</p>  <p>METAL LEGS</p>
<p>x1</p>  <p>ALLEN KEY</p>		<p>x1</p>  <p>METAL 'Y'</p>	

### STEP 1



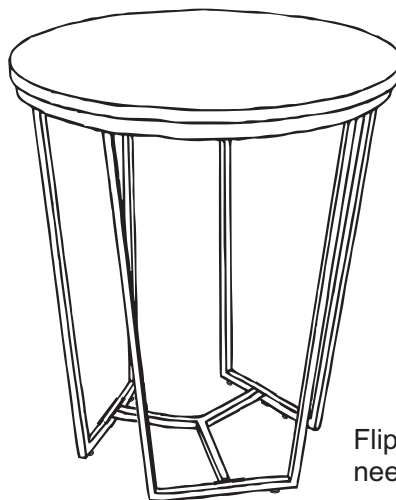
Align legs A,B & C, as indicated and fix the table top with the help of Large Allen screws. Partially tighten the screws approx 50%.

### STEP 2



Align Metal 'Y' as indicated and secure with help of small Allen screws. Ensure all screws(Y & screws on table top) are fully tightened.

### ASSEMBLED



Flip the table and adjust the Levellers if needed to balance on floor.