

iPORT

VESA MOUNT INSTALLATION GUIDE

More info at iportproducts.com

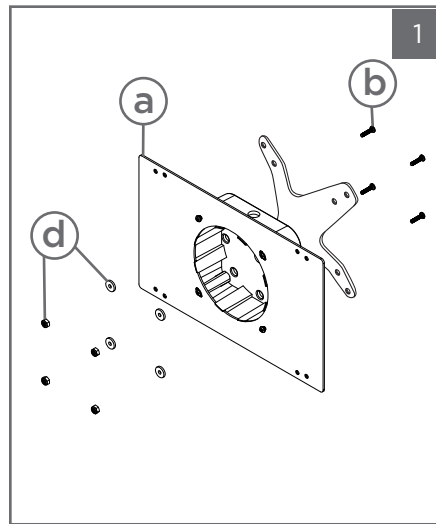
Box Contents

- (1) Installation Guide
- (1) Mounting Bracket (a)
- (4) Mounting Screws #6-32 x 5/8 IN Pan Head (b)
- (4) Bezel Mounting Screws #6-32 x 1/4 IN Flat Head (c)
- (4) #6-32 Nut and Washers (d)

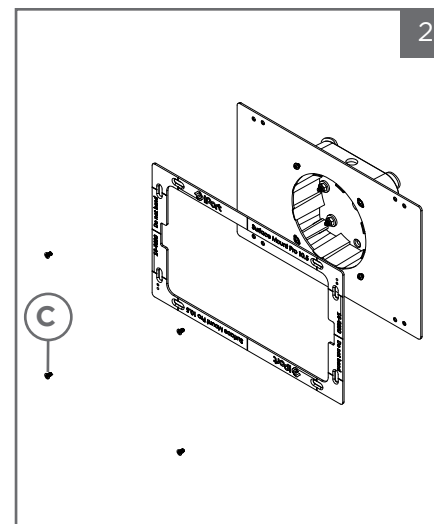
System Components

(Sold Separately)

- (1) Surface Mount Bezel (e)
- (1) PoE Splitter (70718) (f)
- (1) PoE Injector (70719) (g)

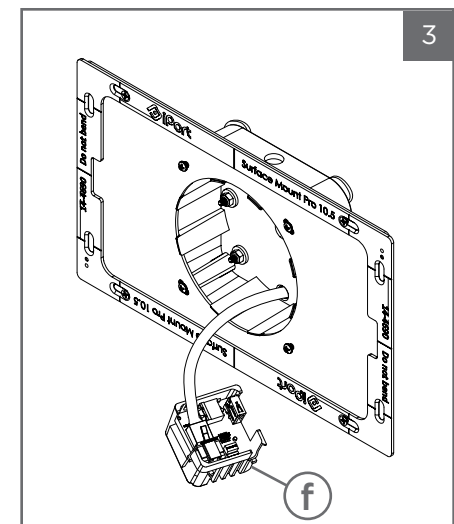


Take the 4 provided #6-32 x 5/8 IN Pan Head screws (b) along with the provided washers and nuts (d) and attach the VESA mounting bracket (a) into your desired Vesa Mount as shown.

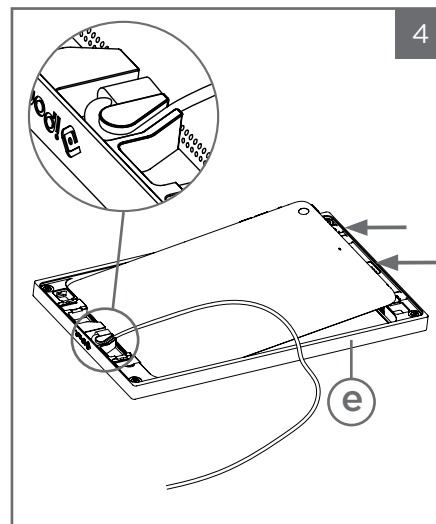


Use the 4 provided #6-32 x 1/4 IN Flat Head screws to mount the surface mount bezel (found on the back of the Surface Mount Bezel (e) sold separate) to the Vesa mounting bracket (a).

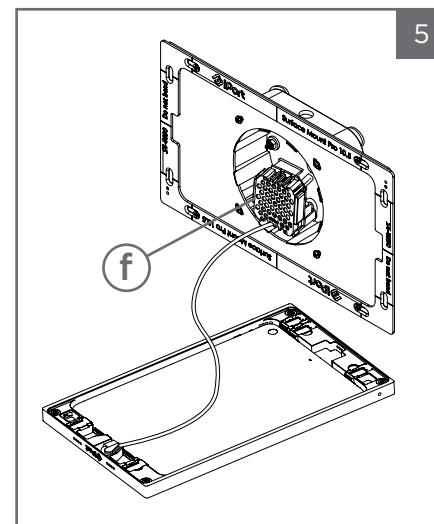
Note: Use the outer most holes for use with a 10.5" Surface Mount and use inner most holes for a Surface Mount Air.



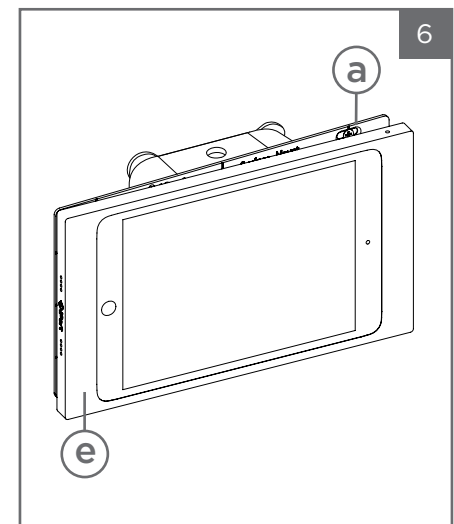
Insert a cat5/6 cable through the 5/8 IN hole in the side of the VESA Box and connect the iPort Splitter (f) (Sold Separately)



Plug in the iPad's lightning to USB cable directly into the iPad. Position the iPad facedown into the bezel (e) with the iPad cable on the left. Carefully wrap the iPad cable around the metal loop located on the bezel. To lock the iPad in place, use a flat head screwdriver to deploy the second and third toggles located on the right side of the Surface Mount bezel. The first top-right toggle is a power button extension.



Connect the appropriate power source identified in the Power and Wiring Guide (found in PoE splitter (f) box). Place the PoE splitter into the VESA mount box with the iPort logo facing out.



Position the iPad home button facing left or right depending on your desired orientation. The Surface Mount will attach to the mounting bracket (b) with internal magnets that will securely hold it in place.