

ASSEMBLY INSTRUCTION

ITEM: 6700-75200B-98 Trestle Dining Table Base
6700-75200T-80 Trestle Dining Table Top

Thank you for purchasing this quality product. Be sure to unpack carefully looking for small parts which may have come loose during shipment.

Read all instruction and study the drawing carefully before starting the assembly process.

HARDWARE PACK

PART LIST











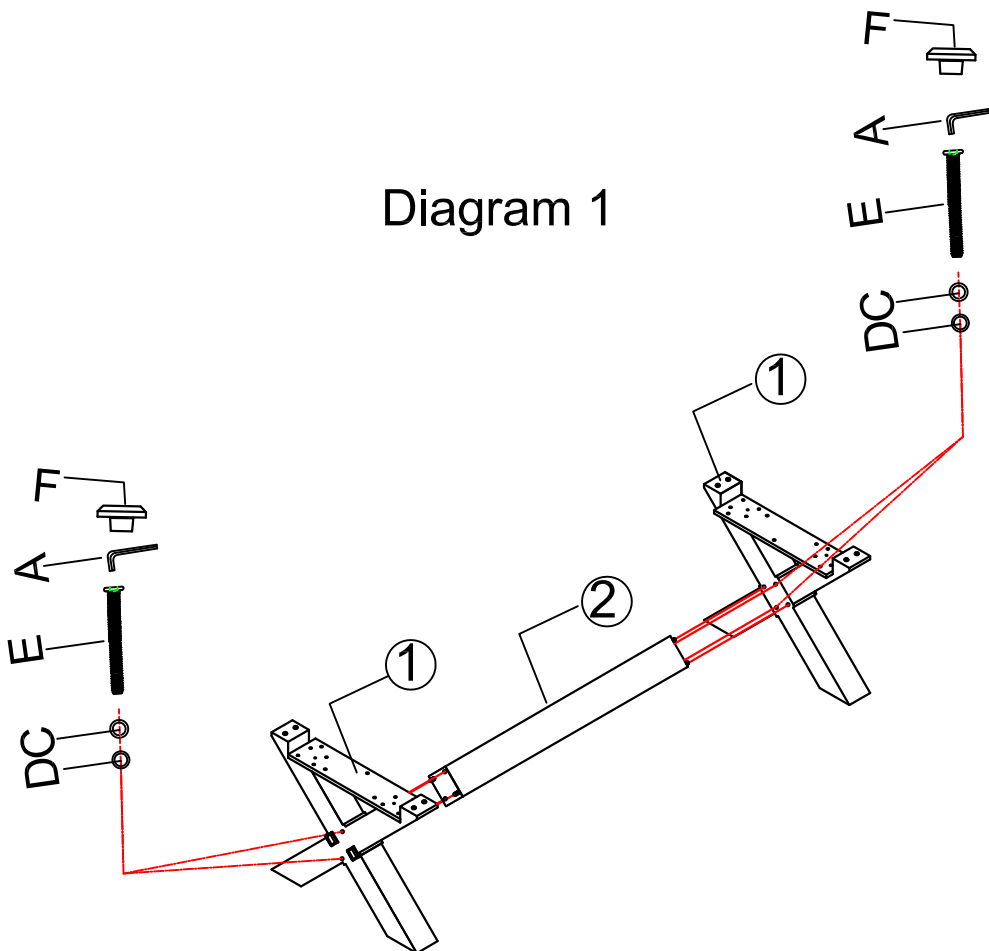
NO.	DRAWING	DESCRIPTION	SIZE	Q'TY	NO.	DRAWING	DESCRIPTION	Q'TY
A		Allen Wrench	108*76*5mm	1PC	①		Base	2PCS
B		Bolt	$\frac{5}{16}$ "*35mm	10PCS	②		Stretcher	1PC
C		Lock Washer	$\frac{5}{16}$ "	14PCS	③		Top	1PC
D		Flat Washer	$\frac{5}{16}$ "	14PCS	④		Leaf	2PCS
E		Bolt	$\frac{5}{16}$ "*100mm	4PCS				
F		Wood Cap	52*52*27mm	4PCS				

Diagram 1

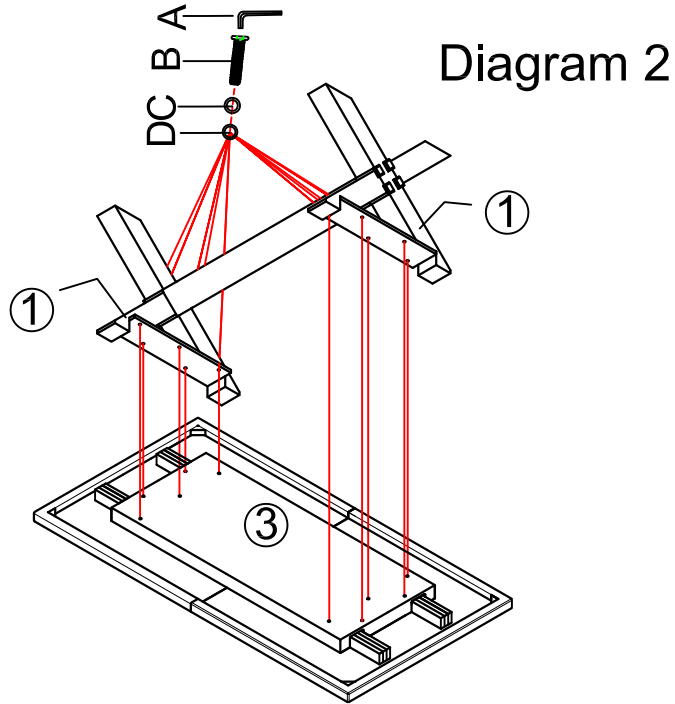


Step 1: Attach stretcher (2) between the two bases (1), then use the wood caps (F) to cover the bolts (E).

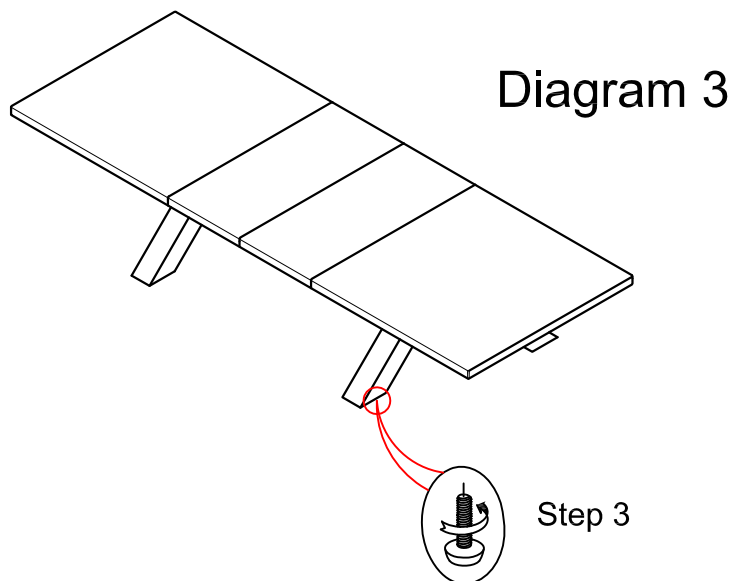
ASSEMBLY INSTRUCTION

ITEM: 6700-75200B-98 Trestle Dining Table Base
6700-75200T-80 Trestle Dining Table Top

Thank you for purchasing this quality product. Be sure to unpack carefully looking for small parts which may have come loose during shipment.
Read all instruction and study the drawing carefully before starting the assembly process.



Step 2: Attach the base to the top (3).

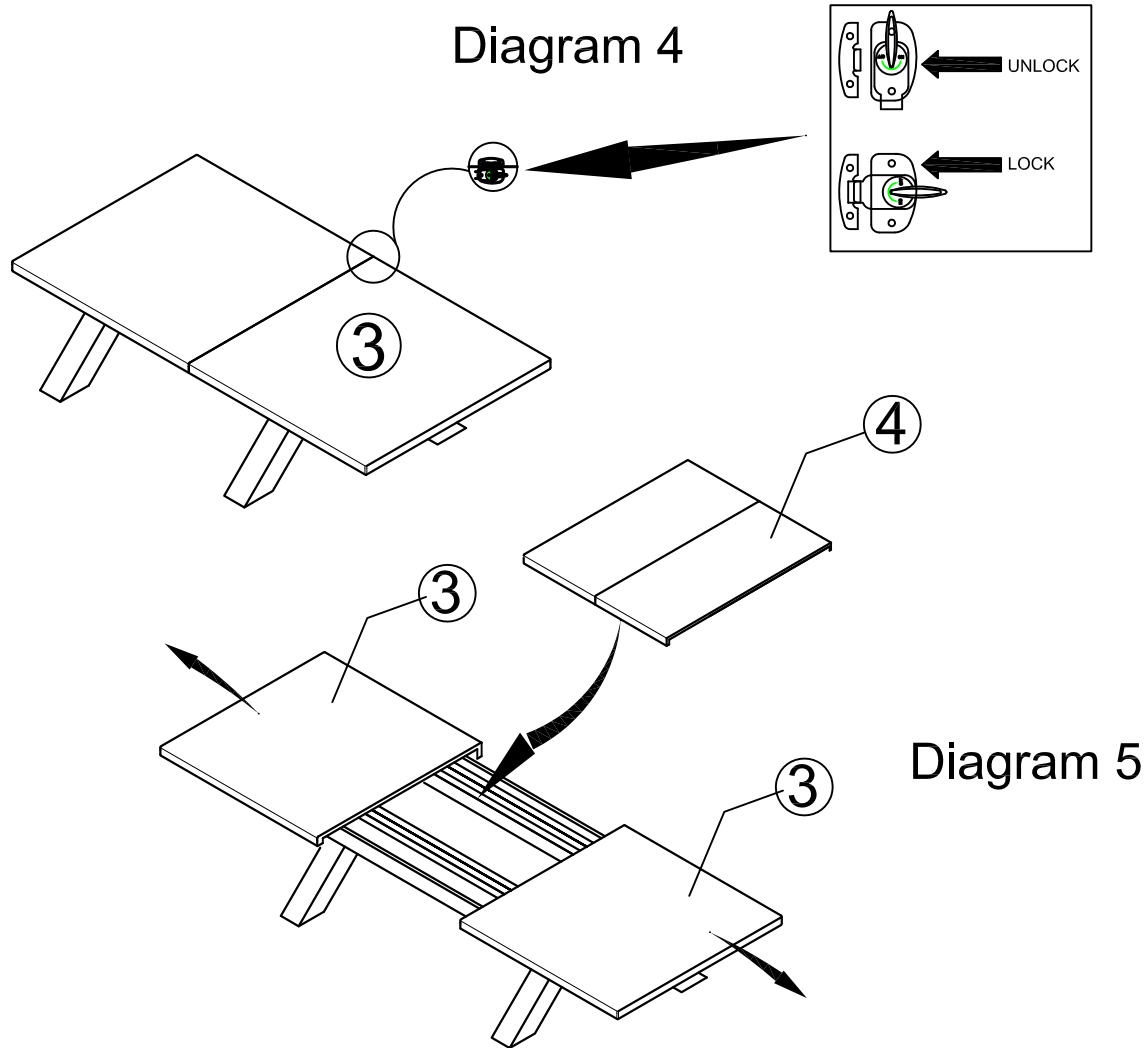


Adjust Leveler if needed
to level table on uneven
floor.

ASSEMBLY INSTRUCTION

ITEM: 6700-75200B-98 Trestle Dining Table Base
6700-75200T-80 Trestle Dining Table Top

Thank you for purchasing this quality product. Be sure to unpack carefully looking for small parts which may have come loose during shipment.
Read all instruction and study the drawing carefully before starting the assembly process.



Instruction for table leaves:

1. There are latches at the bottom of table top, unlock the latches as shown in Diagram 4 above.
2. Pull out table top as the arrow direction shown in Diagram 5.
3. Place table leaves (4) between table tops and push table tops together.
4. Lock the latches. (See Diagram 4)
5. Take opposite actions to remove table leaves.