

Figure 1

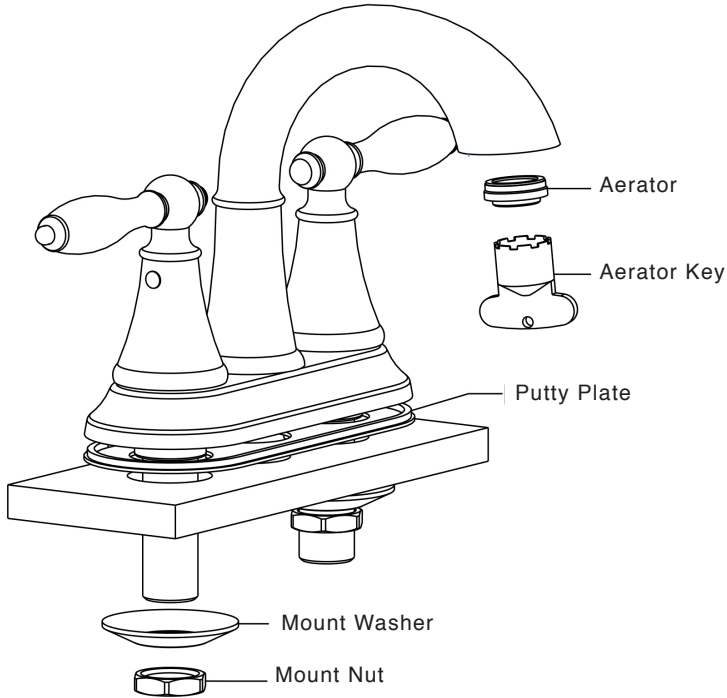
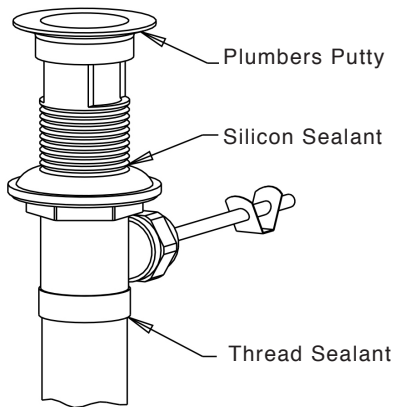


Figure 2



TIMELESS™

Lavatory Faucet (With Pop-Up)

81511 - Lavy with Pop-Up, CH

81512 - Lavy with Pop-Up, BN

81513 - Lavy with Pop-Up, ORB

INSTALLATION INSTRUCTIONS:

1. Mount unit with putty plate on lavatory basin with holes 4" on centers
2. Assemble and secure mounting washers and nuts. (**DO NOT OVER TIGHTEN MOUNTING NUTS**)
3. Assemble and secure supply lines (**DO NOT OVER TIGHTEN SUPPLY LINE NUTS**)
4. Remove aerator using aerator key and flush thoroughly to remove line trash
5. Check for leaks and at all joints
6. When assembling pop-up drain assembly to sink, apply plumbers putty to bottom of flange, silicon sealant between mack washer and threads. Apply thread sealant to tailpiece threads. Refer to figure 2

PRODUCT SPECS AND STANDARDS:

DESCRIPTION:

- Cast brass body with 1/2" IPS threads
- Surface thickness 1-1/2" maximum
- Three (1-1/4" min to 1-5/8" max DIA.) Holes 2" on centers (4" between Hot and Cold)

OPERATION:

- Requires less than 5LB force to operate valve
- Flow adjustment: 90° turn from full off to full on
- 1.2 GPM (4.5 L/min)Aerator

CARTRIDGE:

- Two handle short ceramic disc brass cartridge

STANDARDS:

- IAPMO/UPC Certified:
- ASME A112.18.1-2012/CSA B 125.1-12
- NSF/ANSI 61-2012
- NSF/ANSI 372-2011 (Lead Free)
- Watersense approved
- ADA Compliant

WARRANTY:

- 100 Year drip-free warranty
- Product to be free of defects in material or workmanship

CLEANING INSTRUCTIONS

Use only a clean, soft cloth, water, and mild hand soap to clean unit.

WARNING: Do NOT use abrasive cleaners, chemicals, or abrasive cleaning pads to clean fixture. A very hard protective coating has been applied to this product to maintain its appearance, but this product could be damaged with improper cleaning. Failure to follow cleaning instructions will void product warranty.

PRODUCT WARRANTY

Wolverine Brass faucets have been manufactured to our high quality standards and workmanship. **The warranty covers defects in materials and/or workmanship to the original purchaser/home owner (warranty is not transferable to another person).** The faucet is warranted to remain drip-free during normal use. All parts and finishes will be free from manufacturing defects. With the exception of items listed below, this product has a limited warranty against defects in materials or workmanship for a period of 1 year from the date of purchase. The warranty is voided if the product is found to be misused or the following cleaning instructions were not followed. Damage due to accidents or installation is not warranted.

1. Faucet valve cartridges have a limited warranty for a period of 100 years from the date of purchase. This date is stamped on the valve cartridge
2. Product finish has a limited warranty for a period of 100 years from the date of purchase. Failure to follow the cleaning instructions listed below voids all finish warranty. Damage due to accidents or installation is not warranted.

This warranty covers replacement of cartridges, parts and finish only. It does not include labor charges and/or damage incurred during installation.

Wolverine Brass will provide free of charge all parts and cartridges found to be covered under the warranty; any part that proves defective in material and/or workmanship under normal installation, use and service. Finish warranty is not covered if finish is exposed to extreme use of cleaners containing abrasives and alcohol, extreme cleaning, extreme chemical use, or any damage due to abuse or neglect (Oil Rubbed Bronze finish is warranted for 1 year).

**Please see cleaning instructions provided with each faucet. This warranty excludes all industrial, commercial, and business usage of faucets and only pertains to single dwelling residential use. Faucets used for other than single dwelling residential use are covered by a 1-year limited warranty from the date of purchase.

CALIFORNIA PROP. 65

WARNING: Plumber, California law requires that this warning be given to the customer. Under federal guidelines set forth by the Safe Drinking Water Act, the U.S. Environmental Protection Agency enforces limits on the amount of lead used in brass and solder for plumbing products. This faucet, along with any other brass components of a water system (e.g. other faucets, water meters), as well as lead based solder joints can contribute detectable amounts of lead to water that is allowed to stand in them for prolonged duration. To reduce the exposure to lead from any brass faucet we suggest that you: **ALWAYS RUN WATER FOR A FEW SECONDS TO CLEAR THE STANDING WATER IN YOUR FAUCET. ALSO, WASH HANDS AFTER INSTALLATION, REPAIR, OR REMOVAL OF THIS PRODUCT.**

WARNING: THIS FAUCET CONTAINS LEAD, A CHEMICAL KNOWN TO CAUSE BIRTH DEFECTS OR OTHER REPRODUCTIVE HARM. Should you wish to have your water tested, there are many private laboratories certified by the U.S. E.P.A. or your state E.P.A. that can do such testing.