

ASSEMBLY INSTRUCTIONS

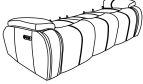




BROOKINGS COLLECTION

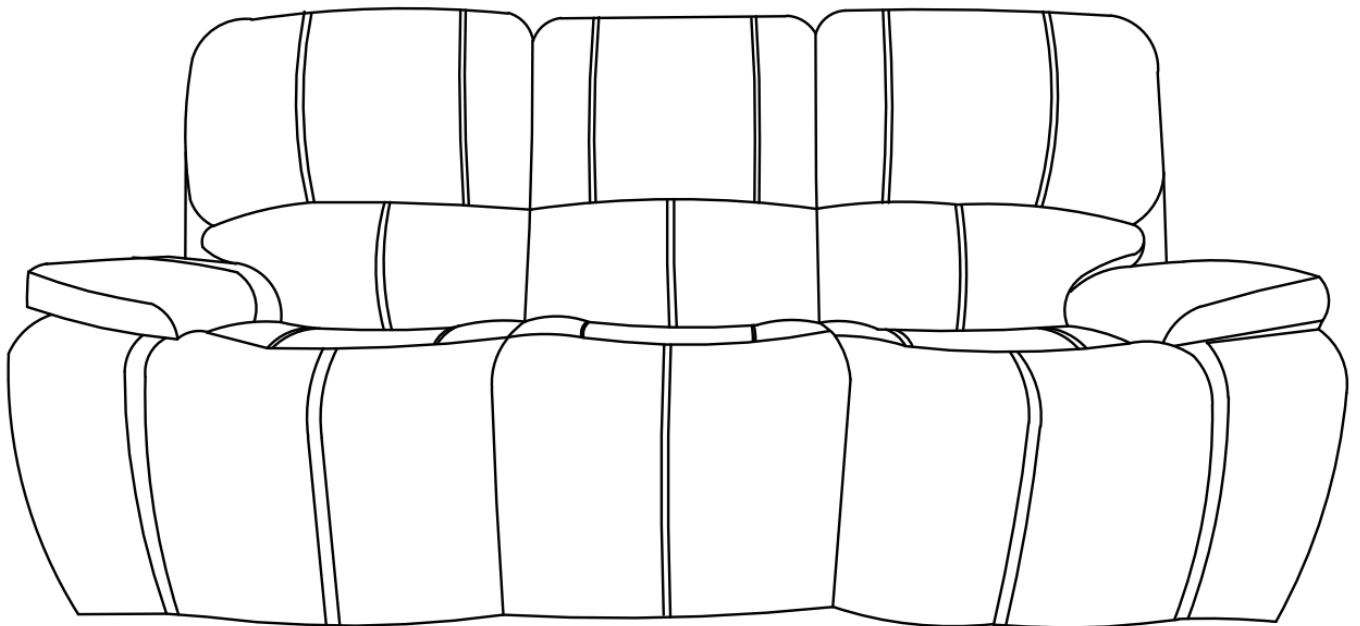
ITEM#: U093-30P1

DESCRIPTION : BROOKINGS SOFA W/PWR FR

Thank you for purchasing this quality product. Be sure to check all packing materials carefully for small parts, which may have come loose during shipment. Identify and count all items and compare with the parts list shown below. It is recommended to have two people during assembling and to remove the back and base of the furniture out from the box. **Please follow the drawings below to assemble the item**

Parts List

NO.	DESCRIPTION	SKETCH	Q'TY
A	Seat		1 PC
B	Left Side Facing (LSF) backrest		1 PC
C	Middle backrest		1 PC
D	Right Side Facing (RSF) backrest		1 PC
E	Transformer		1 PC



All images shown are for illustration purpose only.
Actual product may vary due to product enhancement.

ASSEMBLY INSTRUCTIONS

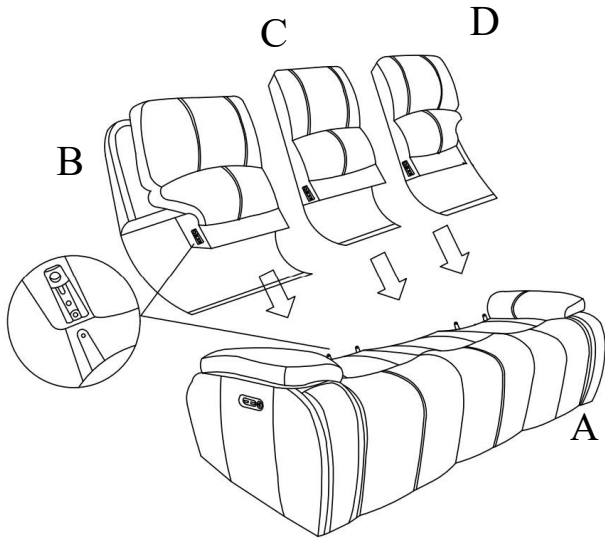
BROOKINGS COLLECTION

ITEM#: U093-30P1

DESCRIPTION : BROOKINGS SOFA W/PWR FR

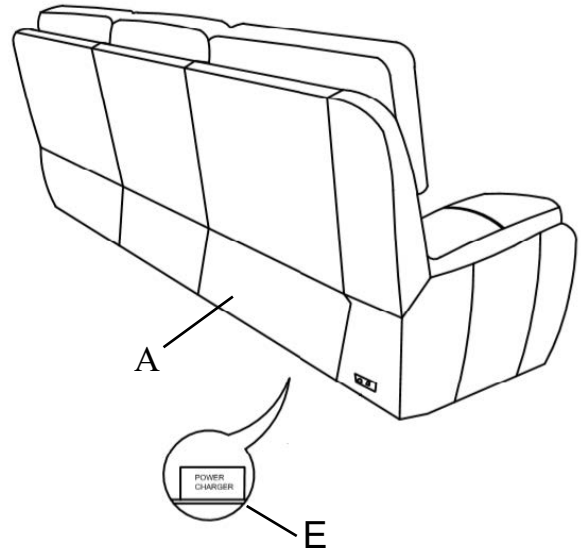
Step 1:

Attach the LSF/ middle/ RSF backrests (B/C/D) to the Seat (A).



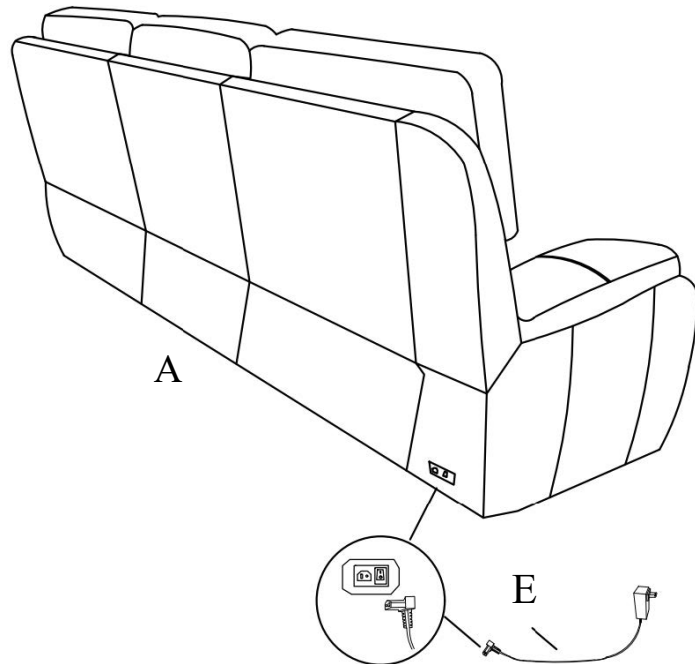
Step 2:

Locate the transformer at the bottom of the seat (A). Connect the transformer (E) to the power socket on seat (A).



Step 3:

Connect the transformer (E) to the power socket on seat (A).



All images shown are for illustration purpose only.
Actual product may vary due to product enhancement.

ASSEMBLY INSTRUCTIONS

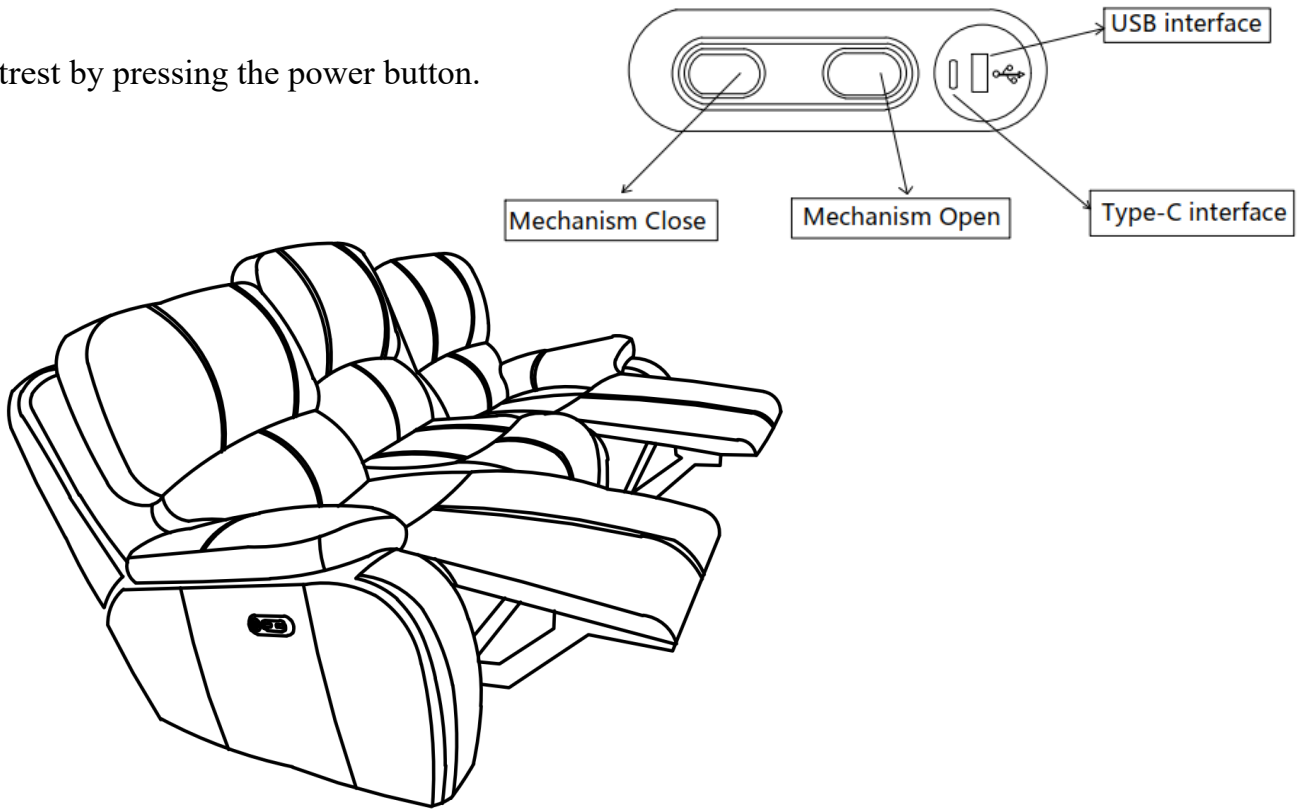
BROOKINGS COLLECTION

ITEM#: U093-30P1

DESCRIPTION : BROOKINGS SOFA W/PWR FR

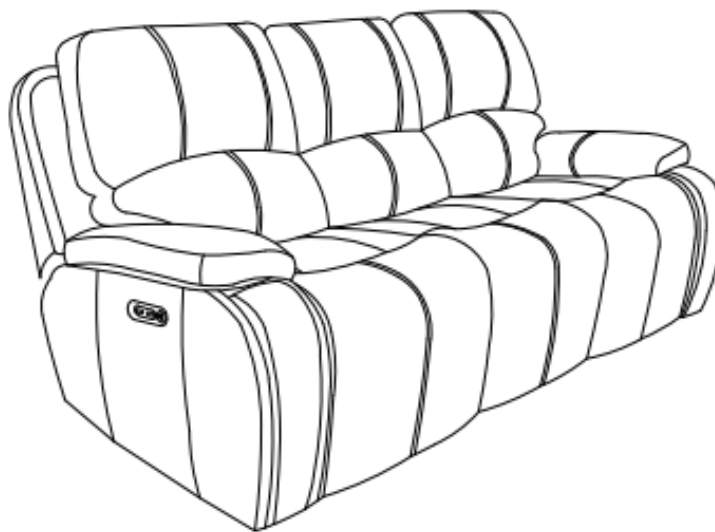
Step 4:

Open the footrest by pressing the power button.



Step 5:

Assembly completed.



All images shown are for illustration purpose only.
Actual product may vary due to product enhancement.