

Assembly Guide



Bush
FURNITURE

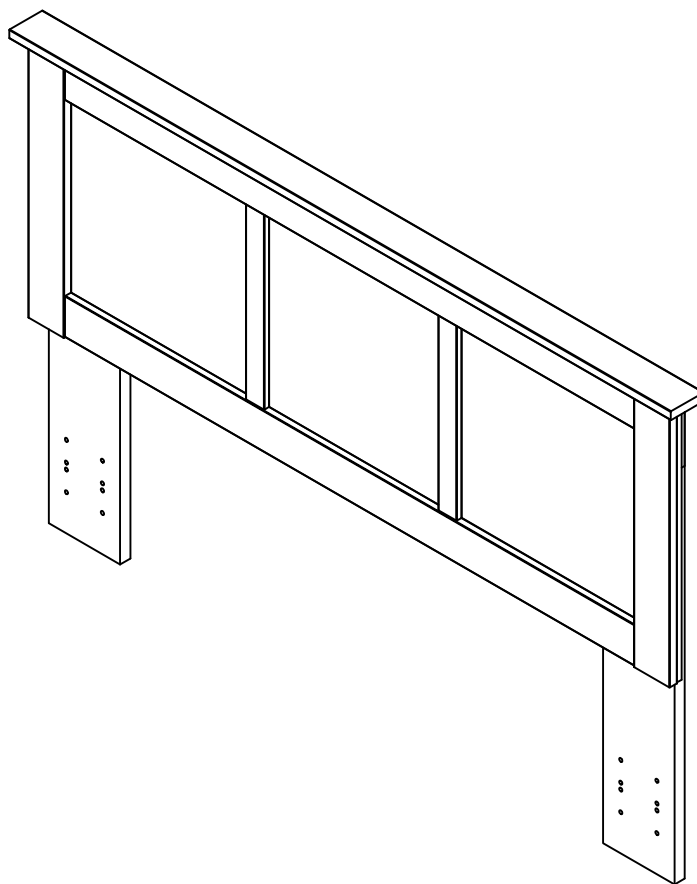


If you're having any difficulty during assembly of this product, don't hesitate to call us at **1-800-950-4782.**

Our customer service experts are trained to provide step-by-step instruction and can easily replace any missing or damaged parts.

Representatives are available Monday-Friday from 8:30 a.m. to 7:30 p.m. (ET)

Full / Queen Headboard



Lot Code #

Part Number A183846B

Keep manual for future reference.

For best results, keep these tips in mind:

- ① We know you want to finish this assembly as quickly as possible, but trust us: you'll have a better experience if you take it one step at a time.
- ② Give yourself some room to work near where you want the fully assembled product.
- ③ If your floor isn't carpeted, assemble this product on the empty carton to avoid scratching.
- ④ Do you have a friend who owes you a favor? Some steps may go a little easier with a second set of hands.

DOs

- ✔ Use a #2 Phillips head screwdriver (or other handheld tools as indicated)
- ✔ Wear safety glasses at all times during assembly
- ✔ Carefully follow the instructions in this guide and complete all steps in order
- ✔ Give us a call if you're having trouble with a particularly tricky step

DON'Ts

- ✘ We know power tools are quick and easy, but you shouldn't use them when assembling this product (unless otherwise specified)
- ✘ Never move your furniture with items inside or resting on the surface
- ✘ Do not attempt to use this product before all steps have been completed



Watch assembly videos right on your phone or computer!



Some steps include QR codes that link to helpful videos. Watch out for the icon on the left! Simply open up your smartphone camera to scan the code.

(Users of older smartphones may need to install a QR Reader.)

SCAN HERE



FOR VIDEOS

Or visit <https://www.bushfurniture.com/CustomerService/HowtoAssemble.aspx>

IMPORTANT SAFETY INFORMATION



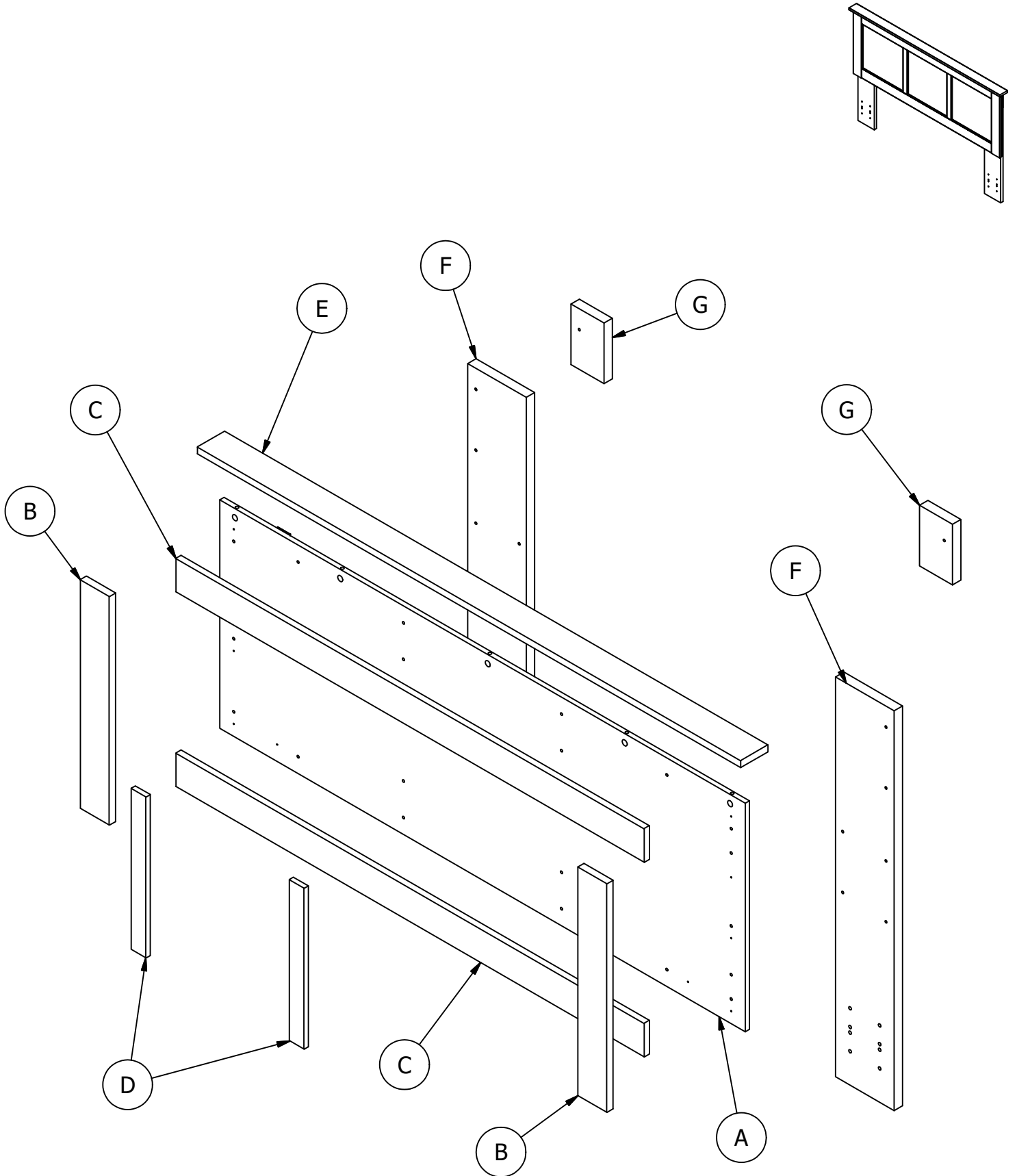
PLEASE READ WARNINGS

Improper use can cause safety hazards, or damage to your furniture and household items.

Warning	Do	Don't	Why it's important
Death or Serious injury may occur.	<ul style="list-style-type: none">Assemble following all instructions using all indicated parts and hardware provided.If headboard is adjustable, choose height based on your mattress such that gap between top of mattress and bottom of headboard is less than 1 inch (25mm).		<ul style="list-style-type: none">Improper assembly, use or loading can lead to product instability, tip-over or collapse.Failure to assemble adjustable height headboards to the proper gap (less than 1 inch or 25mm) could lead to head entrapment or strangulation in very young children.

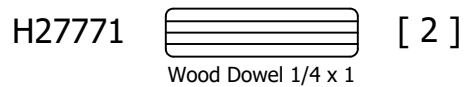
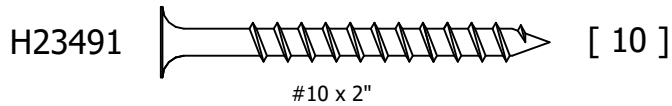
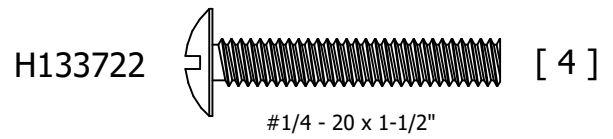
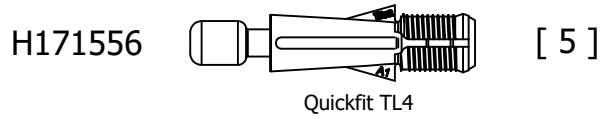
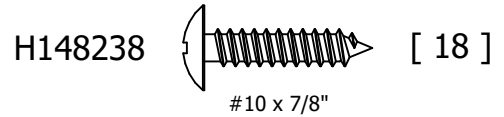
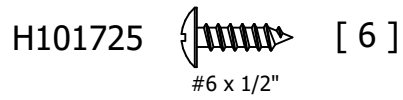
Advertencia	Hacer	No	Por qué es importante
Se pueden producir lesiones graves o la muerte.	<ul style="list-style-type: none">Ensamble siguiendo todas las instrucciones utilizando todas las piezas y ferretería indicados provistos.Si la cabecera es ajustable, elija la altura en función de su colchón, de modo que el espacio entre la parte superior del colchón y la parte inferior de la cabecera sea inferior a 1 pulgada (25 mm).		<ul style="list-style-type: none">El ensamblaje, uso o carga inadecuados pueden provocar inestabilidad del producto, vuelco o colapso.Si no se ensamblan los cabeceros de altura ajustable en el espacio adecuado (menos de 1 pulgada o 25 mm), los niños muy pequeños podrían quedar atrapados o estrangulados.

Avertissement	Faire	Ne le fais pas	Pourquoi c'est important
Des blessures graves ou la mort peuvent survenir.	<ul style="list-style-type: none">Assemblez en suivant toutes les instructions en utilisant toutes les pièces et le matériel indiqués fournis.Si la tête de lit est réglable, choisissez la hauteur en fonction de votre matelas de sorte que l'espace entre le haut du matelas et le bas de la tête de lit soit inférieur à 1 pouce (25 mm).		<ul style="list-style-type: none">Un assemblage, une utilisation ou un chargement incorrects peuvent entraîner une instabilité du produit, un renversement ou un effondrement.Le fait de ne pas assembler les têtes de lit à hauteur réglable à l'espace approprié (moins de 1 pouce ou 25 mm) peut entraîner un coincement de la tête ou un étranglement chez les très jeunes enfants.



Have an assembly question or need a replacement part? Just call
1-800-950-4782, we are here to help.

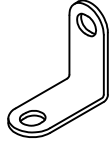
Fasteners are shown actual size.



Have an assembly question or need a replacement part? Just call
1-800-950-4782, we are here to help.

Hardware not to scale.

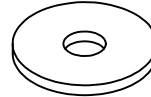
H67187



[3]

Angle Bracket

H29825



[8]

Washer



[8]

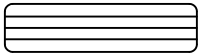
8mm

STEP 1

Prepare Panel

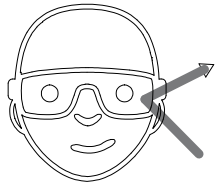
A183846B

H27771

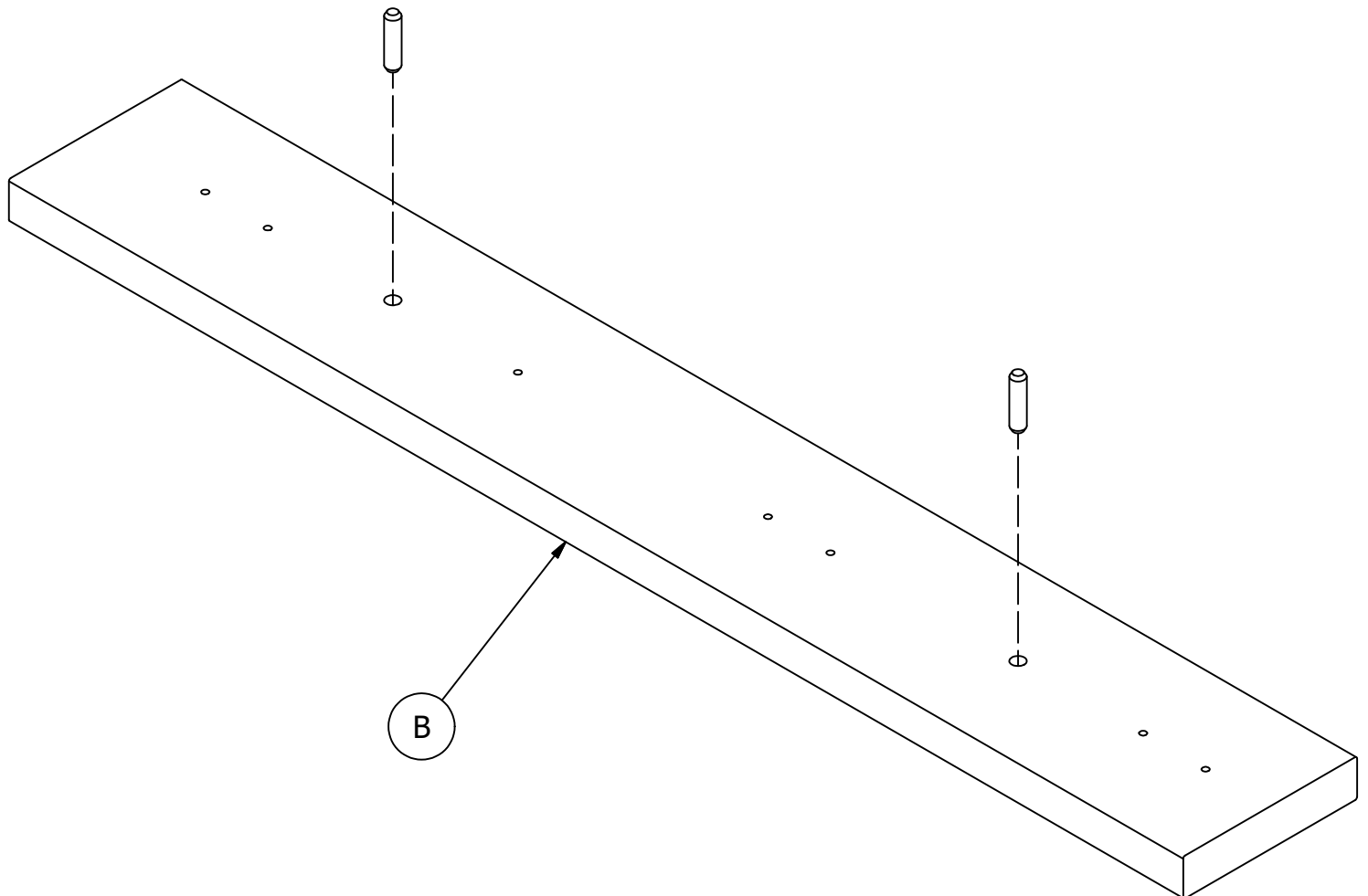
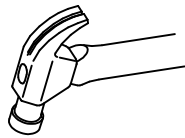


[2]

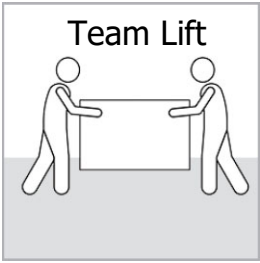
Wood Dowel 1/4 x 1



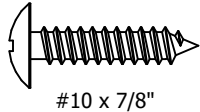
Safety glasses
Gafas de seguridad
Lunettes de protection



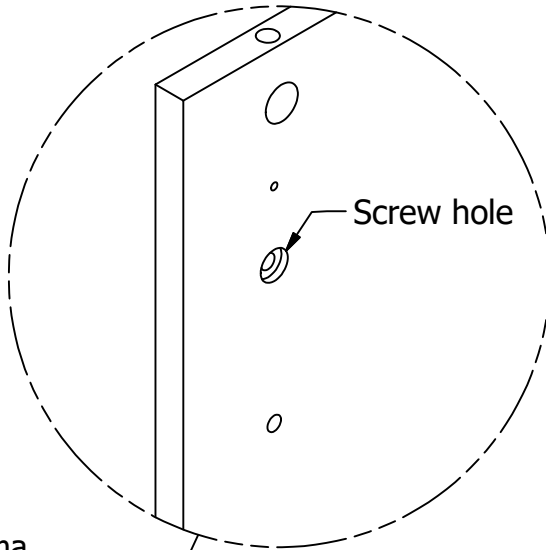
Have an assembly question or need a replacement part? Just call
1-800-950-4782, we are here to help.



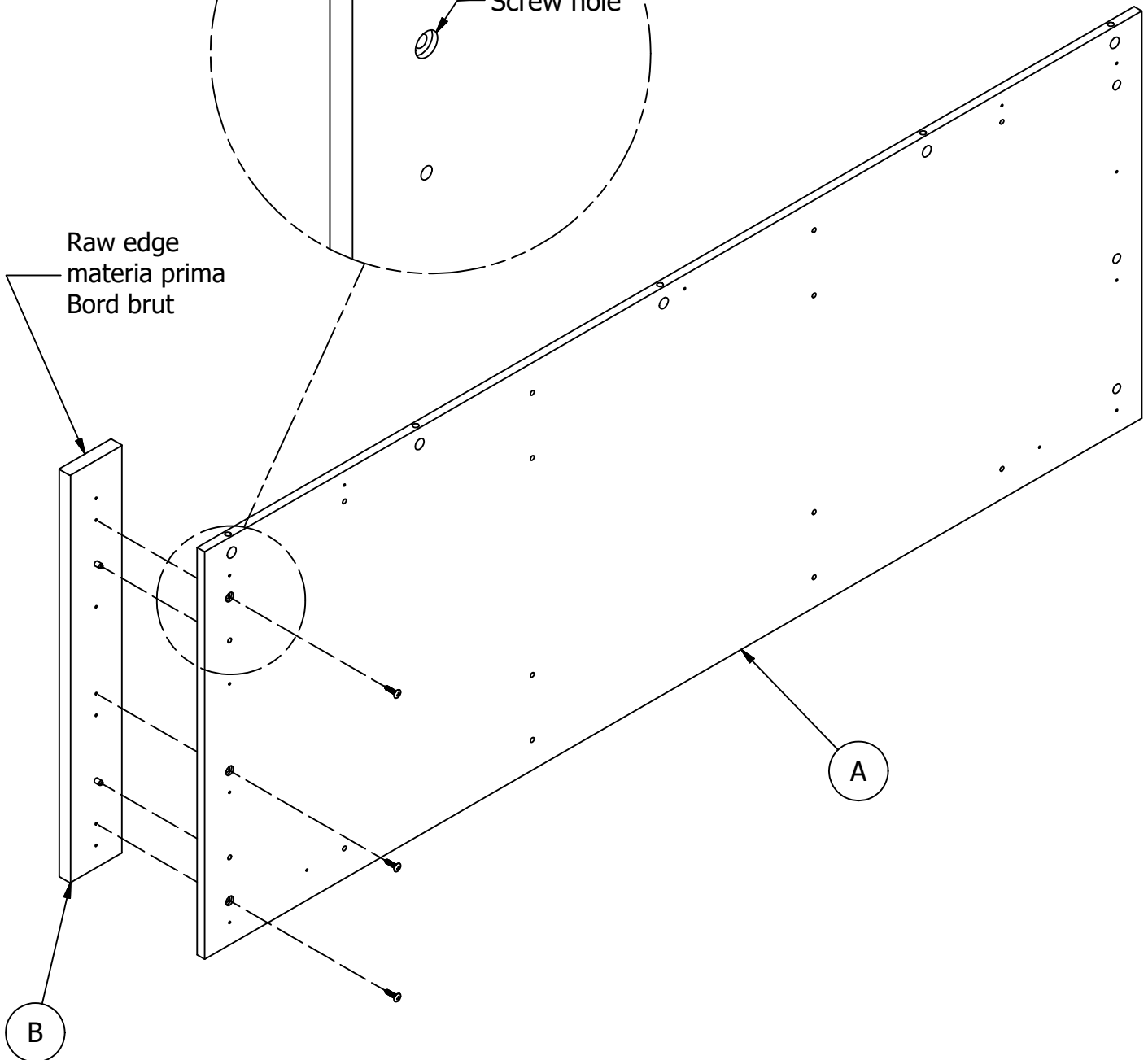
H148238



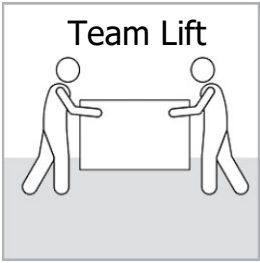
[3]



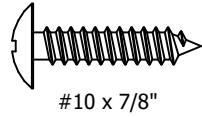
Raw edge
materia prima
Bord brut



Have an assembly question or need a replacement part? Just call
1-800-950-4782, we are here to help.

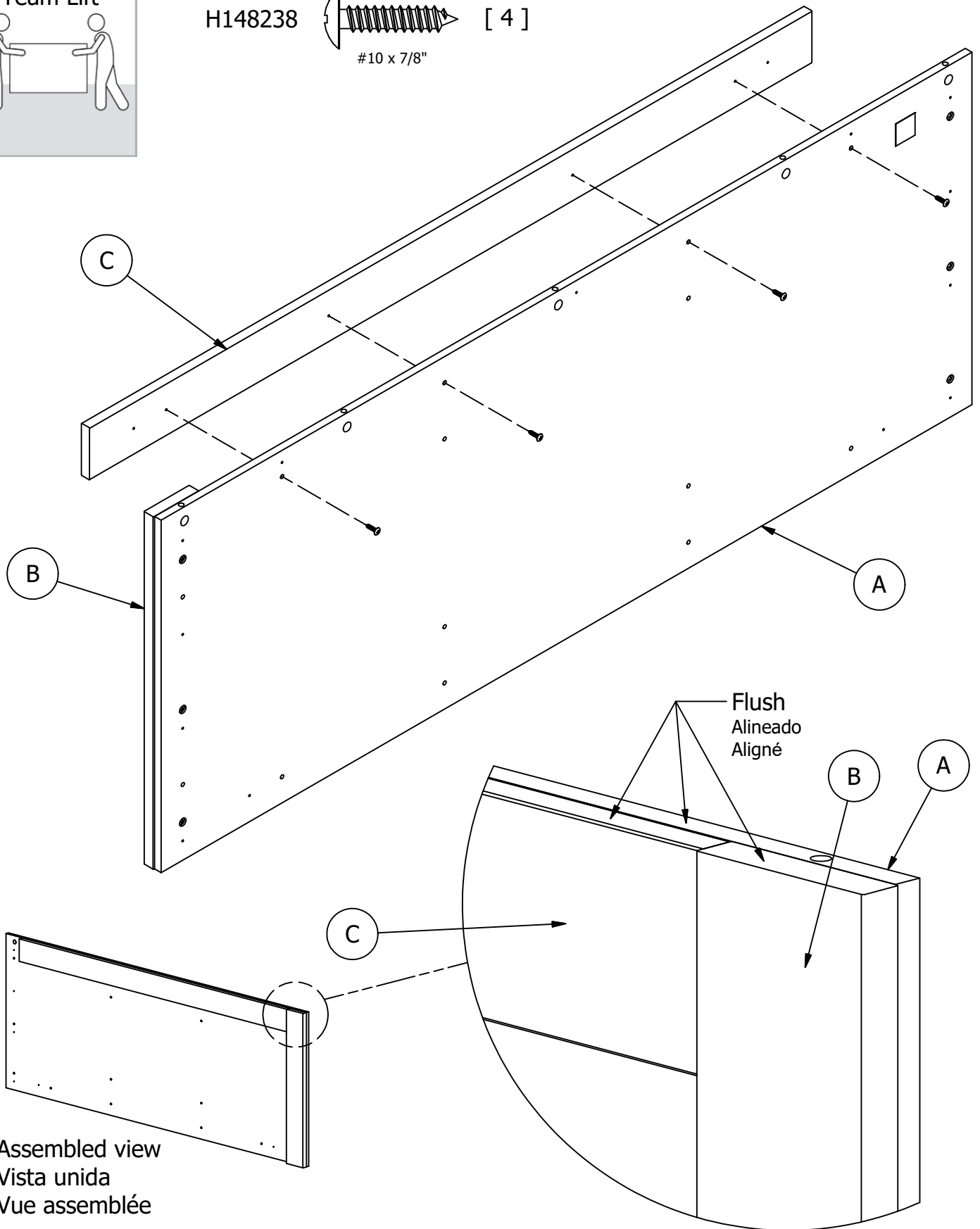


H148238



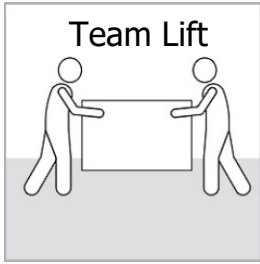
[4]

#10 x 7/8"

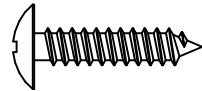


Assembled view
Vista unida
Vue assemblée

Have an assembly question or need a replacement part? Just call
1-800-950-4782, we are here to help.

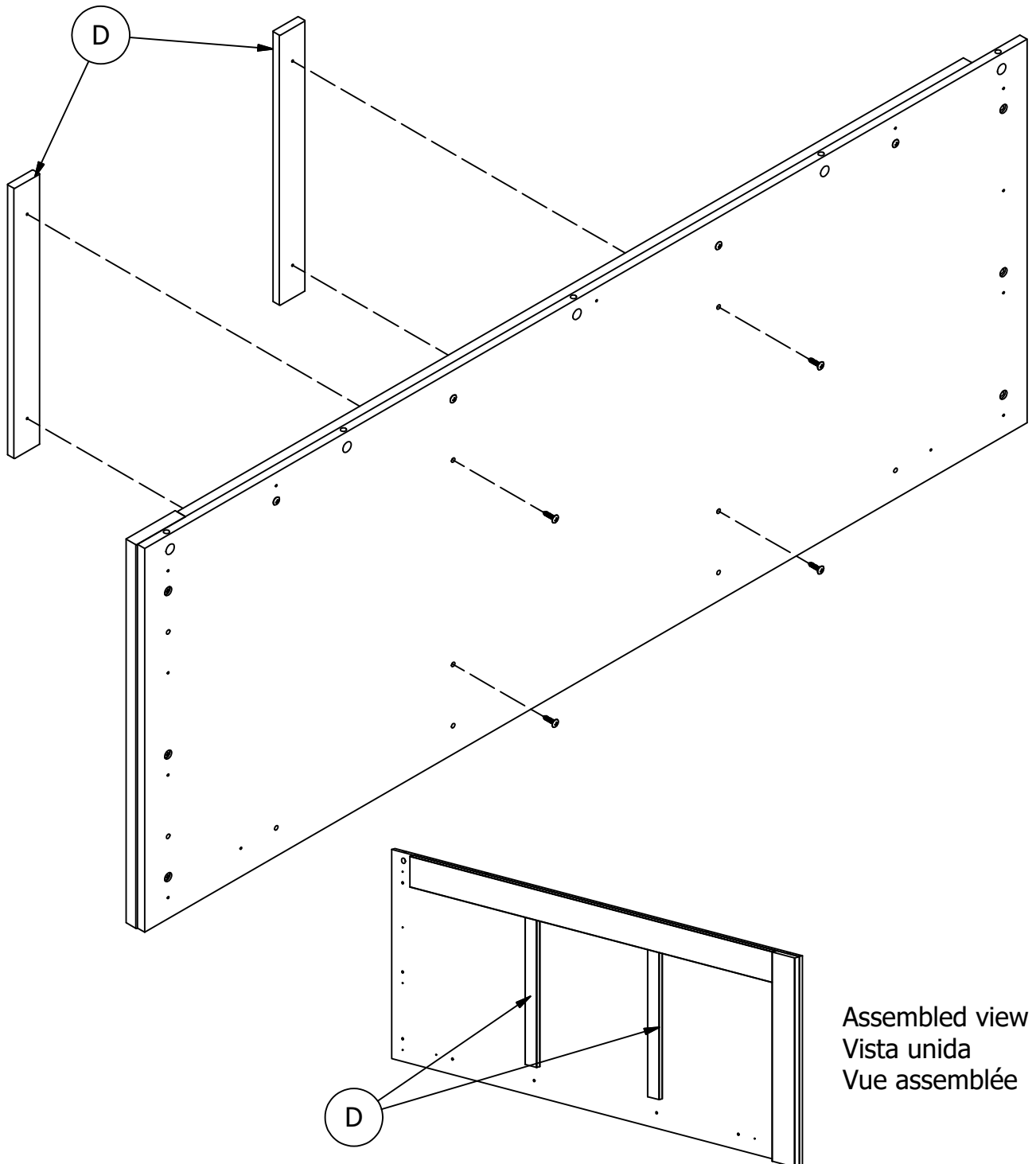


H148238

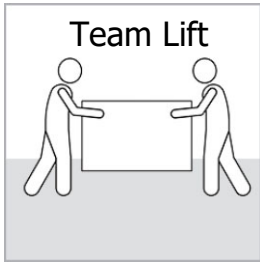


[4]

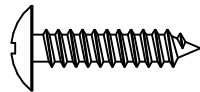
#10 x 7/8"



Have an assembly question or need a replacement part? Just call
1-800-950-4782, we are here to help.

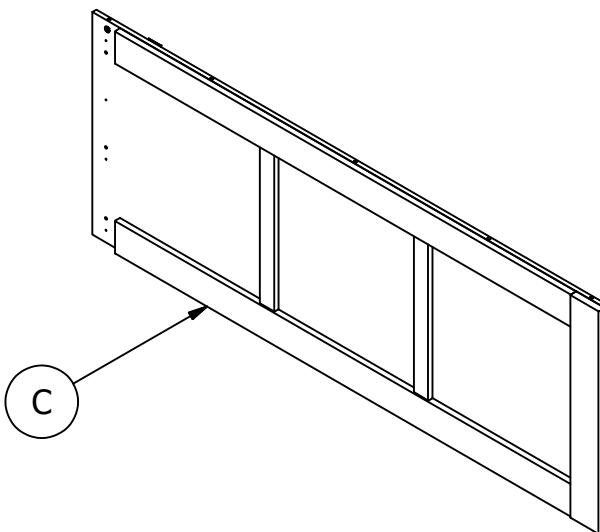
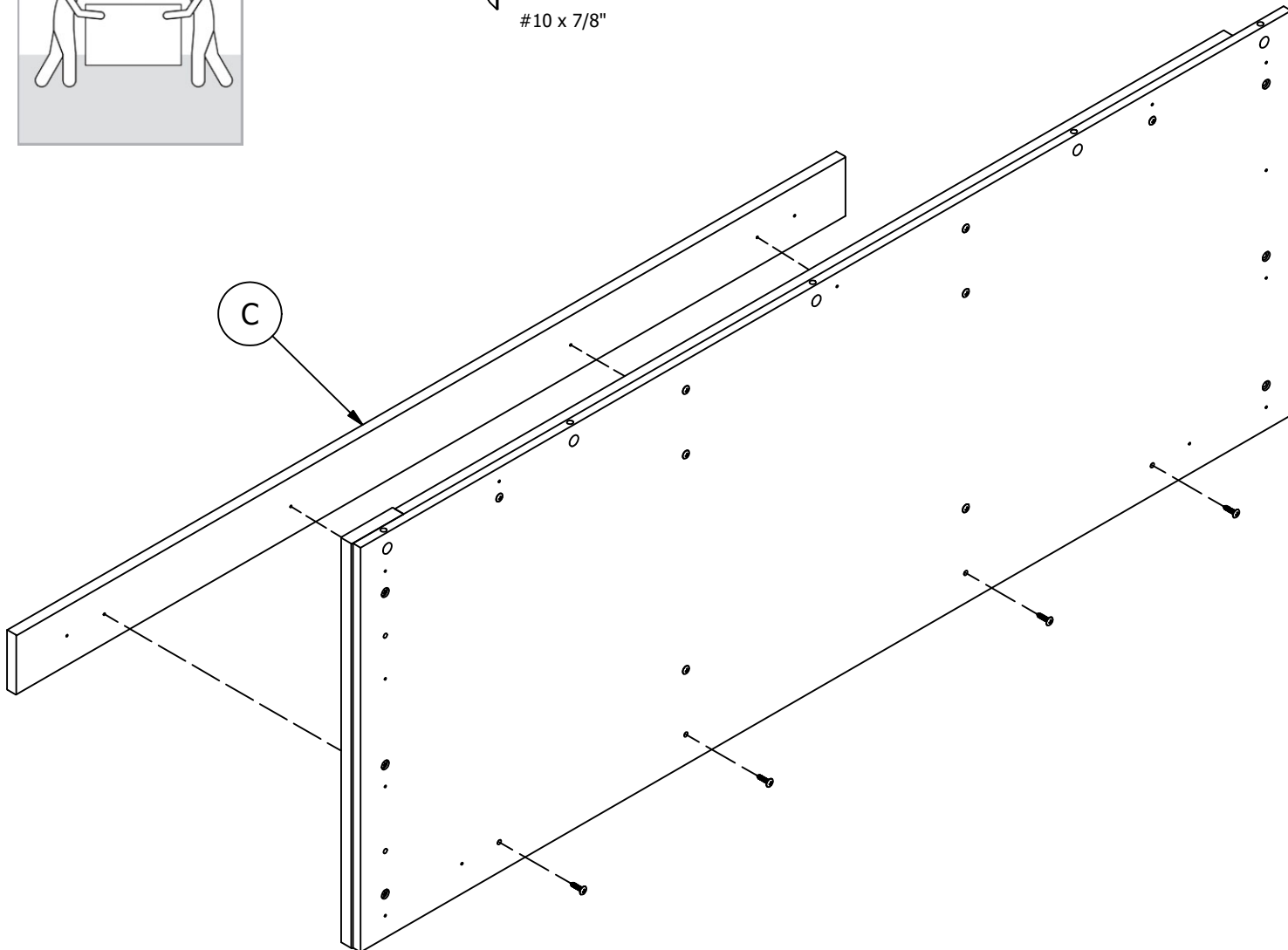


H148238



[4]

#10 x 7/8"



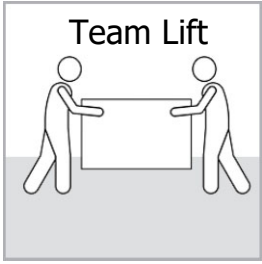
Assembled view
Vista unida
Vue assemblée

Have an assembly question or need a replacement part? Just call
1-800-950-4782, we are here to help.

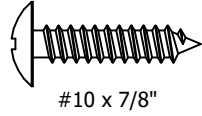
STEP 6

Assemble Panels

A183846B

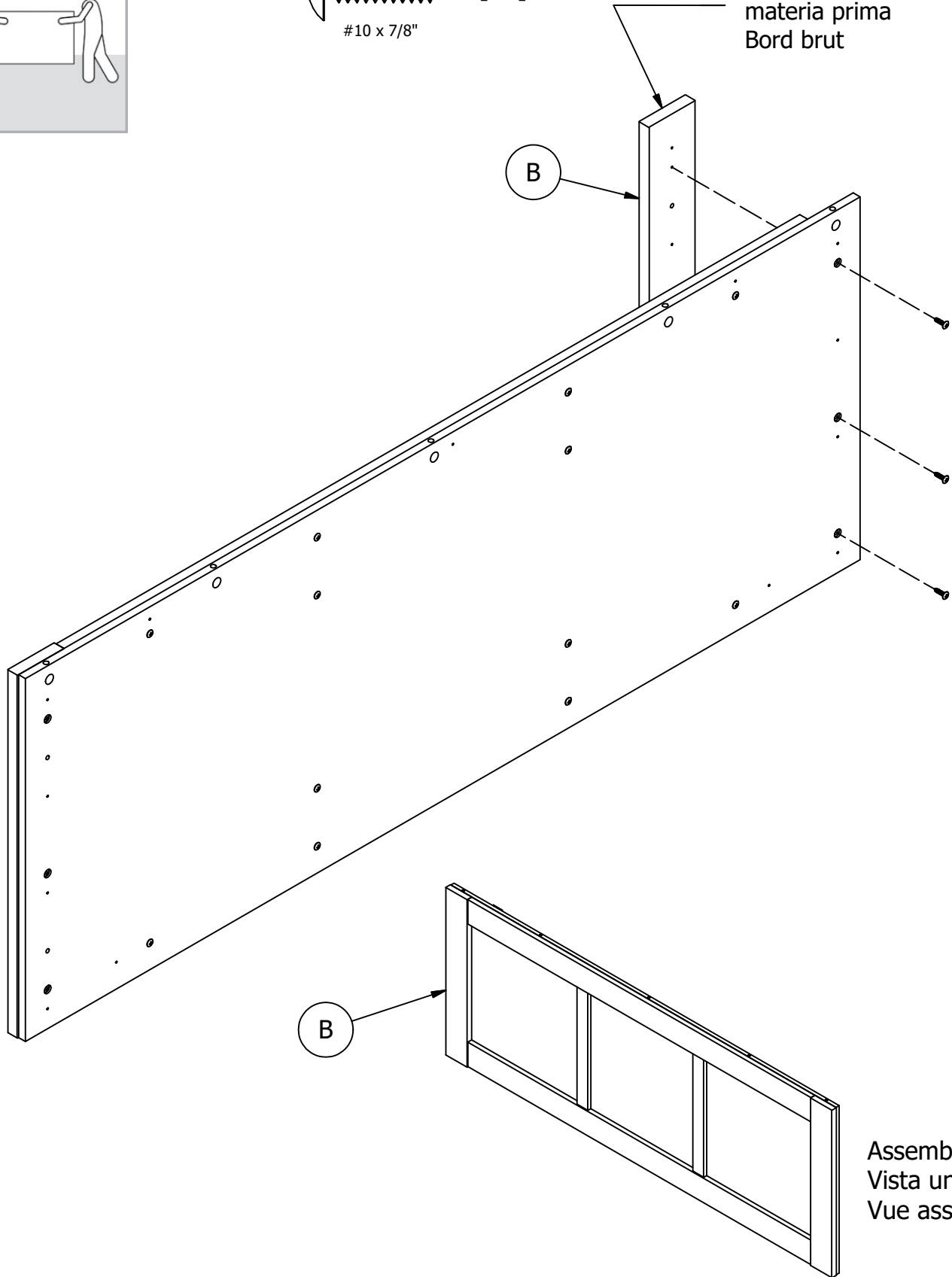


H148238



[3]

Raw edge
materia prima
Bord brut



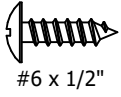
Have an assembly question or need a replacement part? Just call
1-800-950-4782, we are here to help.

STEP 7

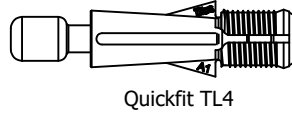
Prepare Panel

A183846B

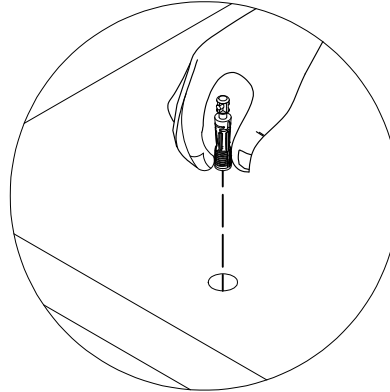
H101725 [3]
#6 x 1/2"



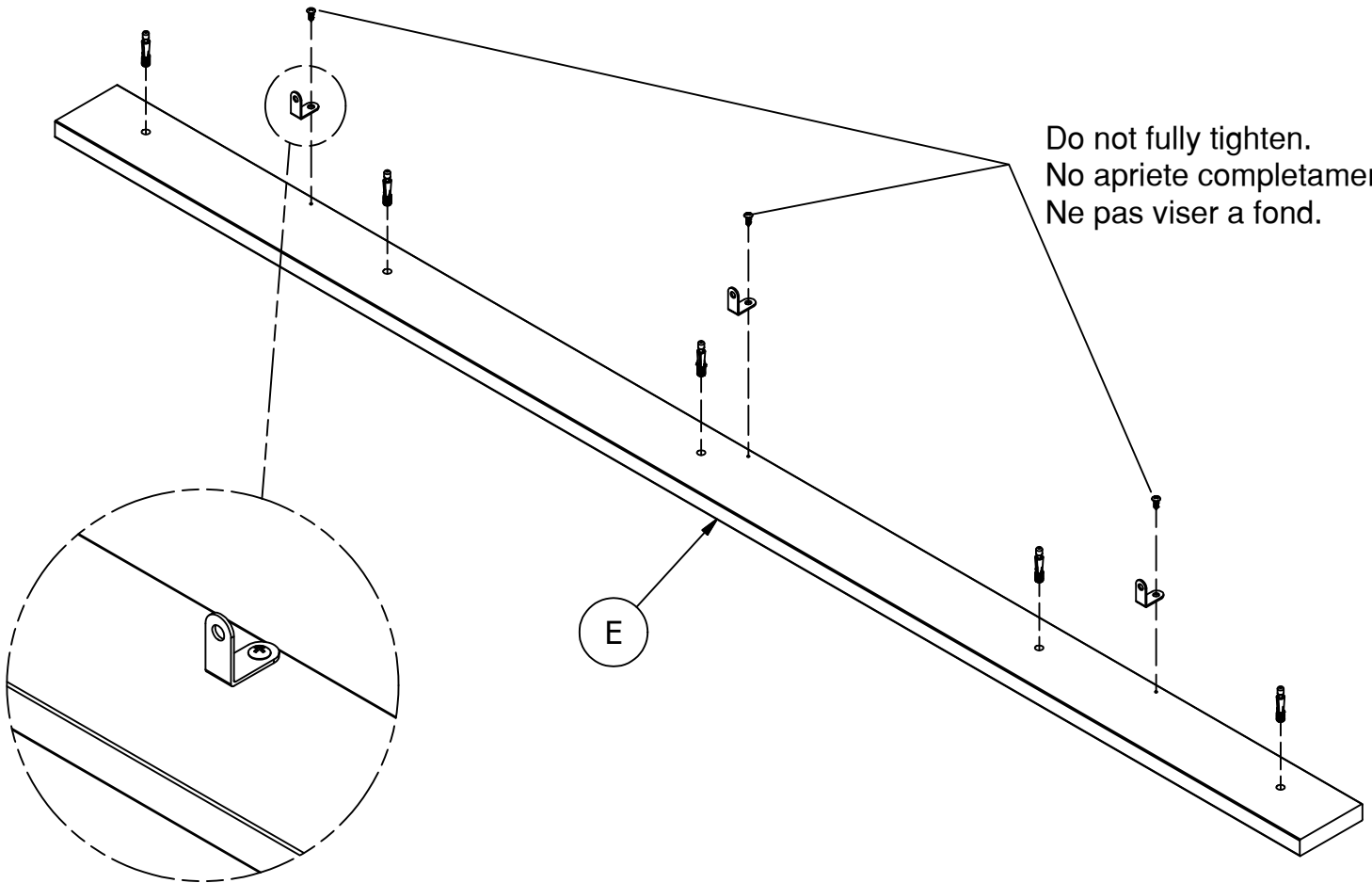
H171556 [5]
Quickfit TL4



H67187 [3]
Angle Bracket



MAY HAVE TO SQUEEZE PLASTIC TO INSERT INTO HOLE.
PUEDE TENER QUE APRETAR PLÁSTICO PARA INSERTAR EN EL AGUJERO.
PEUT AVOIR À PRESSER EN PLASTIQUE À INSÉRER DANS LE TROU.



Have an assembly question or need a replacement part? Just call
1-800-950-4782, we are here to help.

STEP 8

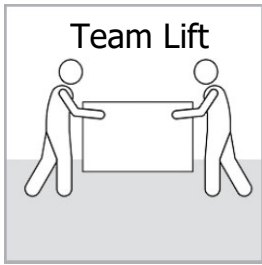
Assemble Panels

A183846B

Scan QR Code to Watch Video on:



How to Tighten KD Cams



H181468



KD Cam

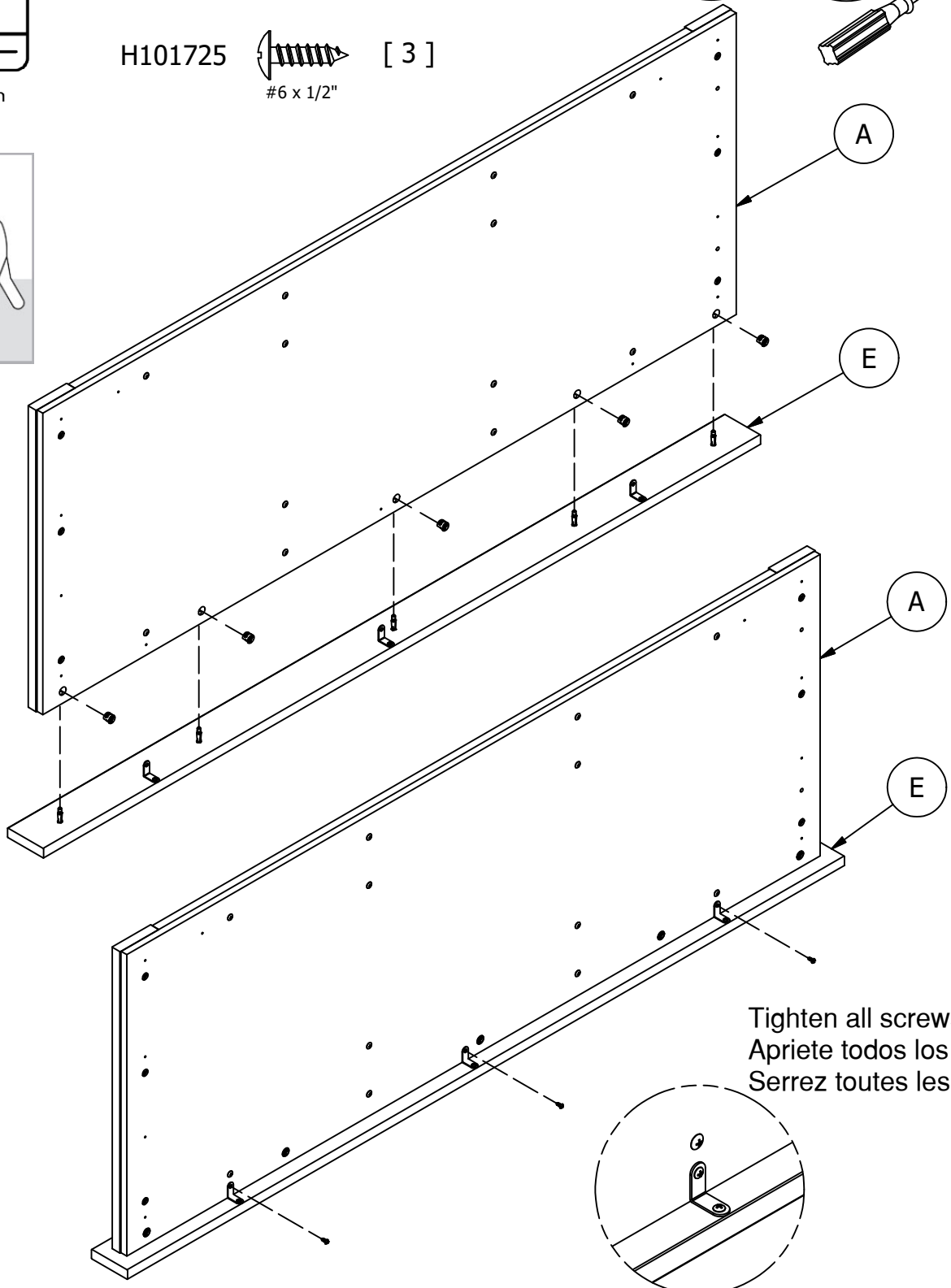
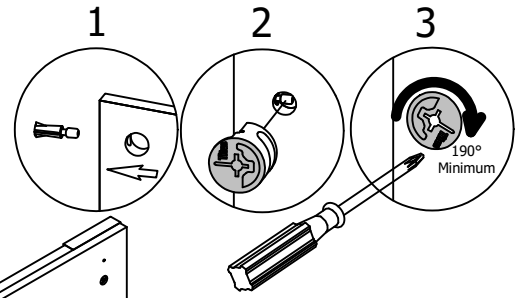
[5]

H101725



#6 x 1/2"

[3]



Tighten all screws.
Apriete todos los tornillos.
Serrez toutes les vis.

Have an assembly question or need a replacement part? Just call **1-800-950-4782**, we are here to help.

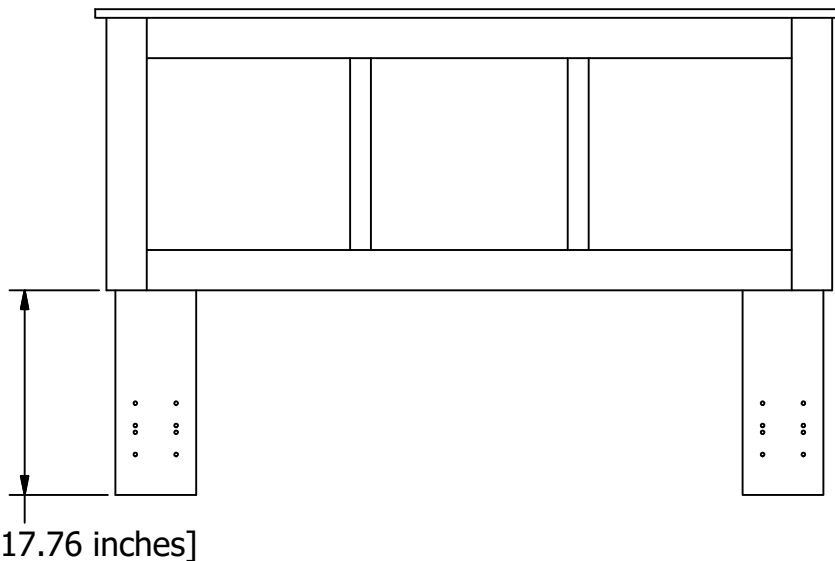
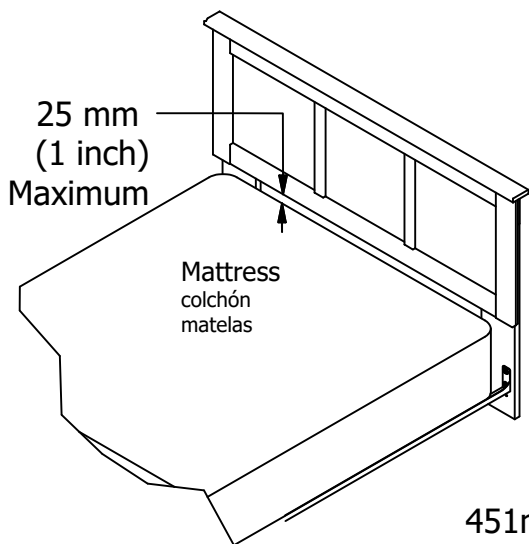
**WARNING**

Your headboard can be assembled to two different heights (17.76 and 24.06 inches from the floor) to fit multiple mattress thicknesses. Choose the headboard height based on your mattress. The gap between the top of the mattress and the bottom of the headboard should not be greater than 1 inch. Failure to assemble the headboard to the proper height for your mattress could lead to head entrapment or strangulation for very young children, causing serious injury or death.

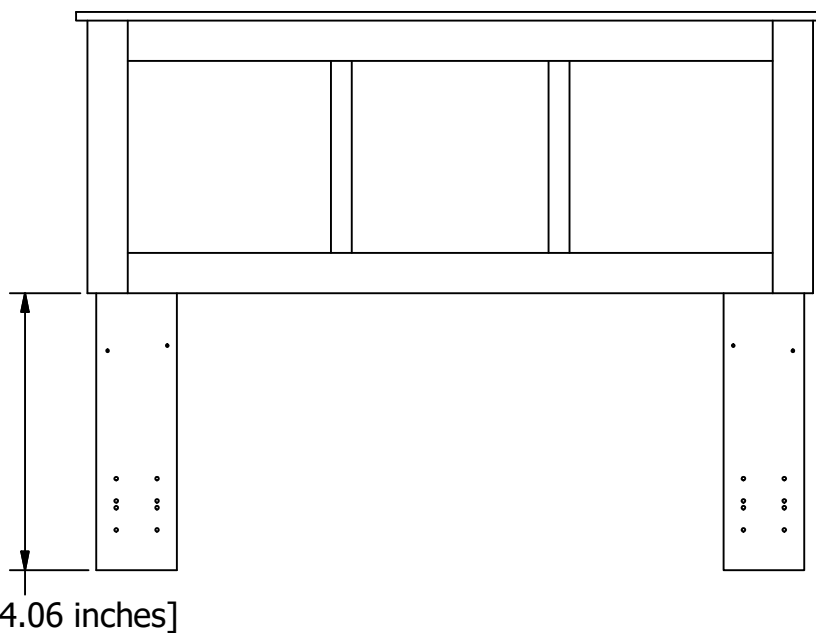
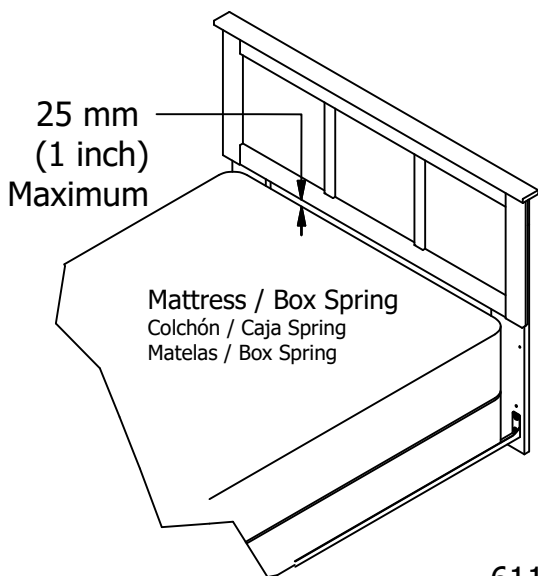
La cabecera se puede montar a dos alturas diferentes (451 y 611 mm del piso) para adaptarse a múltiples espesores de colchón. Elija la altura de la cabecera en función de su colchón. El espacio entre la parte superior del colchón y la parte inferior de la cabecera no debe ser mayor de 25 mm. Si no monta la cabecera de la cama a la altura adecuada para su colchón, podría provocar un atrapamiento o estrangulación en la cabeza de niños muy pequeños, causando lesiones graves o la muerte.

Votre tête de lit peut être assemblée à deux hauteurs différentes (451 et 611 mm Au-dessus du sol) pour s'adapter à plusieurs épaisseurs de matelas. Choisissez la hauteur de la tête de lit en fonction de votre matelas. L'écart entre le haut du matelas et le bas de la tête de lit ne doit pas dépasser 25 mm. Le fait de ne pas assembler la tête de lit à la hauteur appropriée pour votre matelas pourrait entraîner un piégeage de la tête ou un étranglement pour les très jeunes enfants, causant des blessures graves ou la mort.

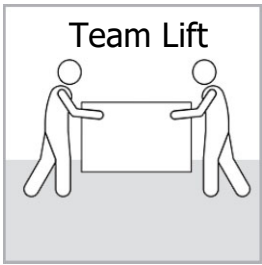
Lower position
 Go to Step 11.
 Posición inferior
 Proceda al paso 11.
 Position inférieure
 Allez à l'étape 11.



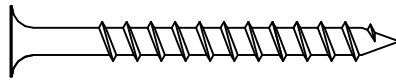
Upper position
 Go to Step 12.
 Posición superior
 Proceda al paso 12.
 Position supérieure
 Allez à l'étape 12.



Have an assembly question or need a replacement part? Just call
1-800-950-4782, we are here to help.



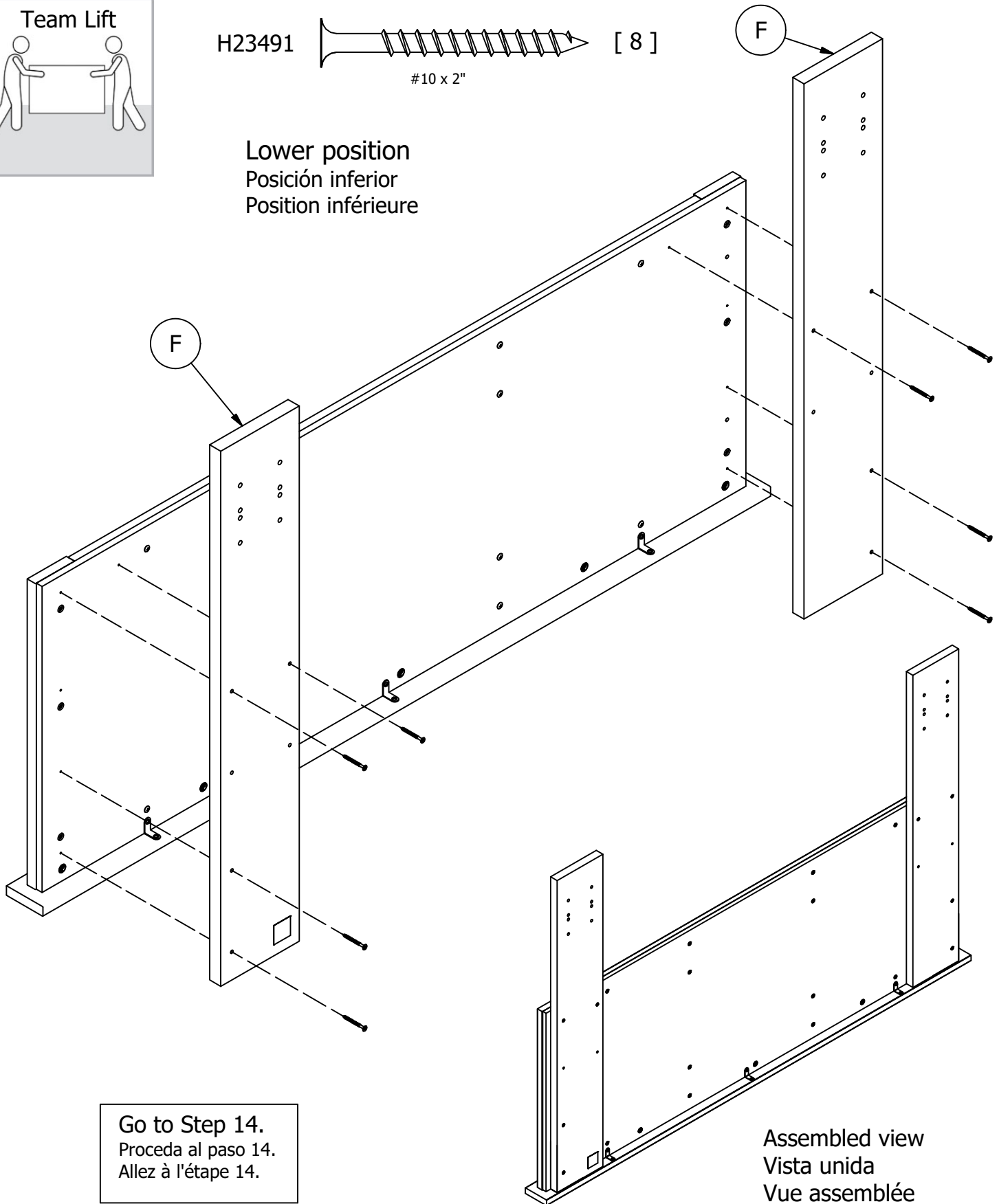
H23491



[8]

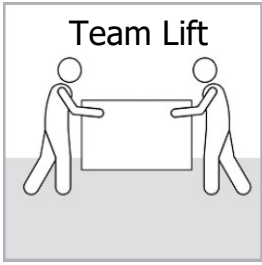
#10 x 2"

Lower position
Posición inferior
Position inférieure



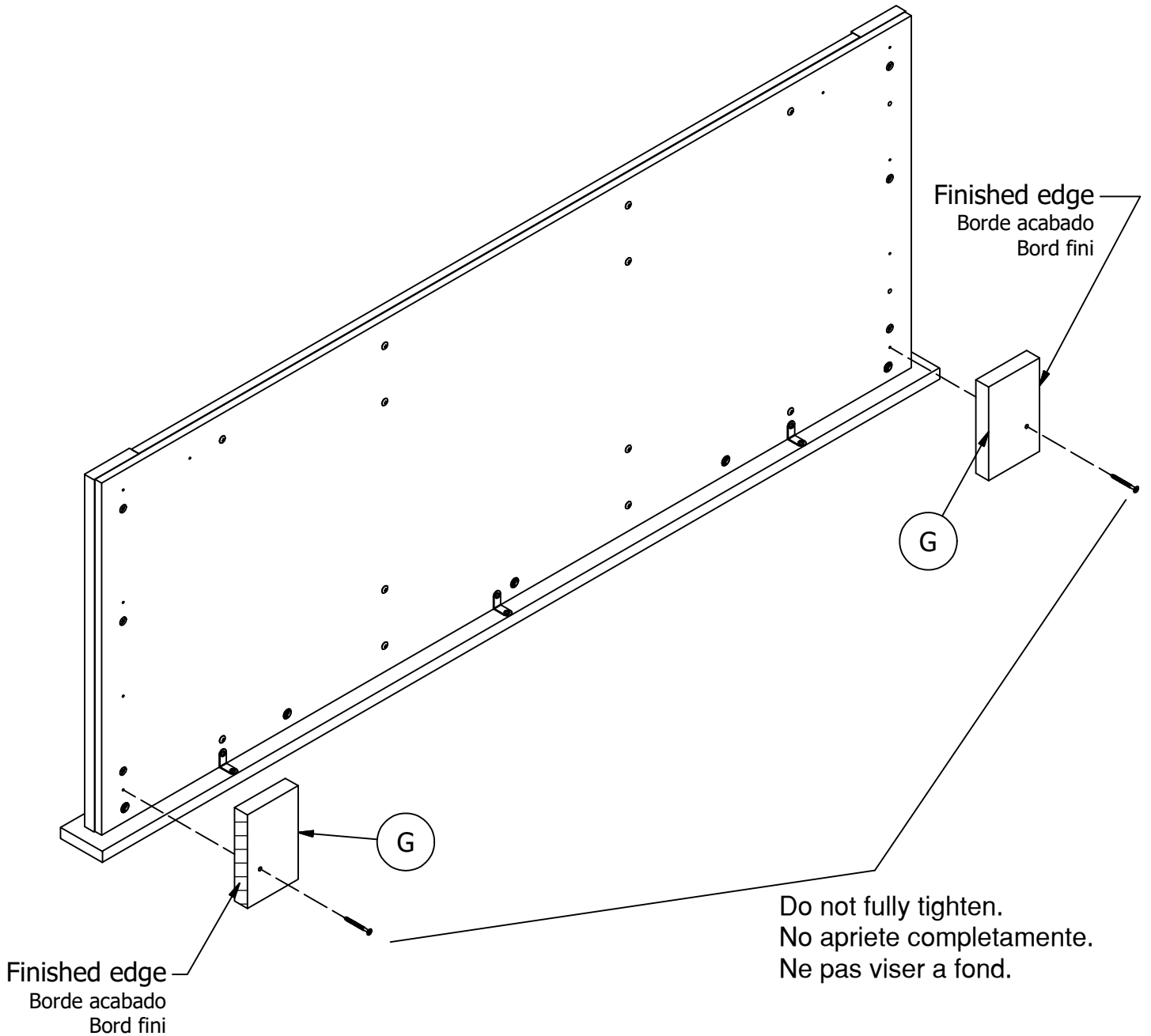
Go to Step 14.
Proceda al paso 14.
Allez à l'étape 14.

Assembled view
Vista unida
Vue assemblée

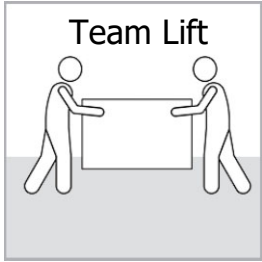


H23491 [2]
#10 x 2"

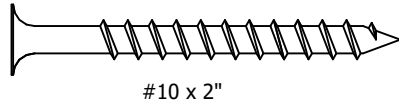
Upper position
Posición superior
Position supérieure



Have an assembly question or need a replacement part? Just call
1-800-950-4782, we are here to help.



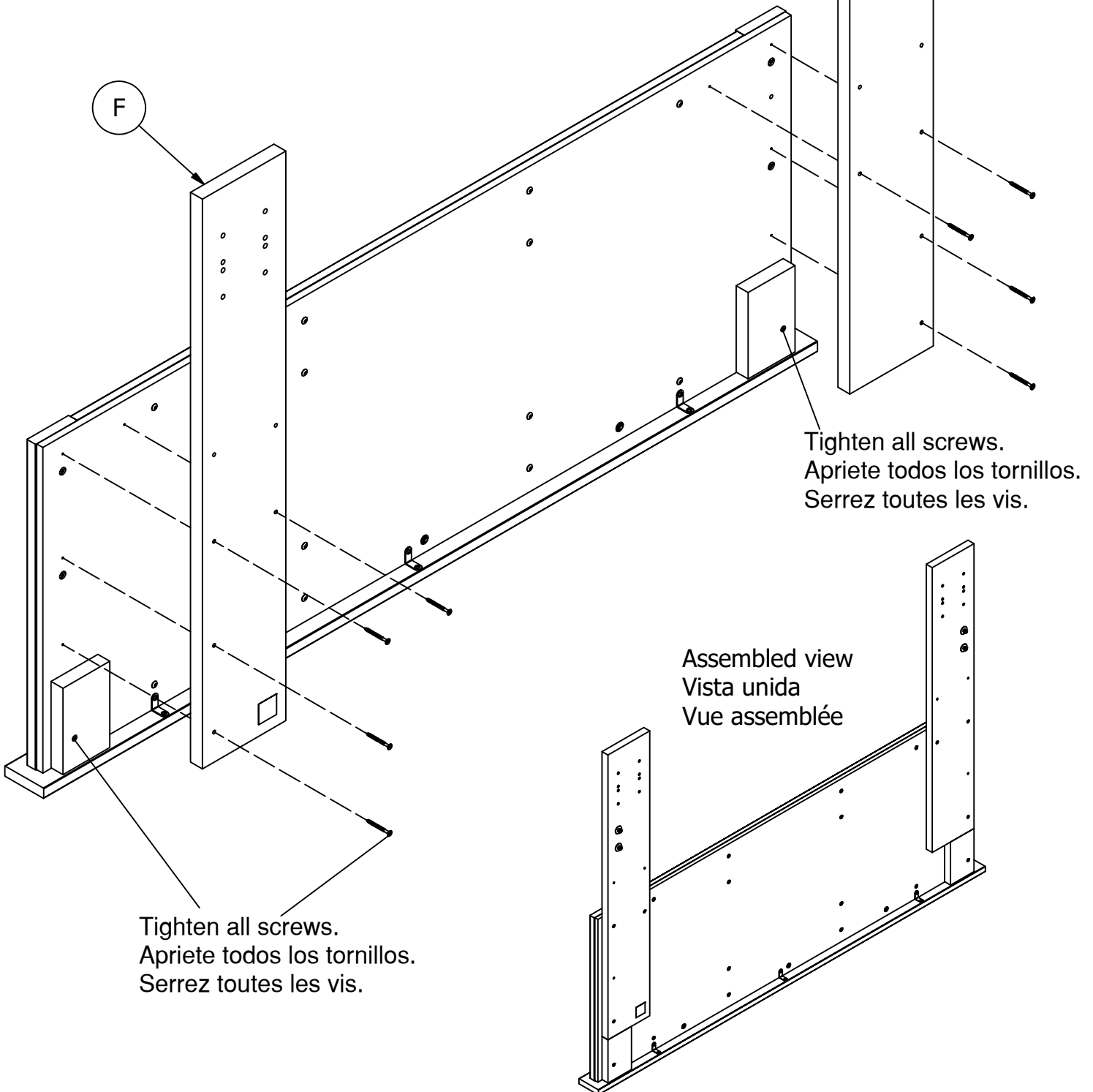
H23491



[8]

#10 x 2"

F

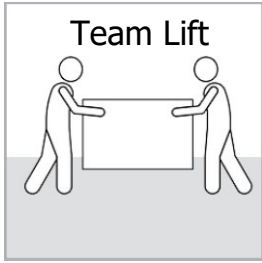


Have an assembly question or need a replacement part? Just call **1-800-950-4782**, we are here to help.

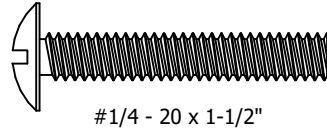
STEP 14

Attach Bed Frame

A183846B

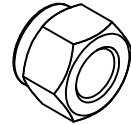


H133722



[4]

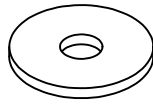
H35188



[4]

Lock Nut 1/4-20

H29825



[8]

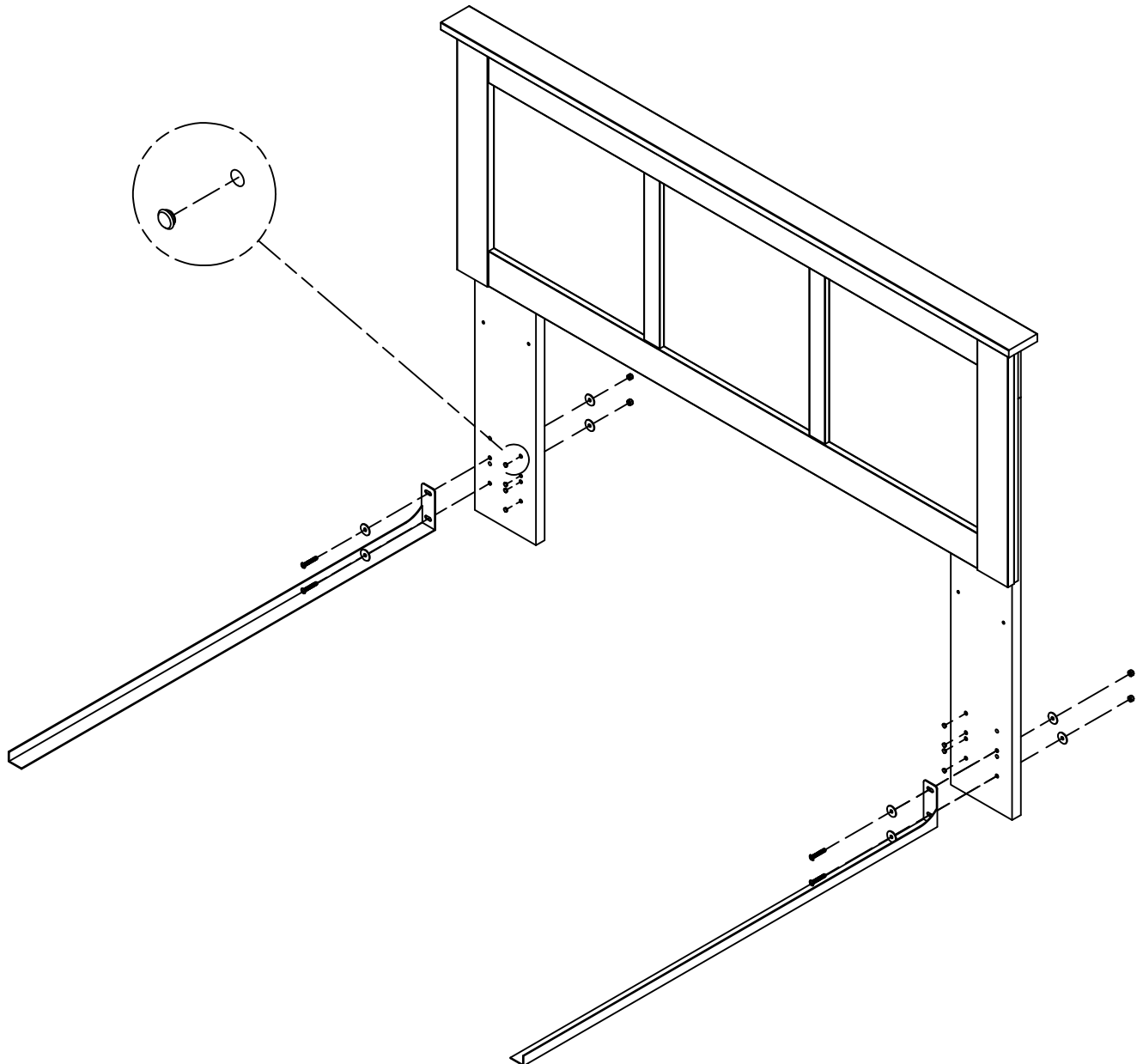
Washer



[8]

8mm

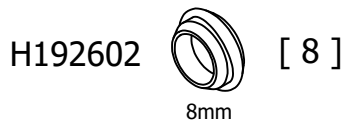
Refer to bed frame manufacturer's instructions for attaching bed frame to headboard.
Consulte las instrucciones del fabricante del marco de cama para sujetar el marco de la cama a la cabecera.
Reportez-vous aux instructions du fabricant du cadre du lit pour fixer le cadre du lit à la tête de lit.



Have an assembly question or need a replacement part? Just call
1-800-950-4782, we are here to help.

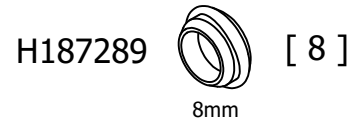
STQ165AG

- A W183840 [1]
- B W183841 [2]
- C W183843 [2]
- D W183844 [2]
- E W191066 [1]
- F W183842 [2]
- G W184214 [2]



STQ165SG

- A W196206 [1]
- B W196207 [2]
- C W196209 [2]
- D W196210 [2]
- E W196212 [1]
- F W196208 [2]
- G W196211 [2]



STQ165FW

- A W206300 [1]
- B W206301 [2]
- C W206303 [2]
- D W206304 [2]
- E W206306 [1]
- F W206302 [2]
- G W206305 [2]



STQ165PG

- A W206307 [1]
- B W206308 [2]
- C W206310 [2]
- D W206311 [2]
- E W206313 [1]
- F W206309 [2]
- G W206312 [2]

