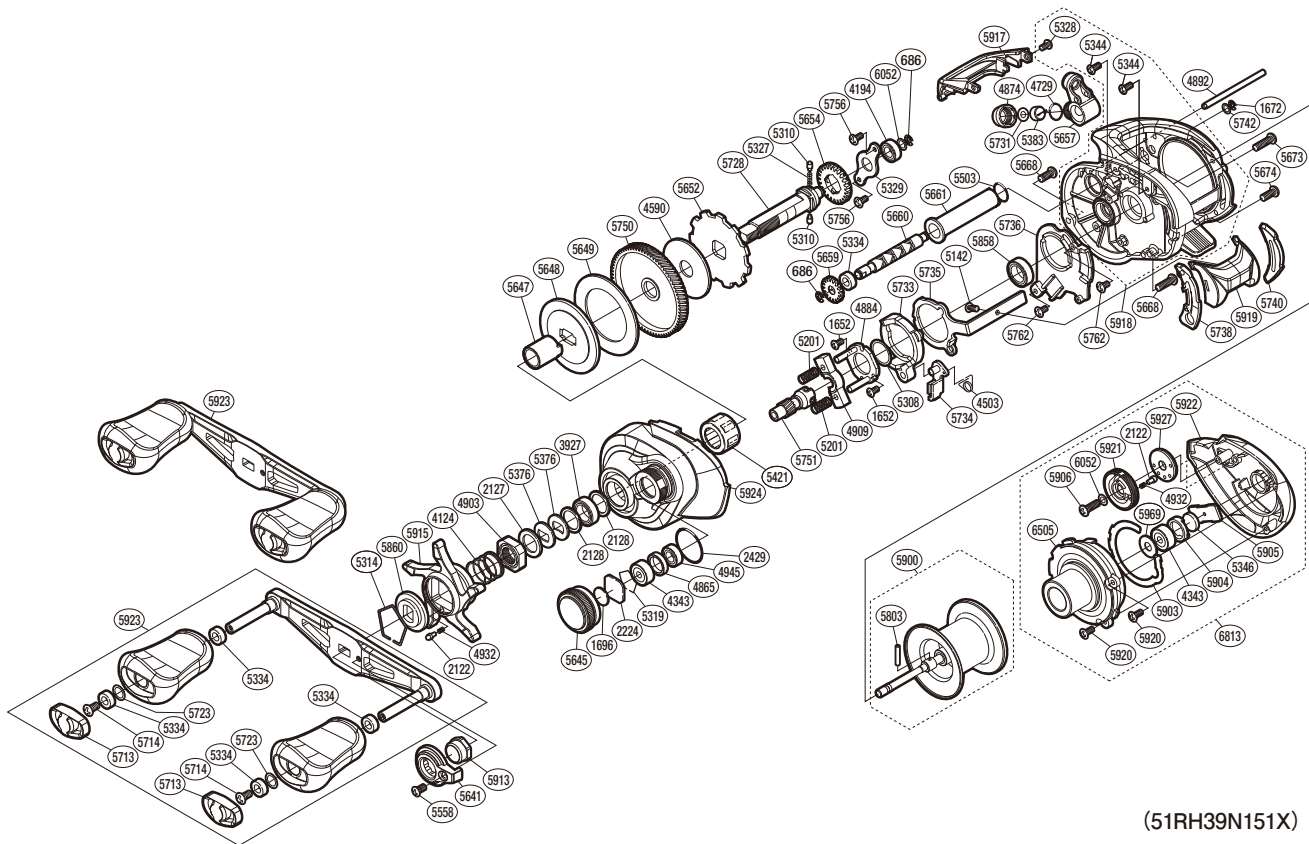


# SHIMANO

## CURADO DC

## CUDC151HG



(51RH39N151X)

#	Part No.	Description	#	Part No.	Description	#	Part No.	Description
686	105NK	E Lock	5329	109T1	Drive Shaft Retainer	5738	10EBK	Clutch Bar Guide B
1652	10LVE	Screw	5334	10PXZ	Bushing	5740	10EB4	Clutch Bar Guide A
1672	105NC	E Lock	5344	10MPD	Screw	5742	10S42	Washer
1696	10896	Cast Control Spacer	5346	10EX5	Spacer B	5750	10EB5	Drive Gear
2122	10BT0	Click Pin	5376	109F5	Drag Spring Washer	5751	10EB9	Pinion Gear
2127	10J1N	Star Drag Spacer	5383	10BHQ	Line Guide Pawl	5756	10S3Y	Screw
2128	105PW	Washer	5421	10TM8	Roller Clutch Bearing	5762	10S57	Screw
2224	1085F	Spool Tension Spacer	5503	101GT	O Ring	5803	10MD0	Spool Clutch Pin
2429	108WK	O Ring	5558	10R1Q	Screw	5858	105BT	Ball Bearing
3927	10EX8	Ball Bearing	5641	10SSK	Handle Nut Plate	5860	10J26	Star Drag Click Plate
4124	10A70	Star Drag Spring	5645	10SRP	Cast Control Cap	5900	100DU	Spool Assembly
4194	105BP	Ball Bearing	5647	10SRM	Roller Clutch Inner Tube	5903	10T4P	Washer
4343	105C3	Ball Bearing	5648	10SSR	Key Washer	5904	100Q2	Bearing Retainer
4503	104CQ	Clutch Pawl Spring	5649	10SSF	Drag Washer	5905	100Q5	Spool Shaft Spacer
4590	10CHY	Drag Washer	5652	10SSJ	Anti-Reverse Ratchet	5906	10LFN	Screw
4729	108WQ	O Ring	5654	101K8	Idle Gear	5913	10T0Z	Handle Nut
4865	10EYS	Bearing Spacer	5657	101E0	Line Guide Assembly	5915	10TB5	Star Drag
4874	10FJB	Pawl Cap	5659	10SRL	Idle Gear	5917	10TAZ	Level Wind Protector
4884	10F3X	Clutch Cam Retainer	5660	10ST0	Worm Shaft	5918	10T5K	Frame Assembly
4892	10QSE	Stabilizer Bar	5661	10SSP	Level Wind Guard	5919	100DR	Clutch Button
4903	10A3U	Star Drag Nut	5668	10SXB	Screw	5920	100QC	Screw
4909	1046W	Yoke	5673	10LHY	Screw	5921	100E5	Brake Dial
4932	10GQZ	Click Spring	5674	10SXA	Screw	5922	10TB4	Right Side Plate
4945	105BR	Ball Bearing	5713	10SS2	Handle Knob Seal	5923	10U0Q	Handle Assembly
5142	10559	Screw	5714	10LFA	Screw	5924	10TBV	Left Side Plate
5201	104BC	Yoke Spring	5723	1003Z	Washer	5927	100YQ	Click Ring
5308	10190	Washer	5728	10EBF	Drive Shaft	5969	10B94	Bearing Seal
5310	10HJG	Idle Gear Pin	5731	1003S	Spacer	6052	100MF	Washer
5314	10KXW	Click Plate Retainer	5733	10EB3	Clutch Cam	6505	10SX1	B Side Plate Substrate
5319	1054D	Bearing Retainer	5734	1003W	Clutch Pawl Assembly	6813	10T54	Right Side Plate Assembly
5327	10JDY	Idle Gear Spring	5735	10EBC	Clutch Plate			
5328	10LCQ	Screw	5736	10EBG	Clutch Guard			

Please note that the number of adjusting washers may not be the same as shown in the exploded views.  
(Adjustment will vary with each individual product.)

(230608)\_018