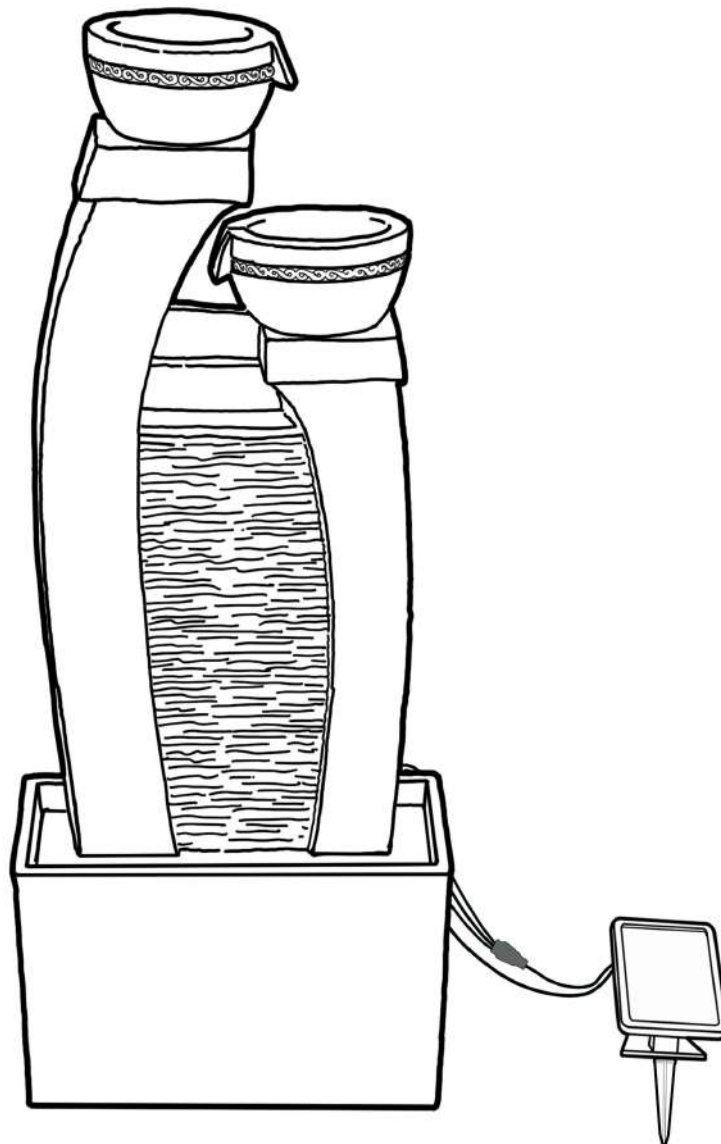
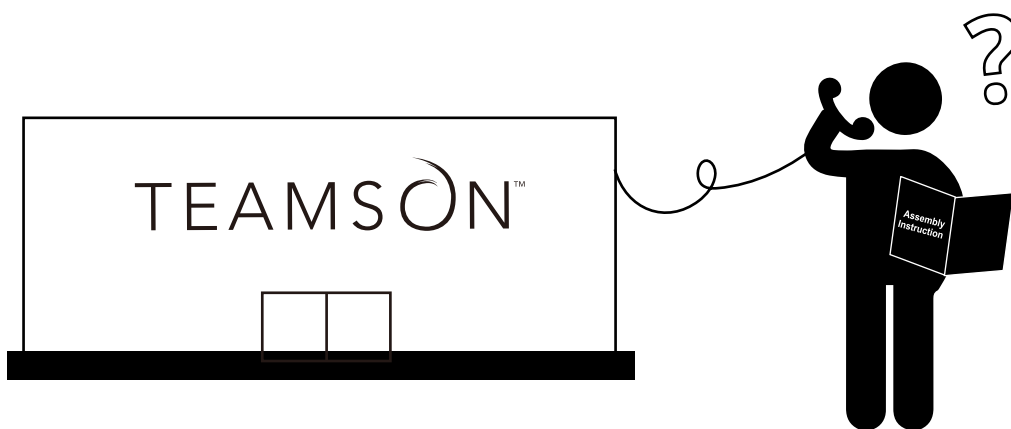
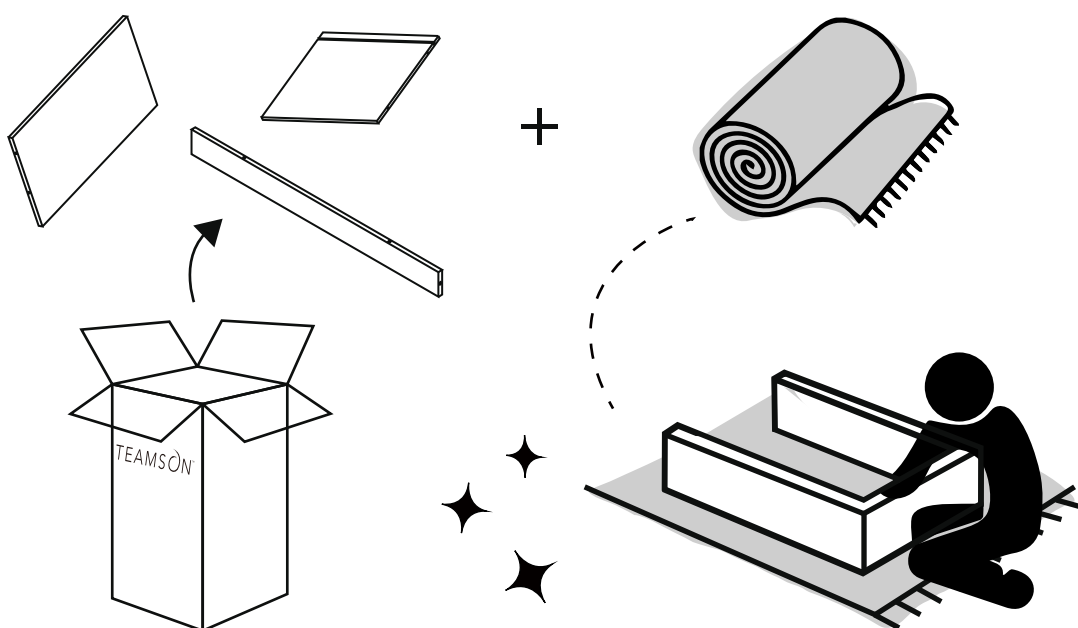
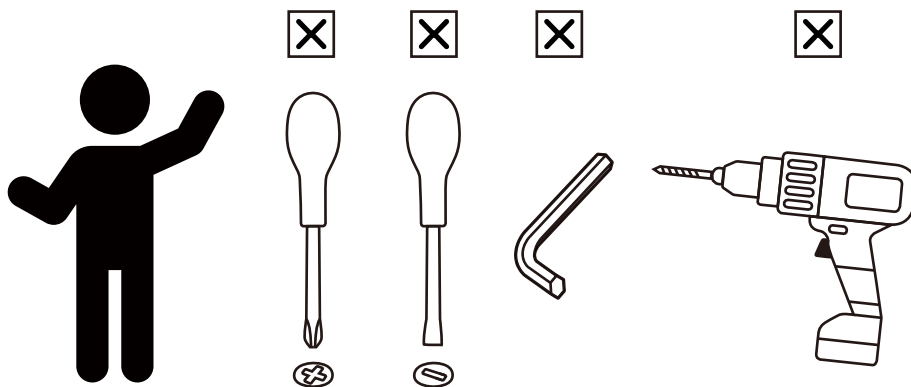


**Peaktop
Solar Powered Wall Fountain
with Two Bowls**

PT-SF0002

TIME SAVER!
3D Interactive Instruction





** Got questions? Please have your product code (on the first page of this instruction, e.g. PT-SF0002) and the order number ready, give us a call or email us through our customer care support! We are always ready to assist you!

TEAMSON HOME



3D Interactive Instruction

www.teamsonhome.com

Serving you well gives us great joy!

USA +1(800)935-3959

Mon - Fri 10:00am ~ 2:00pm EST

✉ support@teamson.com

EU +44(0)1952-916-050

Mon - Thu 9:00am ~ 5:00pm GMT

Friday 9:00am ~ 4:00pm GMT

✉ support@teamson.co.uk

ASIA 深圳办公室:

+86(0755)8885-3558.分机号108

Mon - Sat 9:00am ~ 5:00pm GMT+8

✉ sales_ec@teamson.com

台北辦公室:

+886(2)2556-6268

Mon - Fri 9:00am ~ 5:00pm GMT+8

✉ sales_ec@teamson.com

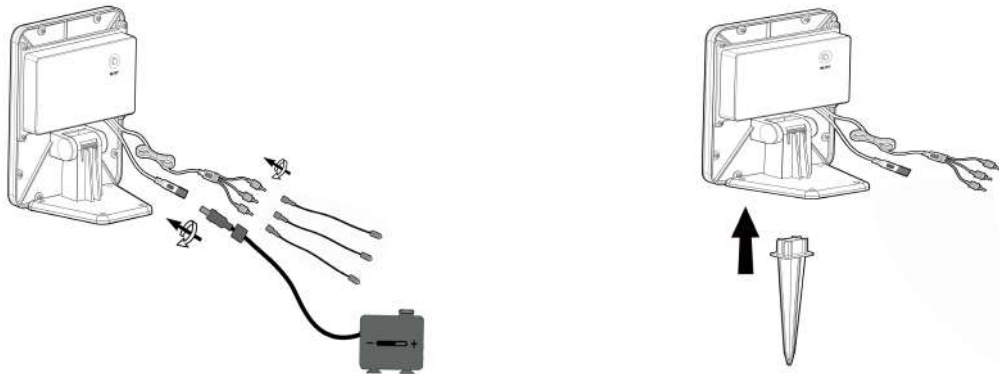
Thank you for choosing Teamson Home

Note :

1. **Charge the solar unit for at least two days before the pump is used for the first time**
2. **The LED light will work only when it's dark. If you want to test in the daytime turn the solar panel upside down and minimise exposure to sunlight.**

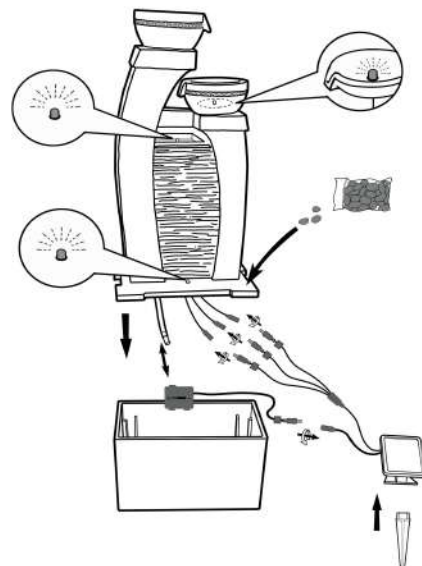
Overview

1. The solar pump is designed for fountain, pond or outdoor use. In order to make the solar pump work, the solar panel needs to be in direct sunlight. When the sun light is strong enough, the solar pump will start to work automatically. It will stop working when the solar panel is in shadow or the sunlight is not enough. If the fountain is used in evening, three warm LEDs will give light automatically to enhance the beauty scene of the water jet.
2. This solar pump is equipped with a battery pack. Extra electricity will be stored in the battery pack and to be used when there is no enough sunlight or in night times.
3. Press the button (switch) which is on the back of solar panel
Turn on: fountain will work
Turn off: It is only for power charged, pump and LED lights not work.



Assembling and Using Your Product

1. Unpack all components carefully. Please keep in mind that some water may splash over the rim of a bowl, do not set up the fountain on a surface which may be damaged by water.
 2. Lead the water tube and LED light cables from the bottom of fountain top. Insert the water tube into the pump outlet which is on the top of pump. Connect the LED lights with the LED Cables separately and connect the pump power cord with solar, until the parts are secured together. Place the pump upright into the fountain basin. Please place the fountain top into the fountain basin.
 3. Place the stone on the board of the fountain top.
 4. Insert the stake into the hole which is on the bottom of solar panel bracket.
 5. Make sure the solar panel gets direct sun light.
 6. Press on button (switch) which is on the back of solar
- The solar fountain is now ready for use.







← **Questions?**
Scan Here

Caution

- 3.1 Do not strike the solar panel.
- 3.2 Do not let the pump run dry for long time.
- 3.3 Do not lift the pump by the power cord.
- 3.4 Operate in freshwater only.

Pump performance in different weather condition:

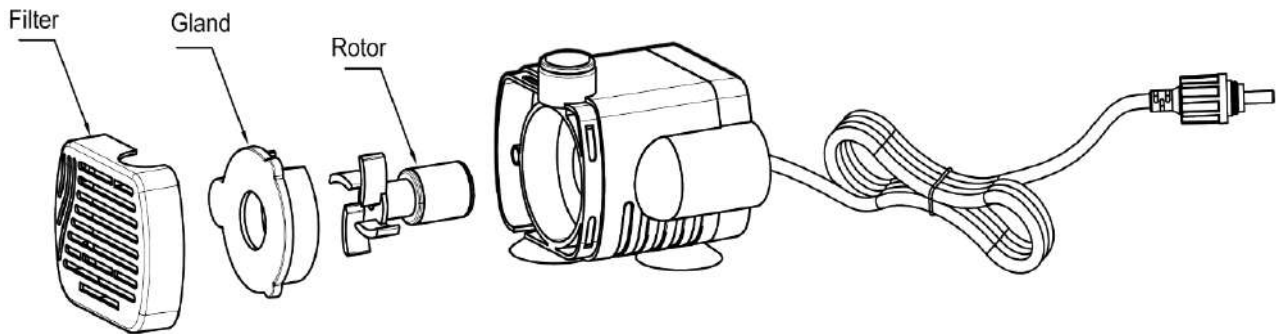
Weather	Performance of the pump	Charging of the battery
	Solar energy runs the pump and charges the battery at the same time.	Battery will be fully charged in 1 day.
	Solar energy runs the pump and supplies very little extra energy to the battery.	Battery will be fully charged in 2 to 3 days.
	Pump could only run by using the stored energy in the battery pack.	Battery will not be charged.
	Pump could only run by using the stored energy in the battery pack.	Battery will not be charged.



Questions?
Scan Here

Cleaning and Maintenance

Pump: If, after a period of time, the pump starts to lose power or stops working check for the build up of sediment, scale or dirt in the pump. Remove the pump filter, the gland and rotor. Clean them by fresh water.



Solar Panel: The panel should be cleaned periodically with a soft tissue. Regular cleaning of the panel is advised to maintain optimum conversion of the sun's energy into direct current.

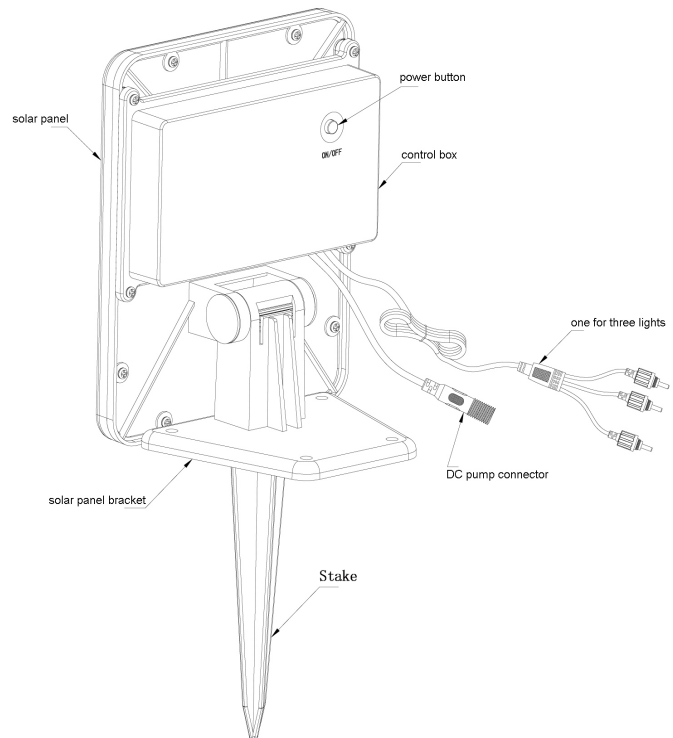
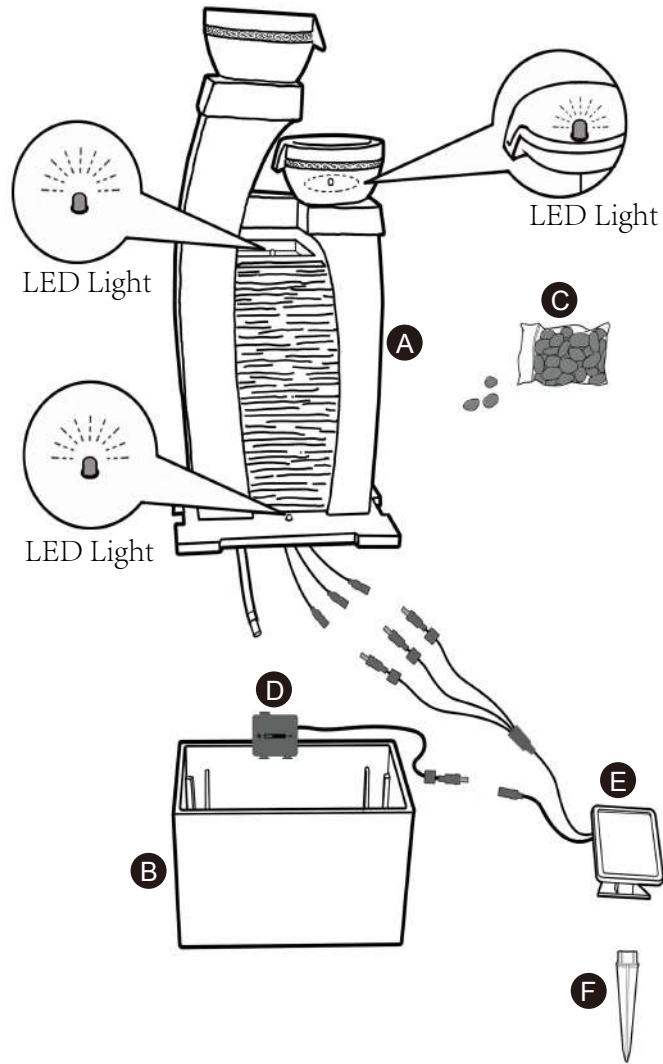
Trouble Shooting

1. Pump does not operate even though the solar panel is in full sunlight.
 - 1.1 No connection to the solar unit - check connection to the solar unit.
 - 1.2 Rotor is blocked - To clean the pump, remove the pump filter, the gland and rotor. Use a small brush or stream of water to remove any debris.
2. Pump does operate but there is no water running through the fountain, check for the build up of sediment or scale in the tubes or the pump - clean the tube and the pump.

Technical Data

Solar Pannel:	3.2W
Solar Pump Operation Voltage:	7.4V DC
Solar Pump:	1.5-2.5W
Water Flow Max.:	160L/H
Water Lift Max.:	1.0M
LED Light	3 LED Yellow Light
Lithium Battery:	7.4V/2000mAH
Pump Waterproof Rate:	IPX8
Panel Waterproof Rate:	IP64

Exploded Drawing



← **Questions?**
Scan Here

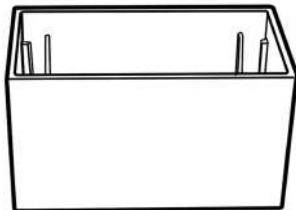
Product Parts

A



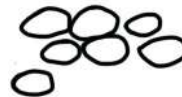
Fountain Top
1 PC

B



Fountain Basin
1 PC

C



Stone
1 Bag

D



Pump
1 PC

E



Solar
1 PC

F

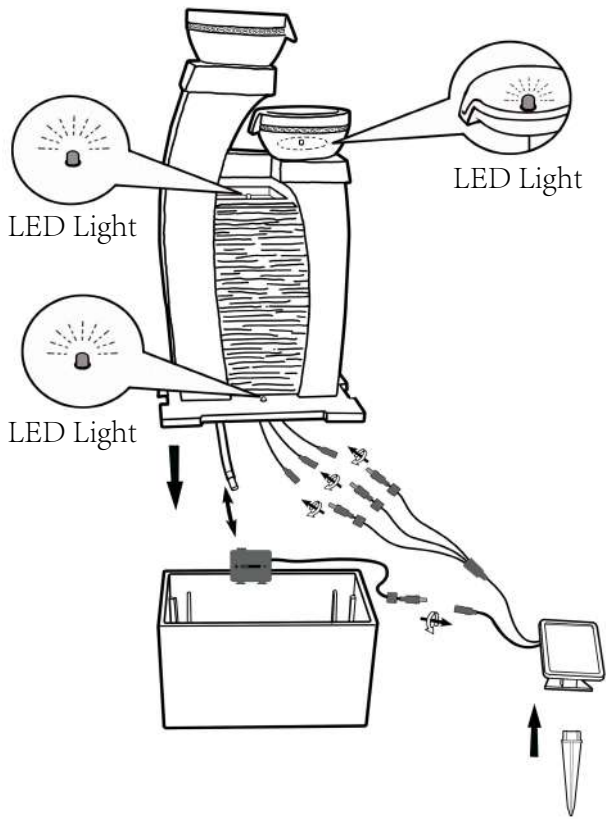


Stake
1 PC

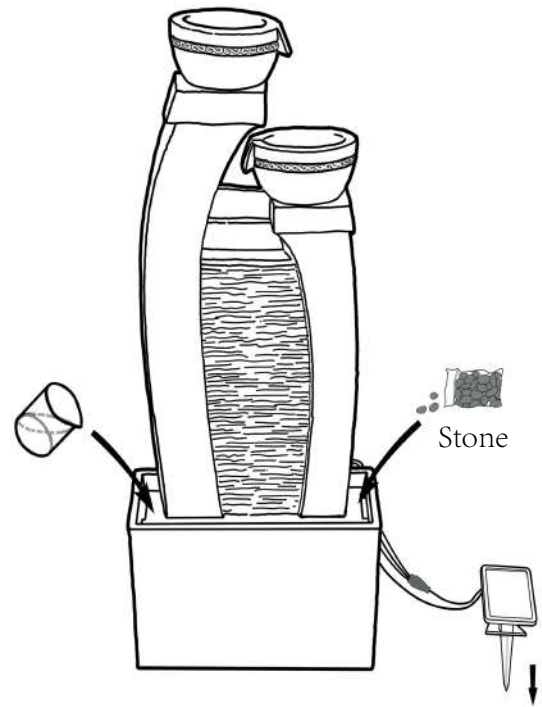


← **Questions?**
Scan Here

Step 1



Step 2



Questions?
Scan Here