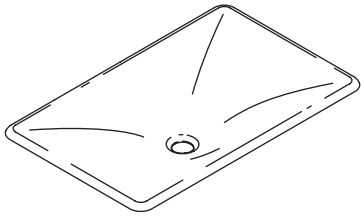


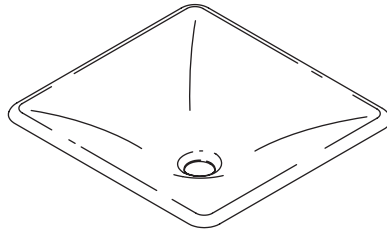
Installation Guide

Self-Rimming/Undercounter Lavatories

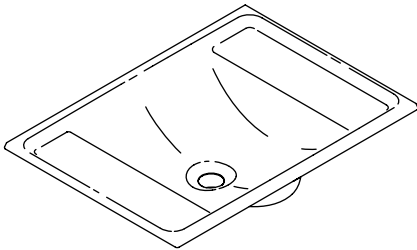
K-2826



K-2827



K-2838



M product numbers are for Mexico (i.e. K-12345**M**)
Los números de productos seguidos de
M corresponden a México (Ej.
K-12345**M**)
Français, page "Français-1"
Español, página "Español-1"

THE BOLD LOOK
OF **KOHLER**®

Tools and Materials



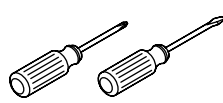
Pencil



Drill



Safety
Glasses



Assorted
Screwdrivers

Plus:

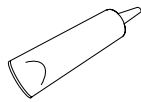
- Template (supplied)
- Assorted Bits
- Hole Saw



Jigsaw



Tape
Measure



Silicone
Sealant



Scissors

Thank You For Choosing Kohler Company

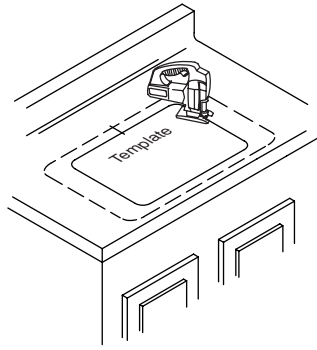
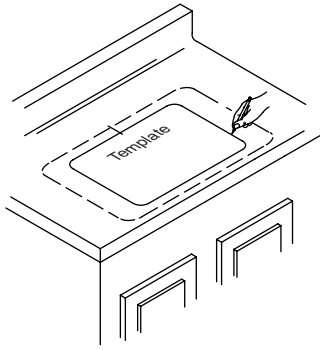
We appreciate your commitment to Kohler quality. Please take a few minutes to review this manual before you start installation. If you encounter any installation or performance problems, please don't hesitate to contact us. Our phone numbers and website are listed on the back cover. Thanks again for choosing Kohler Company.

Before You Begin



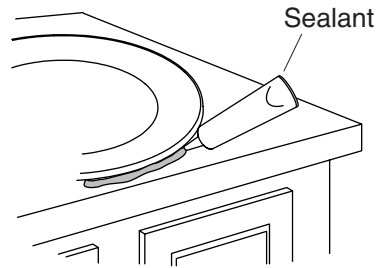
CAUTION: Risk of personal injury or product damage. Cast iron lavatories are very heavy. Get help lifting the lavatory into place.

- Observe all local plumbing and building codes.
- Prior to installation, unpack the new lavatory and inspect it for damage. Return the lavatory to its protective carton until you are ready to install it.
- Inspect the existing drain and supply tubing. Replace if necessary.
- Use the template supplied with the lavatory.
- For replacement installations, make sure the existing cutout is the same size or smaller than needed for the new lavatory.
- Kohler Co. reserves the right to make revisions in the design of products without notice, as specified in the Price Book.



1. Preparation

- Install the water supplies and drain piping according to the roughing-in information.
- Cut out the template along the inside of the template cutting line.
- Position the template on the countertop to ensure clearance between the lavatory, faucet, and backsplash.
- Verify cabinet clearance beneath the countertop.
- Use a pencil to trace the template on the countertop.
- Mark the faucet and handle centerline on the countertop.
- Cut out the opening by carefully following the pencil line traced from the template
- Go to the section that pertains to your style of installation.

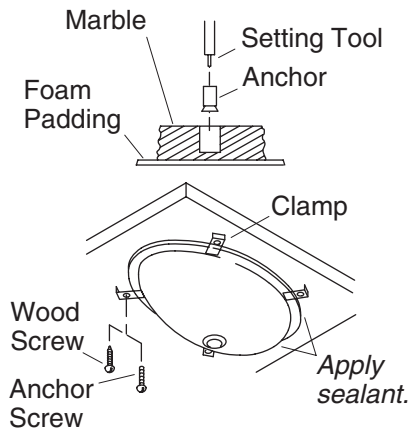


2. Self-Rimming Installations



CAUTION: Risk of personal injury or product damage. Cast iron lavatories are very heavy. Get help lifting the lavatory into place.

- Temporarily position the lavatory in the countertop cutout so the "Kohler" logo is to the back. Verify proper fit and clearance.
- Remove the lavatory from the countertop.
- Install the faucet and drain according to the manufacturer's instructions.
- Carefully position the lavatory in the countertop cutout so the "Kohler" logo is to the back. Verify proper fit and clearance.
- Apply a thin, continuous bead of sealant around the lavatory edges. **Immediately** wipe away any excess sealant.
- Fill any voids between the lavatory and the cutout with sealant.
- Verify that the lavatory had not moved out of position.
- Allow the sealant to cure for at least 30 minutes before proceeding.
- Connect and tighten the trap to the drain, and complete the water supply connections to the faucet according to the faucet manufacturer's instructions.
- Run water into the lavatory and check for leaks.
- Clean up with a non-abrasive cleaner.



Undercounter Installation

3. Undercounter Installations



CAUTION: Risk of personal injury or product damage. Cast iron lavatories are very heavy. Get help lifting the lavatory into place.

IMPORTANT! Undercounter installations are intended to be performed by experienced installers.

NOTE: The screws and anchors provided should be used on countertops with a minimum 1" (2.5 cm) thickness. For thinner countertops, use appropriate anchors and fasteners (not provided).

For Wood Countertops

- Mark and pre-drill the wood screw holes at the locations shown on the template.
- Waterproof any exposed areas of wood.

For All Undercounter Installations

- If the countertop has not been installed, install it at this time.
- Drill the faucet holes according to the faucet installation instructions.
- Install the faucet to the countertop according to the faucet manufacturer's instructions.
- Install the drain to the lavatory according to the drain manufacturer's instructions.

Undercounter Installations (cont.)

NOTE: Do not use adhesives or adhesive sealants.

- Apply a continuous bead of quality sealant to the top surface of the lavatory rim where it will contact the countertop.

IMPORTANT! Risk of personal injury or product damage. Handle with care. Product can break, chip or cause injury if handled carelessly. Get help lifting the lavatory.

- For marble countertops, install the lavatory to the countertop with the clamps and screws provided. For other countertop materials, refer to the countertop manufacturer's instructions for recommended fasteners.

IMPORTANT! Risk of product damage. Overtightening the nuts may cause irreparable damage to the lavatory.

- Position the lavatory squarely under the cutout before tightening the clamps. Draw the lavatory rim up against the countertop until it is snug. **Do not overtighten.**
- Immediately wipe away any excess sealant and fill any voids as needed.
- Allow the sealant to set for 30 minutes before proceeding.
- Connect and tighten the trap to the drain, and complete the water supply connections to the faucet according to the instructions packed with the faucet.
- Run water into the lavatory and check for leaks.
- Clean up with a non-abrasive cleaner.