








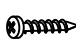



Assembly Instructions, #11704 Two Drawer Coffee Table

Parts List

Item	Parts	Description	Quantity
A		Top Assembly	1
B		Left Legs	2
C		Right Legs	2
D		Short Stretchers	2
E		Long Stretcher	1

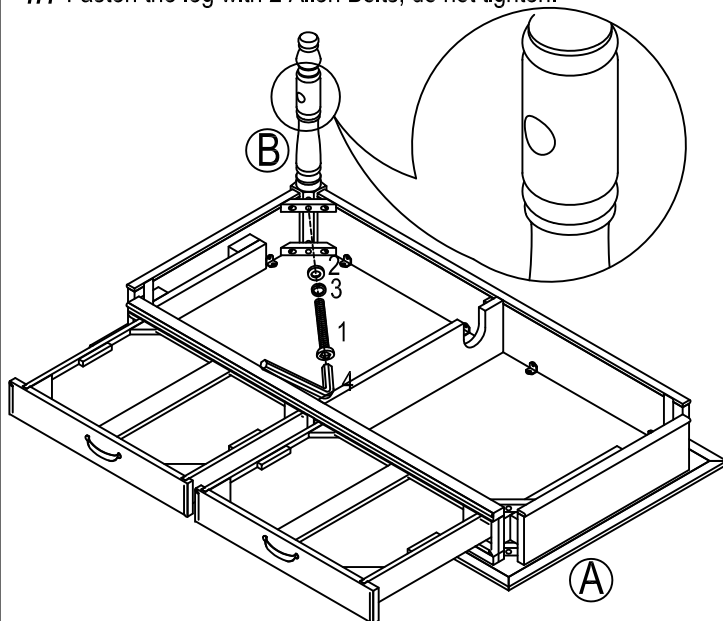
Hardware List

Item	Hardware	Description	Quantity
1		Allen Bolts	8
2		Flat Washers	8
3		Lock Washers	8
4		Allen Wrench	1
5		Short Wood Screws	2
6		Long Wood Screws	4

Assembly Steps

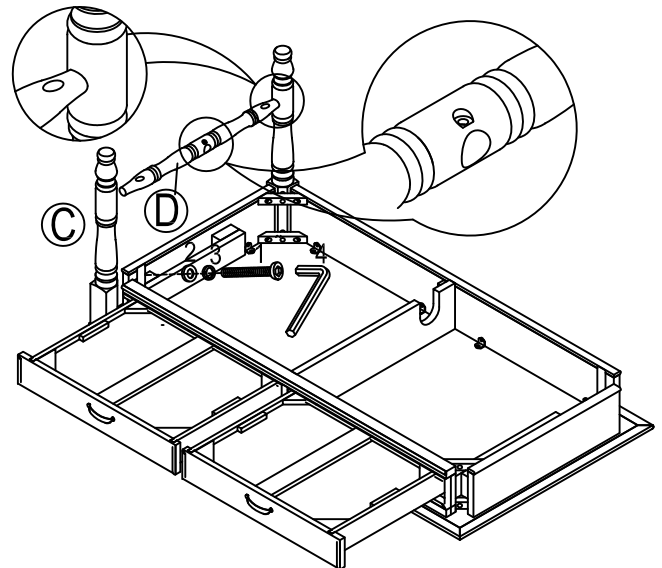
Step 1

- 1.1 Lay the Top Assembly (A) upside-down on a soft surface.
- 1.2 Pull the drawers out to expose the corner blocks to fasten the Legs.
- 1.3 Position one of the Left Legs (B) as shown below. Make sure the hole for Short Stretcher (D) faces inward along the shorter side of the table.
- 1.4 Fasten the leg with 2 Allen Bolts, do not tighten.



Step 2

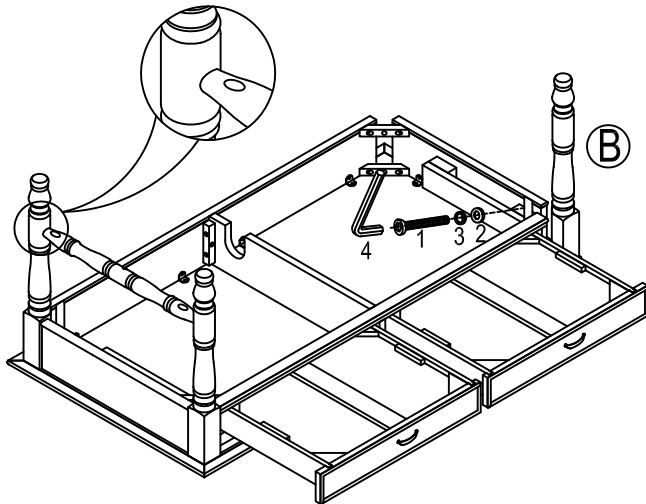
- 2.1 Insert one end of Short Stretcher (D) to the hole on Left Leg (B), check to make sure the hole for Long Stretcher (E) faces inward and the screwing holes are facing upward.
- 2.2 Position one of the Right Legs (C) as shown below. Make sure the hole for Stretcher (D) faces inward along the shorter side of the table.
- 2.3 Insert the other end of Short Stretcher (D) to the hole on Right Leg (C).
- 2.4 Fasten Right Leg (C) with 2 Allen Bolts, do not tighten.



Assembly Steps

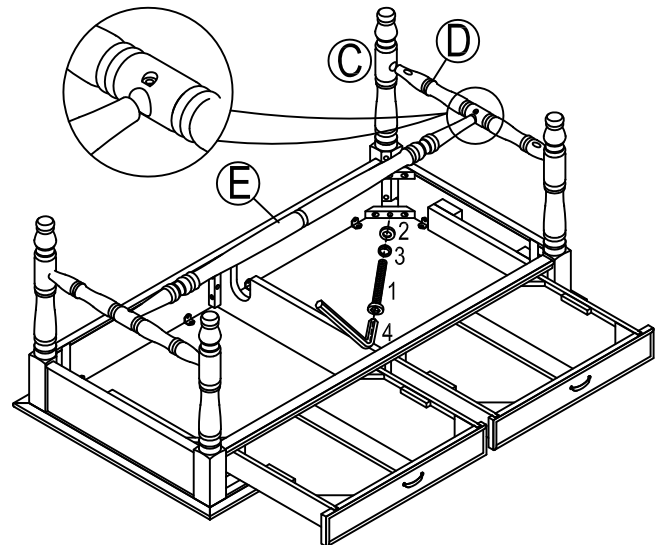
Step 3

- 3.1 Position the other Left Leg (B) as shown below. Make sure the hole for Short Stretcher (D) faces inward along the shorter side of the table.
- 3.2 Fasten Left Leg (B) with 2 Allen Bolts, do not tighten.



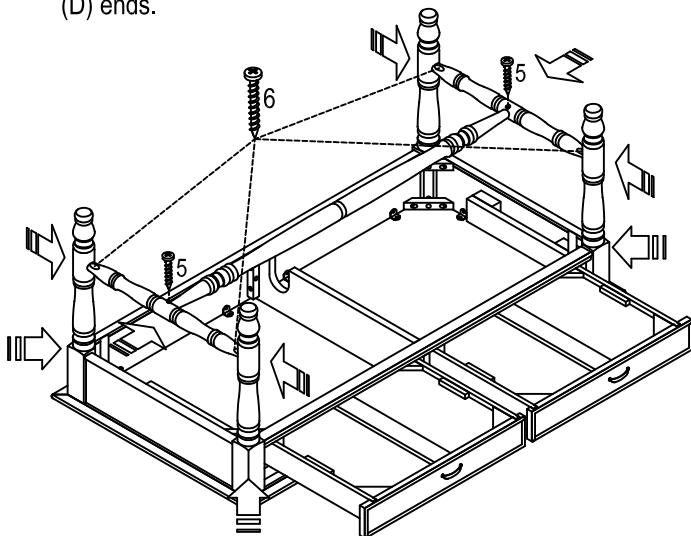
Step 4

- 4.1 Position the other Right Leg (C) as shown below. Make sure the hole for Short Stretcher (D) faces inward along the shorter side of the table.
- 4.2 Insert both ends of Short Stretcher (D) to the holes on Legs. check to make sure the hole for Long Stretcher (E) faces inward and the screwing holes are facing upward.
- 4.3 Fasten the Right Leg (C) with 2 Allen Bolts, do not tighten.
- 4.4 Pull the Legs and Short Stretchers slightly apart to insert both ends of the Long Stretcher (E) to the holes on the middle of both Stretchers (D).



Step 5

- 5.1 Push all the legs and stretchers inward, check to make sure they are all properly aligned and tighten all Allen Bolts.
- 5.2 Fasten all Stretcher's ends. Use Short Screws (5) on Long Stretcher's (E) ends and Long Screws (6) on Short Stretcher's (D) ends.



Step 6

- 6.1 Push the drawers back in.
- 6.2 Position the assembled piece upright.

