

TRAC-MASTER®

Wall Wash/Floods

35W LED WALL WASH/FLOOD

T256L

Project: _____

Fixture Type: _____

Location: _____

Contact/Phone: _____



Buy American

PRODUCT DESCRIPTION

The 35W T256L wall wash/flood trac fixture delivers a powerful and uniform punch of light, utilizing less energy than a similar CMH fixture and offering up to 4 times the rated life. Its sleek, shallow profile enables it to virtually blend in with the trac. Operating at only 35W, it is able to deliver up to 2223 lumens, yielding an efficacy of up to 64 lumens per watt. Its unique thermal management design yields a maintenance-free 50,000 hours service life at 70% lumen maintenance. Available in 2700K, 3000K, 3500K and 4000K color temperatures, the white-light T256L wall wash/flood fixture is compatible with all Juno line voltage trac.

PRODUCT SPECIFICATIONS

Housing Robust extruded aluminum channel with die cast aluminum end caps • Custom designed concealed heat sink provides outstanding thermal management, yielding 70% average lumen maintenance at 50,000 hours of operation • Rich, textured paint available in white, black and silver painted finishes.

LED Nichia LEDs provide outstanding reliability, performance and color quality/consistency • White phosphor high brightness LEDs in 2700K, 3000K, 3500K or 4000K color temperatures • High CRI of 80 minimum • Consult factory for 90 CRI versions.

Driver Concealed in rear housing to minimize overall fixture footprint • Solid state electronic, Class 2 compliant • Integral overcurrent and short circuit protection • FCC Part 15 Class B rated.

Dimming 120V fixtures are dimmable using high quality reverse phase ELV dimmers approved by Juno – see [T256L-DIM](#) for a list of approved dimmers or to confirm compatibility with desired dimmer.

Lens Shields LEDs and optical components from dust and other contaminants • Matte inner surface creates a diffuse, uniform beam pattern.

Aiming 90° vertical aiming capability.

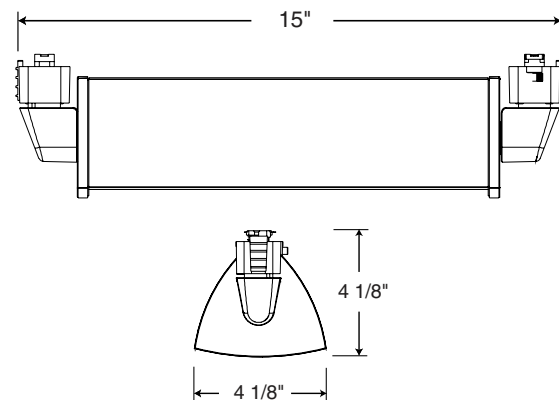
Power Connection Attaches to trac via two standard trac adapters, one of which contains electrical contacts.

Juno Universal Trac Adapter Universally compatible with both Trac-Master 1-circuit or 2-circuit trac, Trac-Lites trac, monopoints and special mountings • Also UL Recognized for use on ConTech® LT Series track • Copper alloy contacts provide precise spring action – no arcing and will not take a set • True, positive electrical ground • On / off switch included • Patented embossed polarity arrows on bottom of adapter • Spring-loaded positive latch with embossed polarity arrows secures trac light to trac • Two-position power contact provided for two-circuit application.

Alternate TEK/HTEK Trac Adapter Compatible with either Juno TEK or HTEK trac systems • System specific and assembled to trac fixture • Integrally polarized construction to prevent reverse installation – only allows insertion in proper orientation • Rotary circuit selector enables simple switching between circuits • Integral on/off switch enables individual fixtures to be switched for servicing.



DIMENSIONS



Alternate HTYPE Trac Adapter Compatible with track systems which use a H-type track adapter, including Lithonia LTS Decorative Track (not LT type) • System specific and assembled to trac fixture • Two-position power contact provided for two-circuit application • Consult factory for additional information.

Labels UL and C-UL Listed • ENERGY STAR® certified • Union made • Assembled in U.S.A.

Buy American This product is assembled in the USA and meets the Buy America(n) government procurement requirements under FAR, DFARS and DOT. Please refer to www.acuitybrands.com/buy-american for additional information.

Warranty 5-year limited warranty. This is the only warranty provided and no other statements in this specification sheet create any warranty of any kind. All other express and implied warranties are disclaimed. Complete warranty terms located at: www.acuitybrands.com/support/warranty/terms-and-conditions

Specifications subject to change without notice.

ORDERING INFORMATION

Ordering Examples: T256L 30K 80CRI OFF WH, T256L TEK 30K 80CRI PDIM BL

| Series | Mounting Adapter Type | Color Temperature | Color Rendering Index | Dimming Compatibility | Finish |
|-----------------------------------|--|-------------------|--|---|-----------|
| T256L 35W Wall Wash/ Flood LED | (Blank) Juno Universal 120V Trac Adapter | 27K 2700K | 80CRI 80 CRI Consult factory for 90 CRI versions. | OFF ¹ On/Off (Non-Dimming) PDIM Phase Dimmable | BL Black |
| | TEK TEK 120V Trac Adapter | 30K 3000K | | | SL Silver |
| | HTEK ¹ HTEK 277V Trac Adapter | 35K 3500K | | | WH White |
| | HTYPE H-Type Trac Adapter | 40K 4000K | | | |

Notes:
1 HTEK versions are only available with OFF and OFF is only available with HTEK.

ConTech is a registered trademark of ConTech Lighting.



One Lithonia Way • Conyers, GA 30012 • Phone: 1-800-705-SERV (7378) • Visit us at www.acuitybrands.com
Printed in U.S.A. ©2017-2022 Acuity Brands Lighting, Inc. Rev. 07/6/22

TRAC-MASTER®

Wall Wash/Floods

35W LED WALL WASH/FLOOD

T256L

PERFORMANCE DATA¹

| Catalog Number | Input Voltage | Watts (Typical) | Lumens | Efficacy (LPW) | Rated Life (Hours) |
|------------------|---------------|-----------------|--------|----------------|--------------------|
| T256L 27K | 120V | 35W | 2013 | 58 | 50,000 |
| T256L 30K | 120V | 35W | 2097 | 60 | 50,000 |
| T256L 35K | 120V | 35W | 2181 | 62 | 50,000 |
| T256L 40K | 120V | 35W | 2223 | 64 | 50,000 |

ELECTRICAL DATA

| | |
|----------------------|-------|
| Input Voltage | 120V |
| Input Current (max.) | 0.39A |
| Power Factor | >0.92 |
| T.H.D. | <20% |

¹Performance data is based on measurements of an individual fixture operating in a 25°C ambient.

T256L WALL WASH/FLOOD

TRAC 3' FROM WALL

| Distance centimeters | Single Fixture Performance | | | | | | Multiple Fixture Performance | | | | | | | | | |
|-------------------------|----------------------------|----|----|----|----|----|------------------------------|-----|----|--------|----|----|--------|----|----|----|
| | 0 | 1' | 2' | 3' | 4' | 5' | ← 4' → | | | ← 5' → | | | ← 6' → | | | |
| TRAC 3' FROM WALL | □ | | | | | | □ | □ | □ | □ | □ | □ | □ | □ | □ | |
| ← 3' → 50° | 1' | 73 | 62 | 37 | 18 | 9 | 4 | 91 | 77 | 91 | 81 | 53 | 81 | 77 | 36 | 77 |
| | 2' | 79 | 68 | 43 | 23 | 11 | 5 | 101 | 91 | 101 | 89 | 66 | 89 | 84 | 46 | 84 |
| | 3' | 62 | 54 | 37 | 21 | 11 | 6 | 84 | 81 | 84 | 73 | 60 | 73 | 68 | 43 | 68 |
| | 4' | 39 | 35 | 27 | 17 | 10 | 6 | 59 | 60 | 59 | 50 | 46 | 50 | 45 | 36 | 45 |
| | 5' | 21 | 20 | 16 | 12 | 8 | 5 | 38 | 39 | 38 | 31 | 32 | 31 | 27 | 25 | 27 |
| 35W LED 3000K CCT | 6' | 11 | 11 | 9 | 8 | 6 | 4 | 24 | 24 | 24 | 19 | 20 | 19 | 16 | 17 | 16 |
| | 7' | 6 | 6 | 5 | 5 | 4 | 3 | 15 | 15 | 15 | 13 | 13 | 13 | 11 | 11 | 11 |
| | 8' | 3 | 3 | 3 | 3 | 3 | 2 | 9 | 10 | 9 | 8 | 9 | 8 | 7 | 7 | 7 |
| | 9' | 2 | 2 | 2 | 2 | 2 | 2 | 6 | 7 | 6 | 6 | 6 | 6 | 5 | 5 | 5 |

TRAC 4' FROM WALL

| Distance centimeters | Single Fixture Performance | | | | | | Multiple Fixture Performance | | | | | | | | | |
|-------------------------|----------------------------|----|----|----|----|----|------------------------------|----|----|--------|----|----|--------|----|----|----|
| | 0 | 1' | 2' | 3' | 4' | 5' | ← 4' → | | | ← 5' → | | | ← 6' → | | | |
| TRAC 4' FROM WALL | □ | | | | | | □ | □ | □ | □ | □ | □ | □ | □ | □ | |
| ← 4' → 50° | 1' | 34 | 31 | 24 | 15 | 9 | 5 | 53 | 54 | 53 | 45 | 42 | 45 | 40 | 31 | 40 |
| | 2' | 46 | 42 | 32 | 20 | 12 | 7 | 72 | 72 | 72 | 60 | 55 | 60 | 54 | 42 | 54 |
| | 3' | 43 | 40 | 31 | 21 | 13 | 7 | 70 | 70 | 70 | 58 | 55 | 58 | 52 | 43 | 52 |
| | 4' | 35 | 32 | 26 | 19 | 12 | 7 | 60 | 61 | 60 | 50 | 49 | 50 | 44 | 39 | 44 |
| | 5' | 25 | 24 | 20 | 15 | 10 | 7 | 48 | 48 | 48 | 39 | 40 | 39 | 34 | 33 | 34 |
| 35W LED 3000K CCT | 6' | 16 | 16 | 14 | 11 | 8 | 6 | 34 | 35 | 34 | 28 | 29 | 28 | 24 | 24 | 24 |
| | 7' | 10 | 10 | 9 | 8 | 6 | 5 | 24 | 24 | 24 | 20 | 20 | 20 | 17 | 18 | 17 |
| | 8' | 6 | 6 | 6 | 5 | 4 | 4 | 16 | 17 | 16 | 14 | 14 | 14 | 12 | 12 | 12 |
| | 9' | 4 | 4 | 4 | 3 | 3 | 3 | 11 | 12 | 11 | 10 | 10 | 10 | 9 | 9 | 9 |

For 2700K multiply by 0.96; for 3500K multiply by 1.04; for 4000K multiply by 1.06