



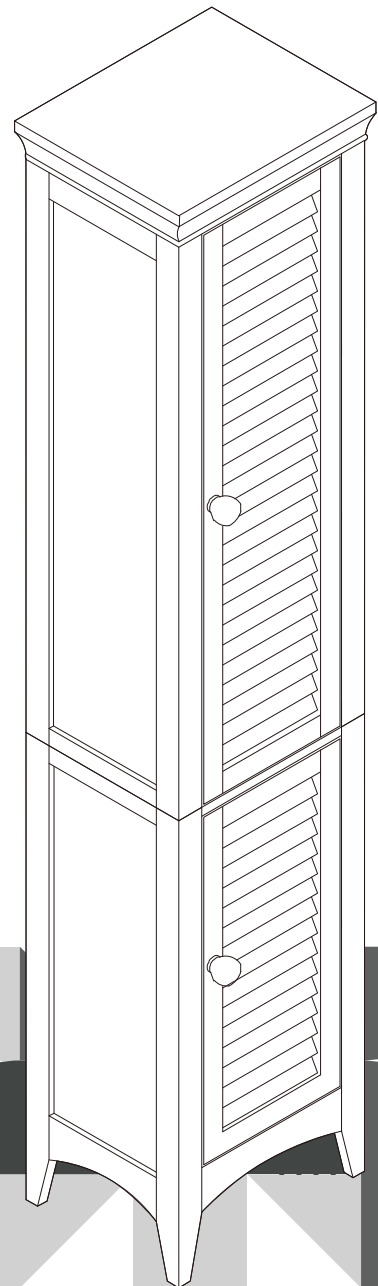
**Extended Warranty
Sign Up**

E-1

Welcome home!

ELG-588

**TEAMSON HOME
Glancy Two Shutter Doors
Wooden Tall Tower Storage
Cabinet White**





**Questions? Comments? Need help?
Call or email us any time!**

Global Customer Service

USA

+1(800)935-3959

Mon - Fri 10:00am ~ 2:00pm EST
✉ support@teamson.com

EU/UK

+44(0)1952-916-050

Mon - Thu 9:00am ~ 5:00pm GMT
Friday 9:00am ~ 4:00pm GMT
✉ support@teamson.co.uk

ASIA

深圳办公室:

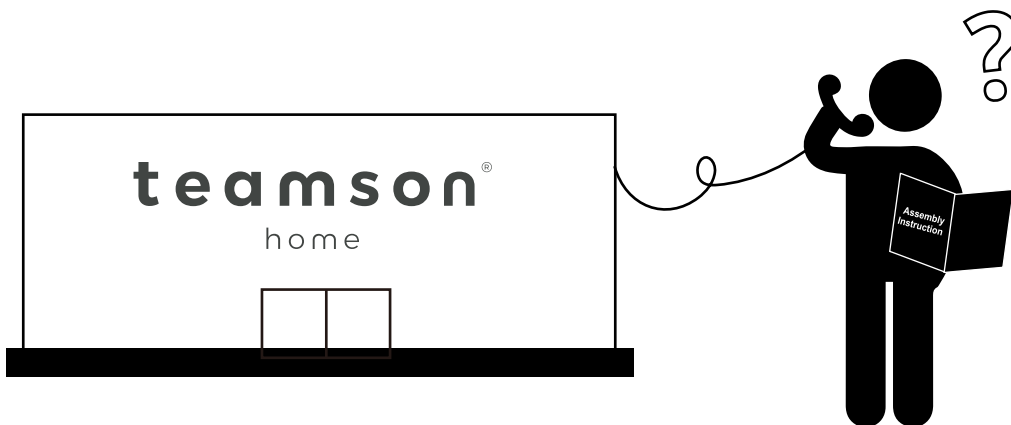
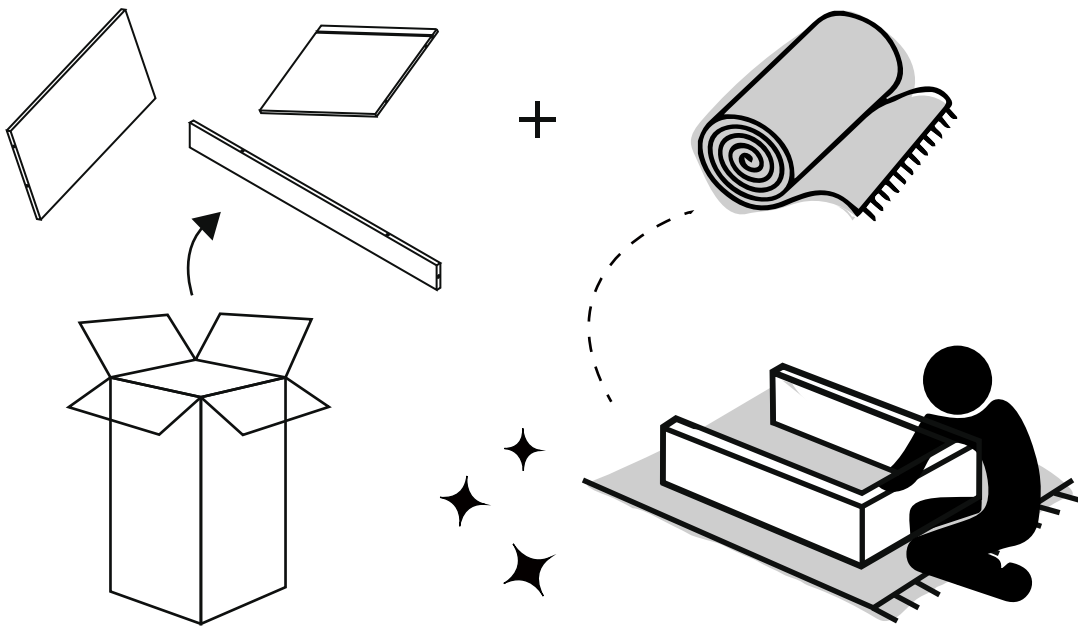
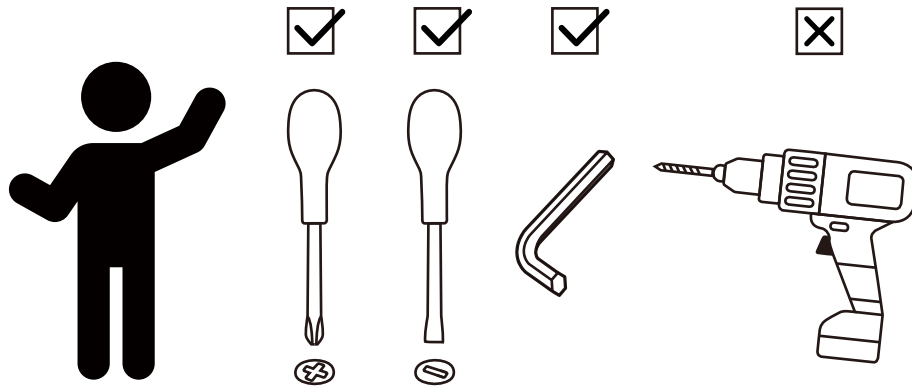
+86(0755)8885-3558.分机号331

Mon - Sat 9:00am ~ 5:00pm GMT+8
✉ sales_ec@teamson.com

台北办公室:

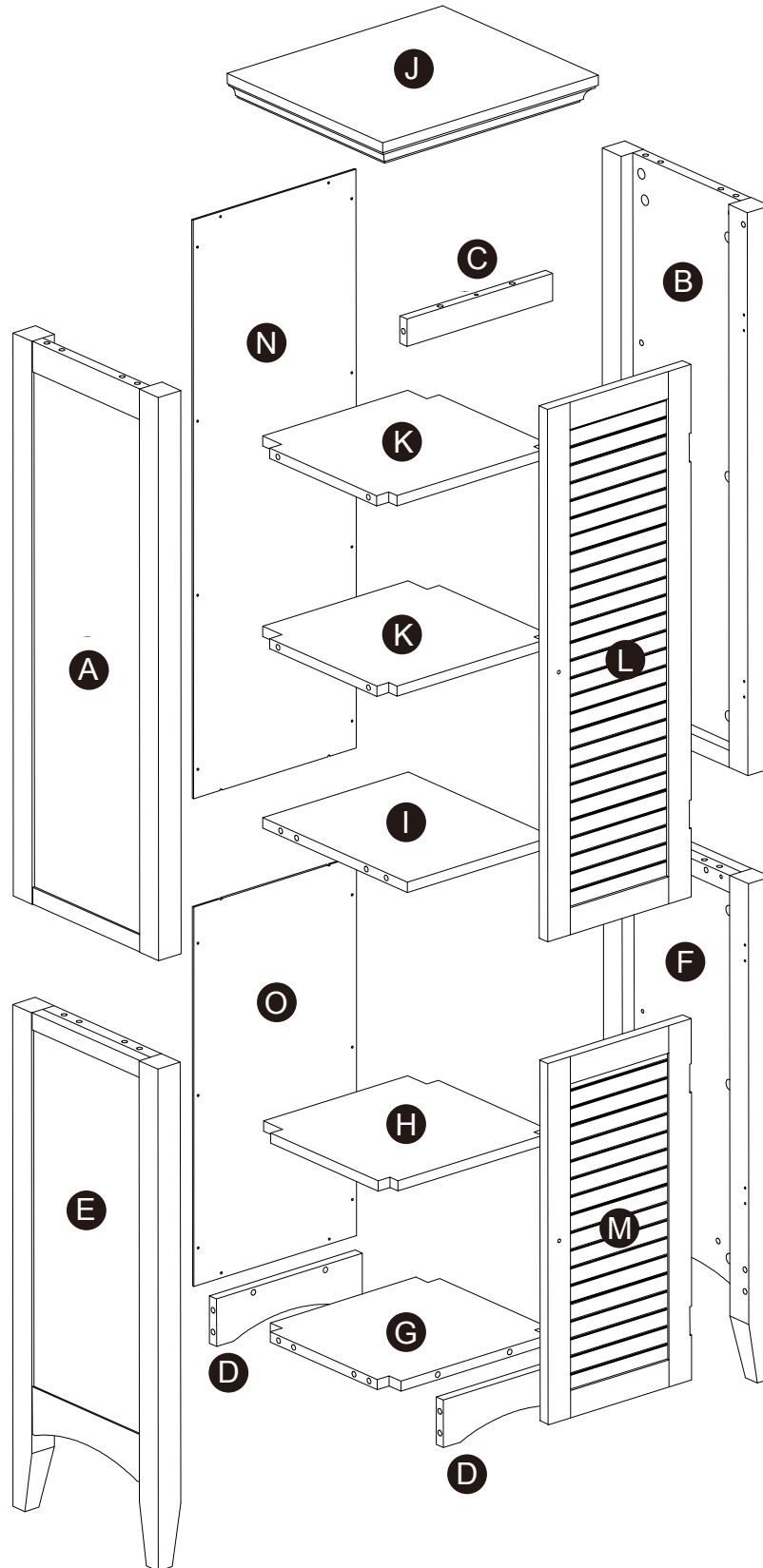
+886(2)2556-6268

Mon - Fri 9:00am ~ 5:00pm GMT+8
✉ sales_ec@teamson.com



** Got questions? Please have your product code (on the first page of this instruction, e.g. TD-12345A) and the order number ready, give us a call or email us through our customer care support! We are always ready to assist you!

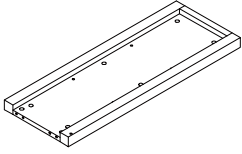
Exploded Drawing



Scan for assembly instructions.

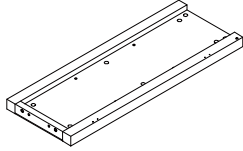
Product Parts

A



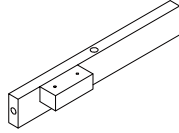
1 PC

B



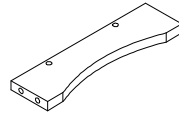
1 PC

C



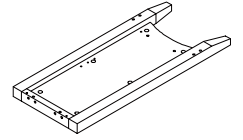
1 PC

D



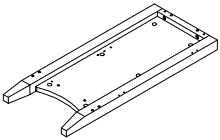
2 PCS

E



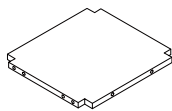
1 PC

F



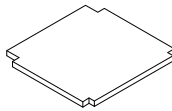
1 PC

G



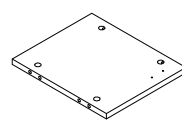
1 PC

H



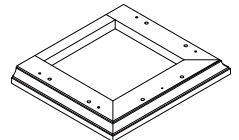
1 PC

I



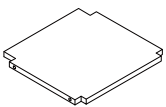
1 PC

J



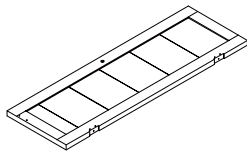
1 PC

K



2 PCS

L



1 PC

! Care Instructions

Dust surface with a dry soft cloth. Do not use window cleaners or cleaning abrasives as they will scratch the surface and could damage the protective coating

! WARNING

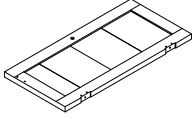
Small parts and sharp edges may be present prior to assembly.



Scan for assembly instructions.

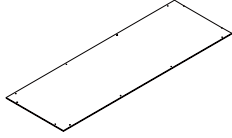
Product Parts

M



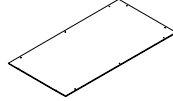
1 PC

N



1 PC

O



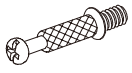
1 PC



Scan for assembly instructions.

Hardware

AA



∅6*34mm

12+1 PCS

BB



∅15*12mm

12+1 PCS

CC



∅8*30mm

40+2 PCS

DD



2 PCS

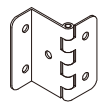
EE



5/32"*19mm

2 PCS

FF



4 PCS

GG



M3*12mm

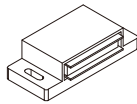
24+1 PCS

HH



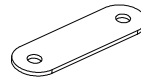
4 PCS

II



2 PCS

JJ



2 PCS

KK



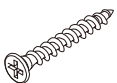
24+1 PCS

LL



24+1 PCS

MM



M4*32mm

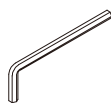
1 PC

NN



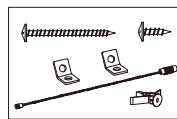
4 PCS

OO



1 PC

PP



1 set



Scan for assembly instructions.

Step 1

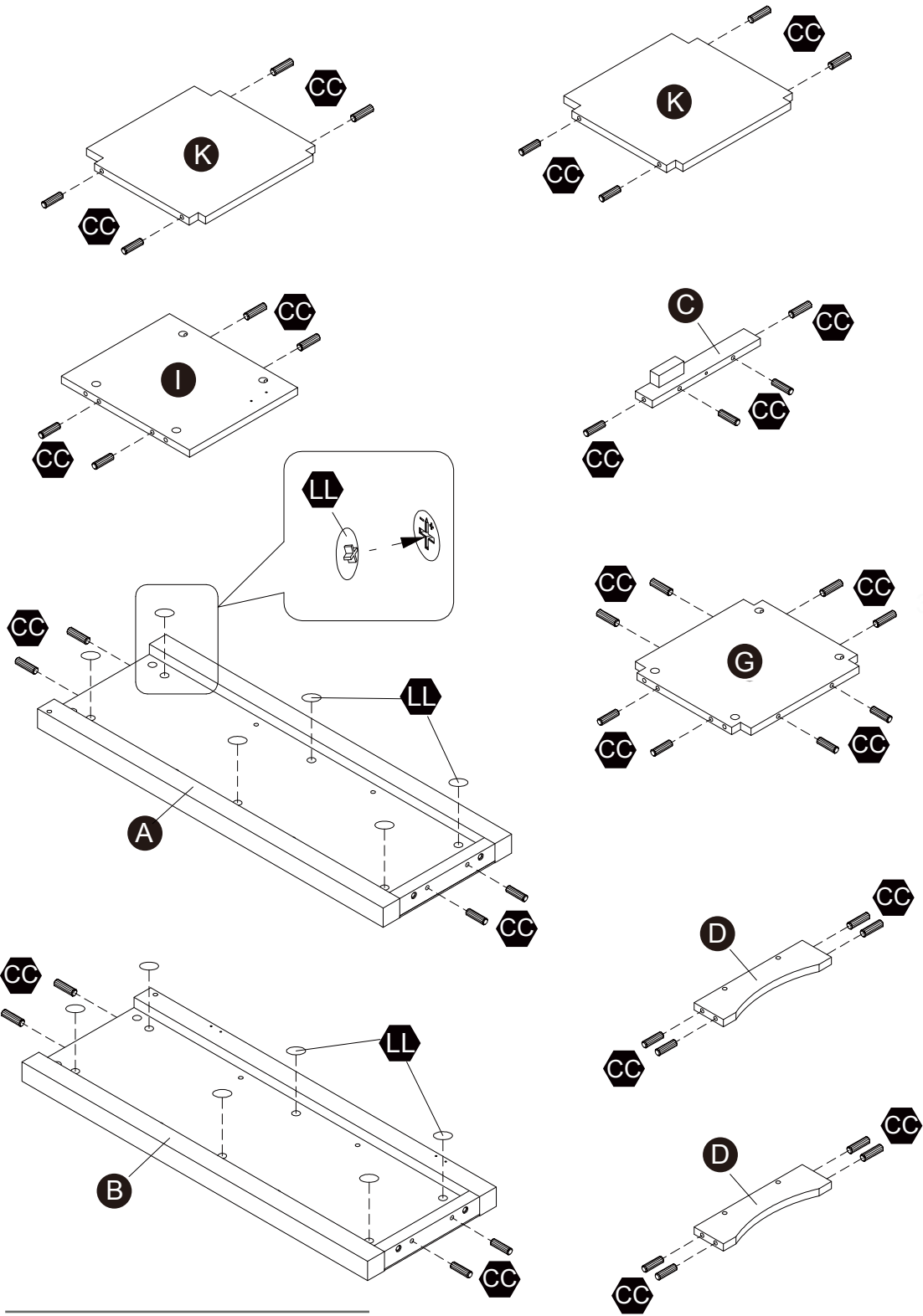


Ø8*30mm

40 pcs

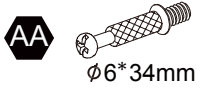


12 pcs



Scan for assembly instructions.

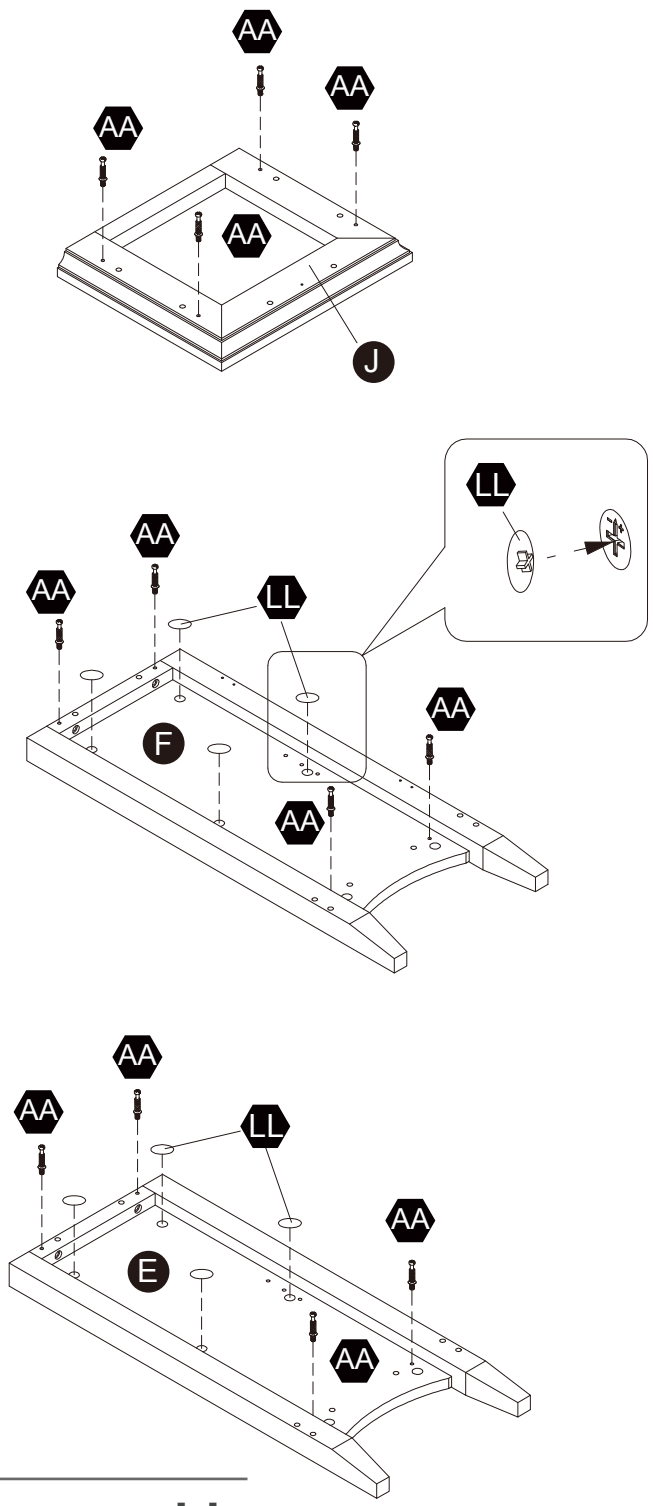
Step 2



12 pcs



8 pcs



Scan for assembly instructions.

Step 3

FF



4 pcs

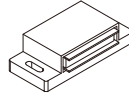
GG



M3 * 12mm

16 pcs

II



2 pcs

JJ

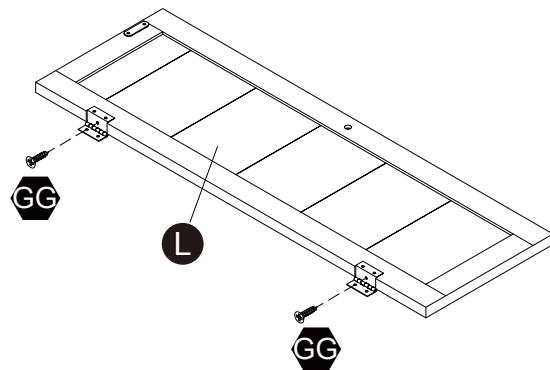
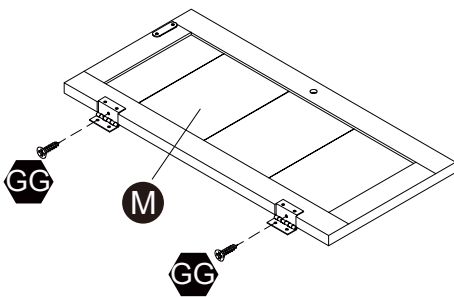
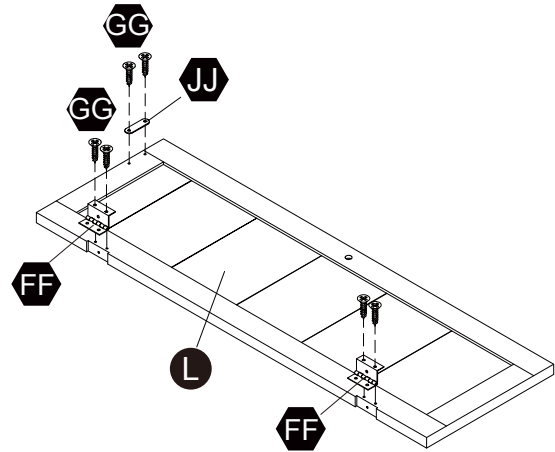
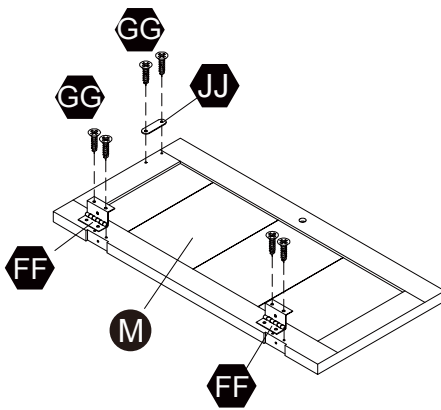
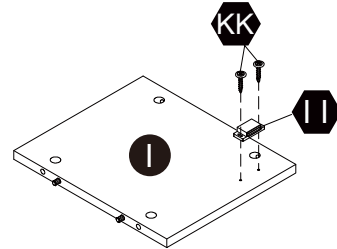
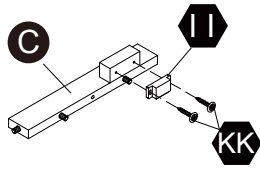


2 pcs

KK



4 pcs



Scan for assembly instructions.

Step 4



4 pcs

Ø15*12mm

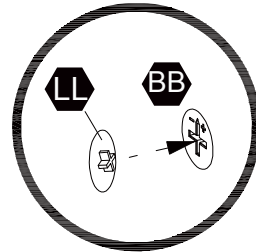
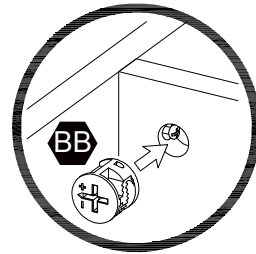
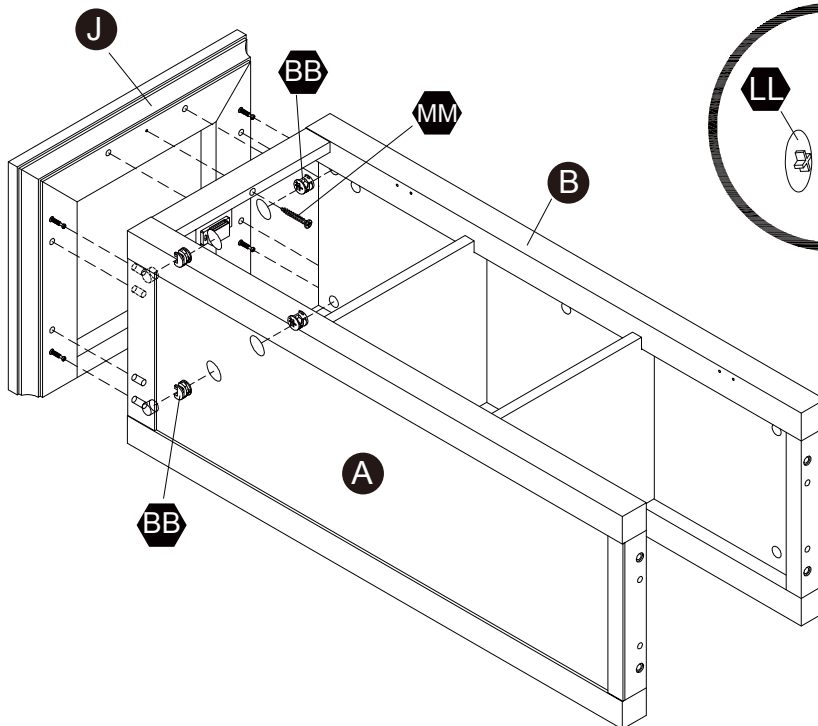
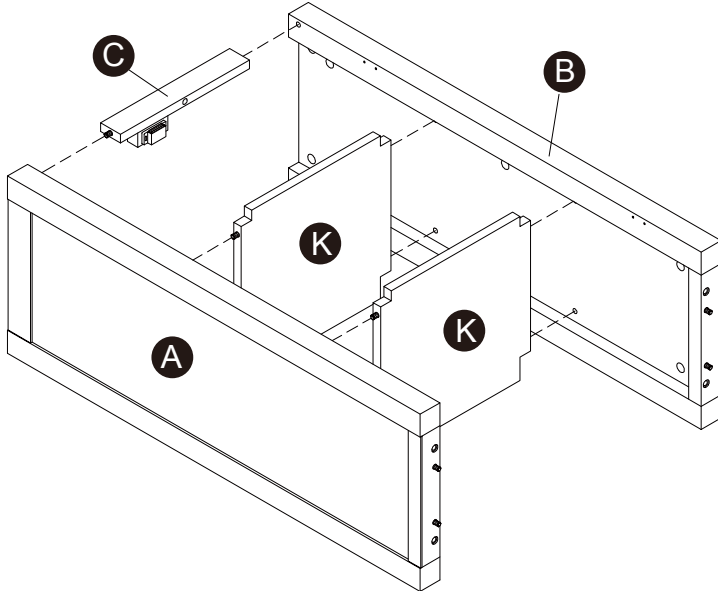


4 pcs



M4*32mm

1 pc



Scan for assembly instructions.

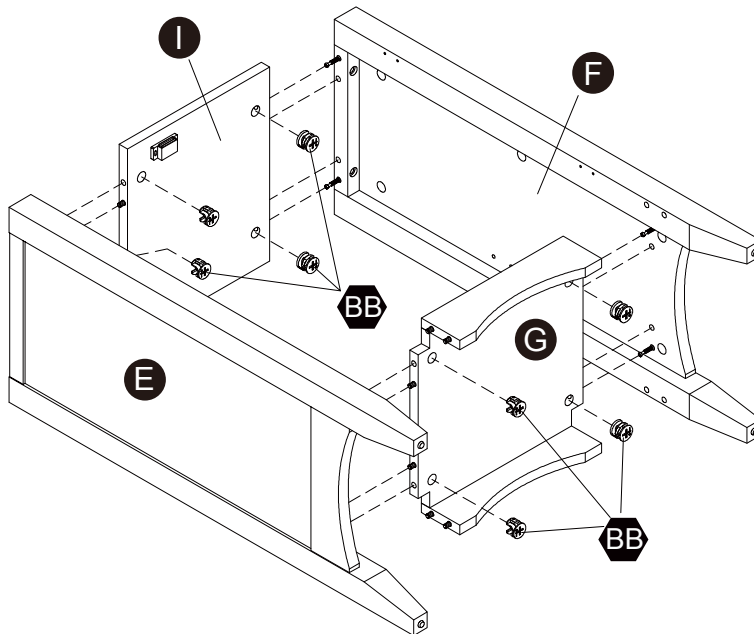
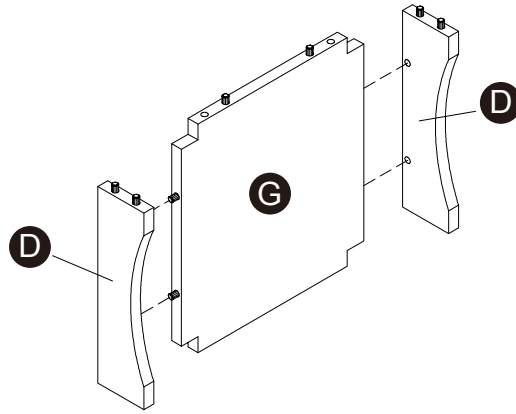
Step 5

BB



8 pcs

Ø15*12mm

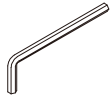


Scan for assembly instructions.

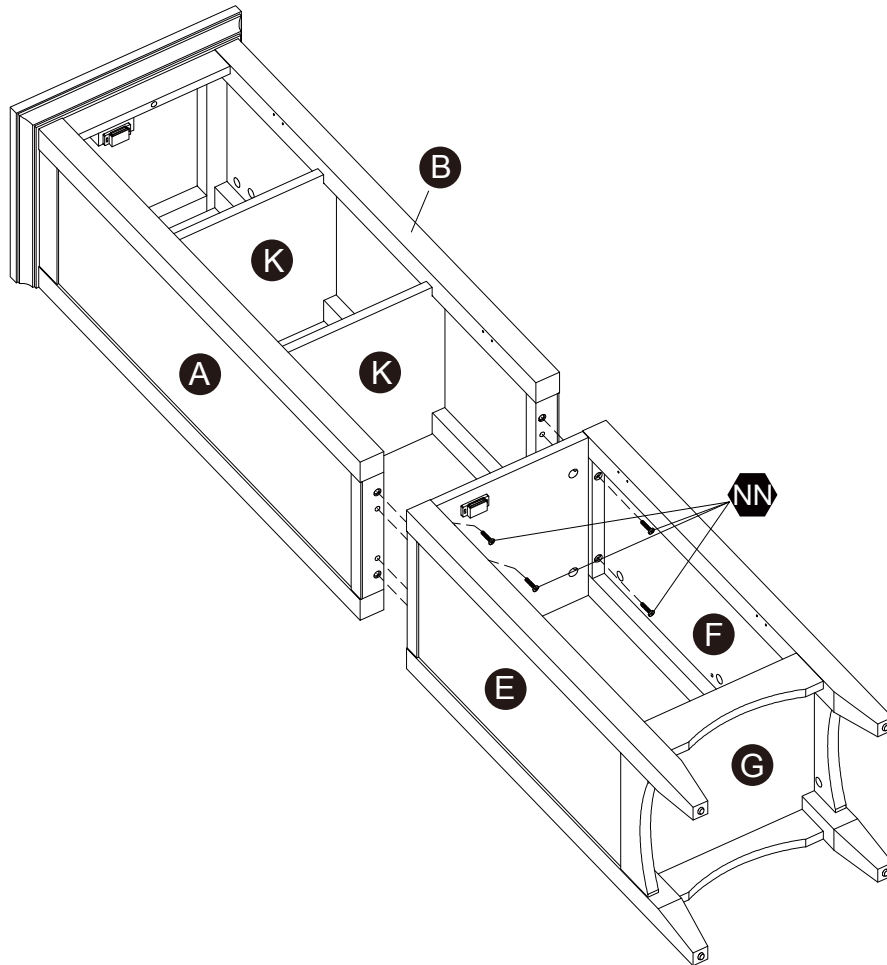
Step 6



4 pcs



1 pc

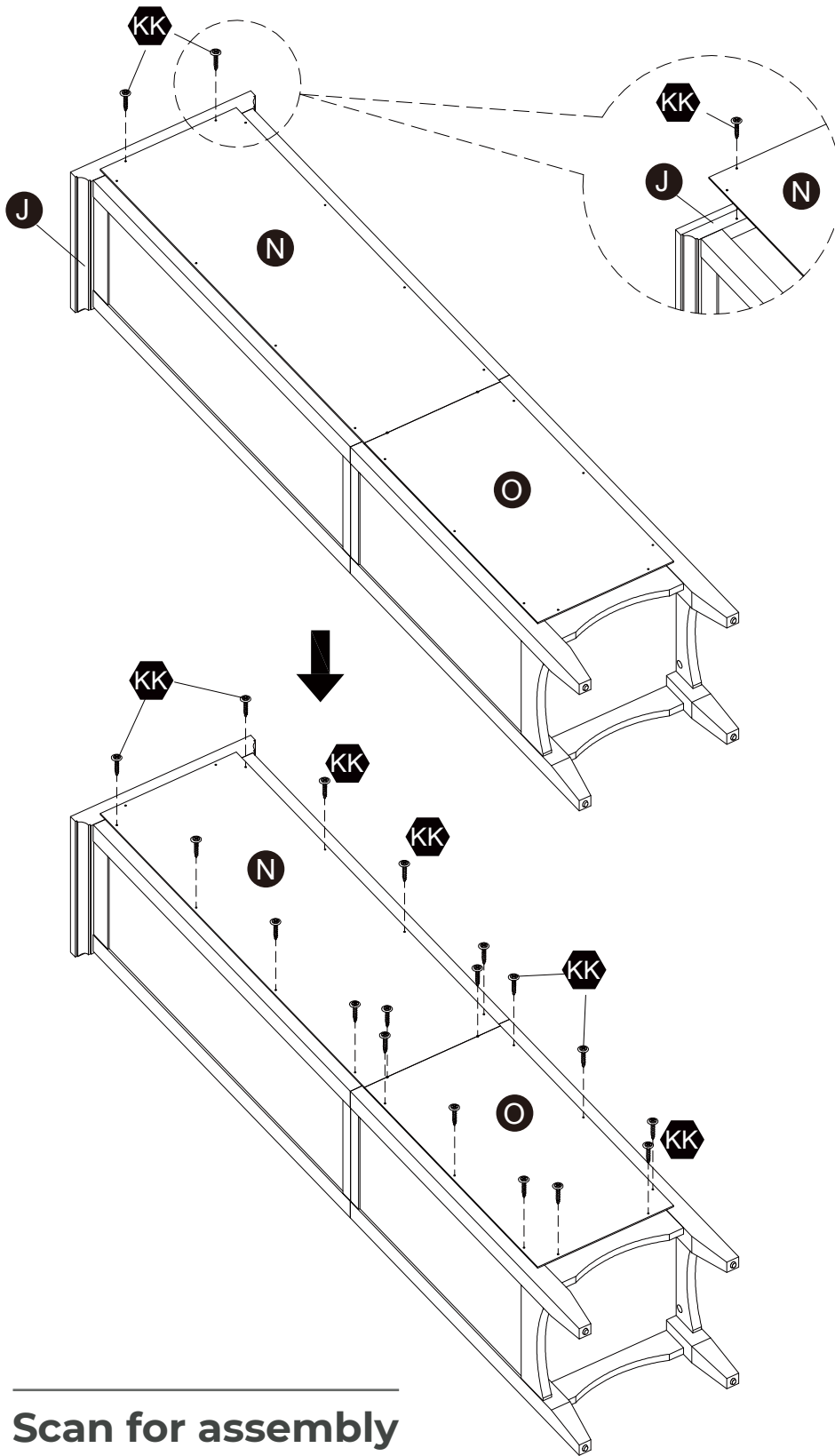


Scan for assembly instructions.

Step 7



20 pcs



Scan for assembly instructions.

Step 8

DD



2 pcs

EE



5/32" * 19mm

2 pcs

GG



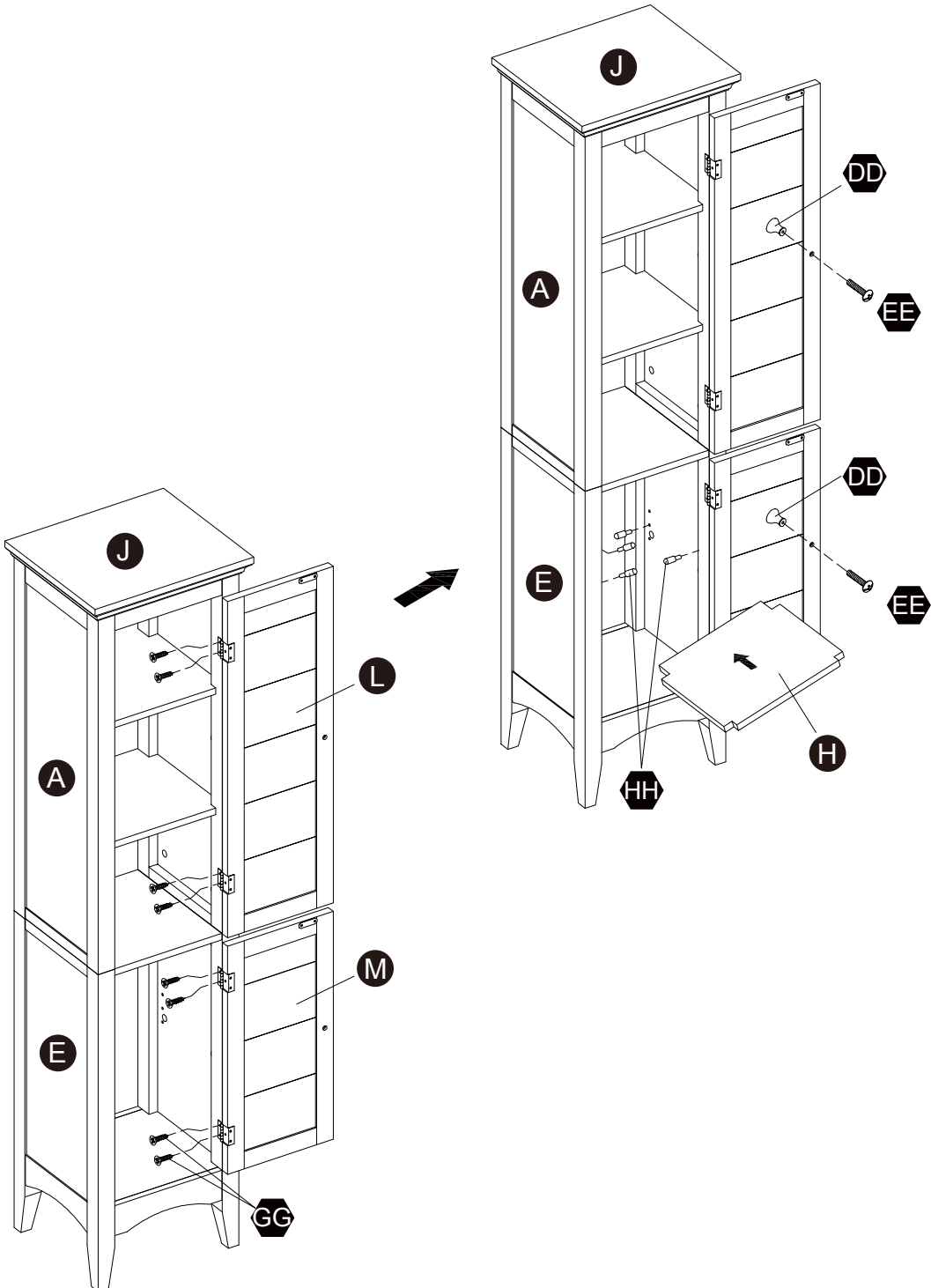
M3 * 12mm

8 pcs

HH



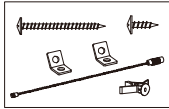
4 pcs



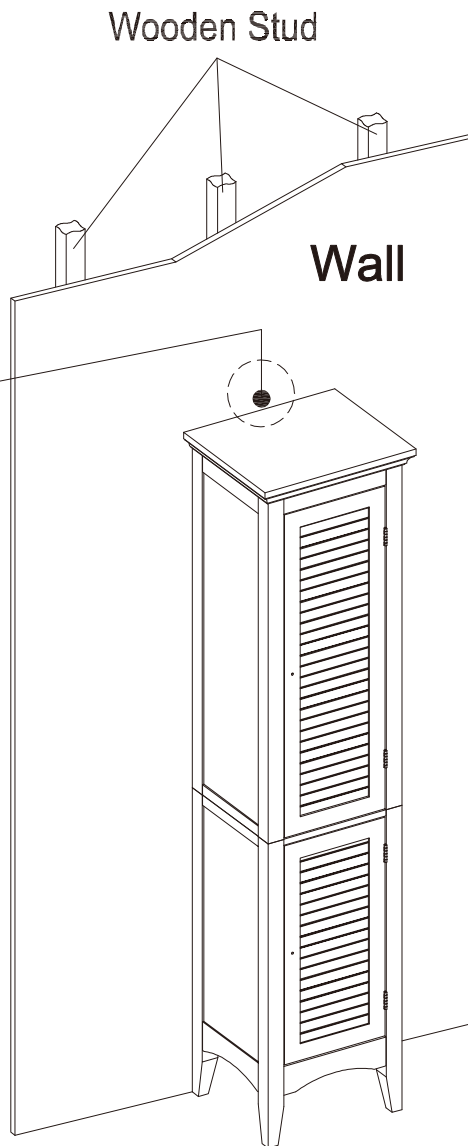
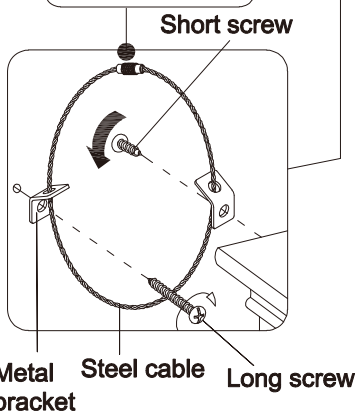
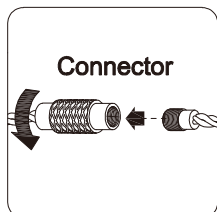
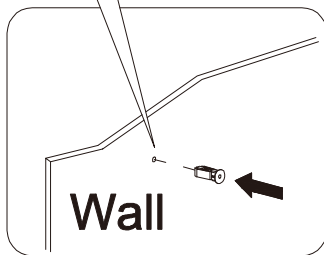
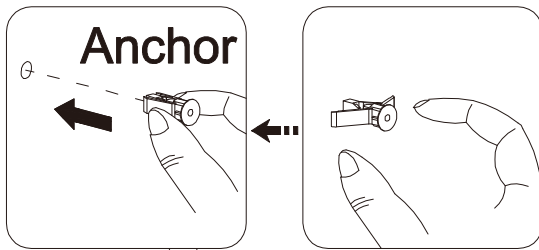
Scan for assembly instructions.

Step 9

PP



1 set



Scan for assembly instructions.