

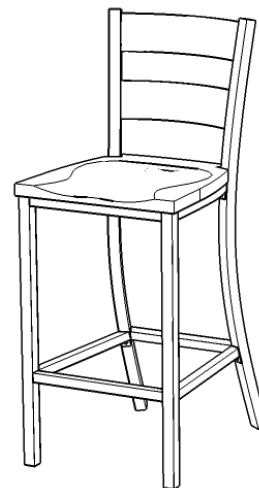
# 88 5411 88 Cabin Creek Bar Stool

## IMPORTANT NOTE

Carefully remove all the parts from the carton and put them individually on a soft cloth to prevent scratches or other damage occurring to the parts.

We have taken great care in the design of this product and request that you carefully and strictly follow our assembly instructions to ensure a completed product as it was designed.

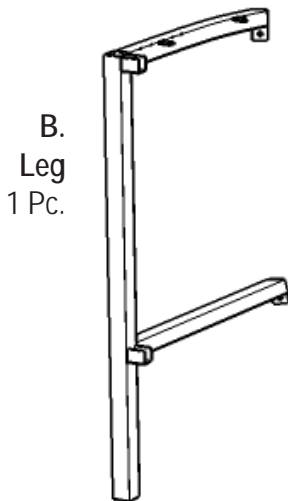
Home  
Styles



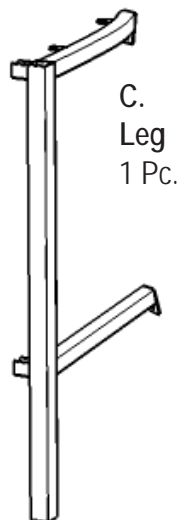
## Part List



A.  
Seat  
1 Pc.



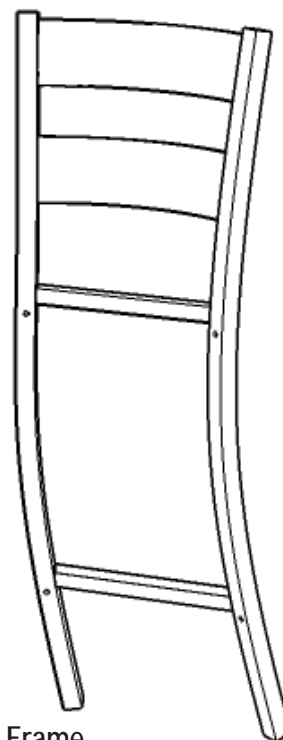
B.  
Leg  
1 Pc.



C.  
Leg  
1 Pc.



D.  
Stretcher  
2 Pcs.



E.  
Back Frame  
1 Pc.

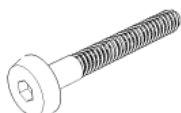
## Hardware List



Small Hex Wrench  
1 Pc.



Hex Wrench  
1 Pc.



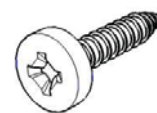
Head Cap Bolt  
8 Pcs. (+1 extra)



Spring Washer  
8 Pcs. (+1 extra)



Flat Washer  
8 Pcs. (+1 extra)



Wood Screw  
4 Pcs. (+1 extra)

Tools required for assembly : Phillips screwdriver

Home Styles Consumer Assistance: [www.homestyles-furniture.com](http://www.homestyles-furniture.com),  
[servicedesk@homestyles-furniture.com](mailto:servicedesk@homestyles-furniture.com), 888-680-7460, 877-831-0319

# Assembly Instructions 2/2

## IMPORTANT

- \* Please keep Hex Wrench in a safe place as you may need to tighten up the Head Cap Bolts in the future.
- \* Do not tighten up all the screws until each part is properly assembled.
- \* Use a soft cloth between these parts and the floor.

## STEP 1

Attach Stretchers (D) to Leg (B) with Head Cap Bolts, Spring Washers and Flat Washers. (see Figure 1)

Attach Leg (C) to unit with Head Cap Bolts, Spring Washers and Flat Washers.

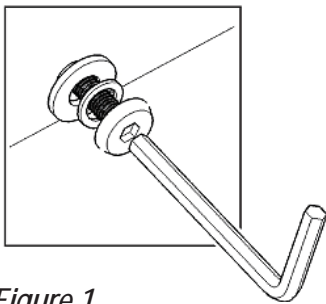
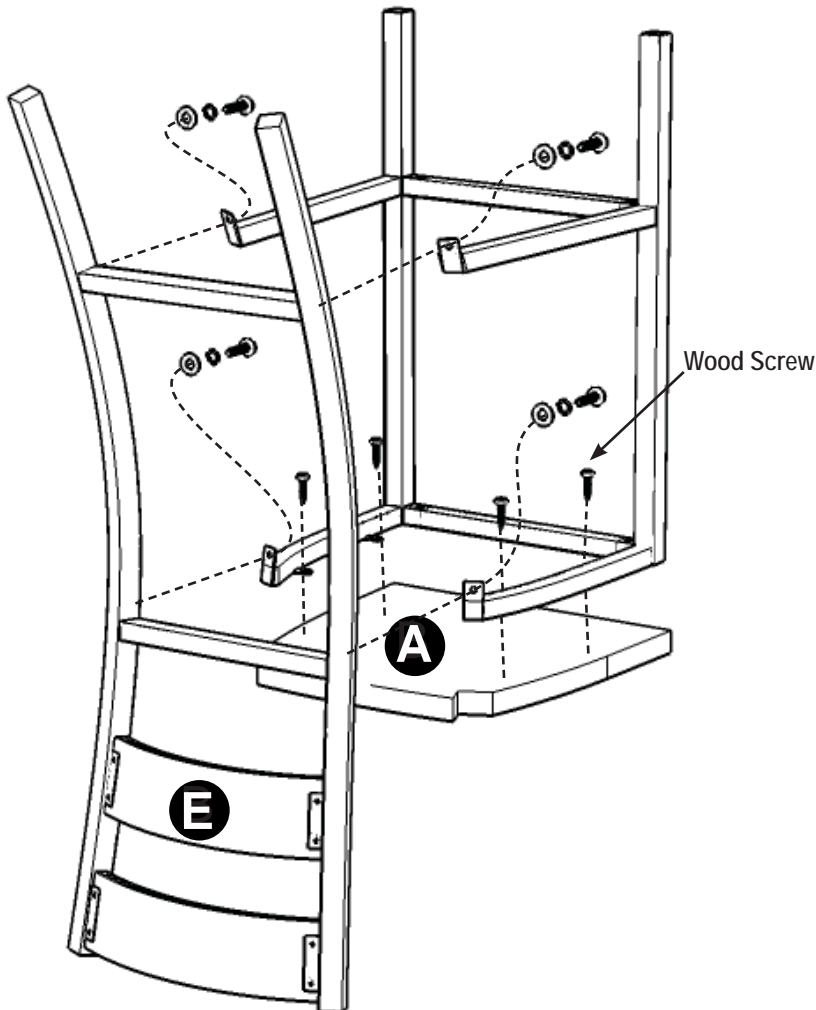
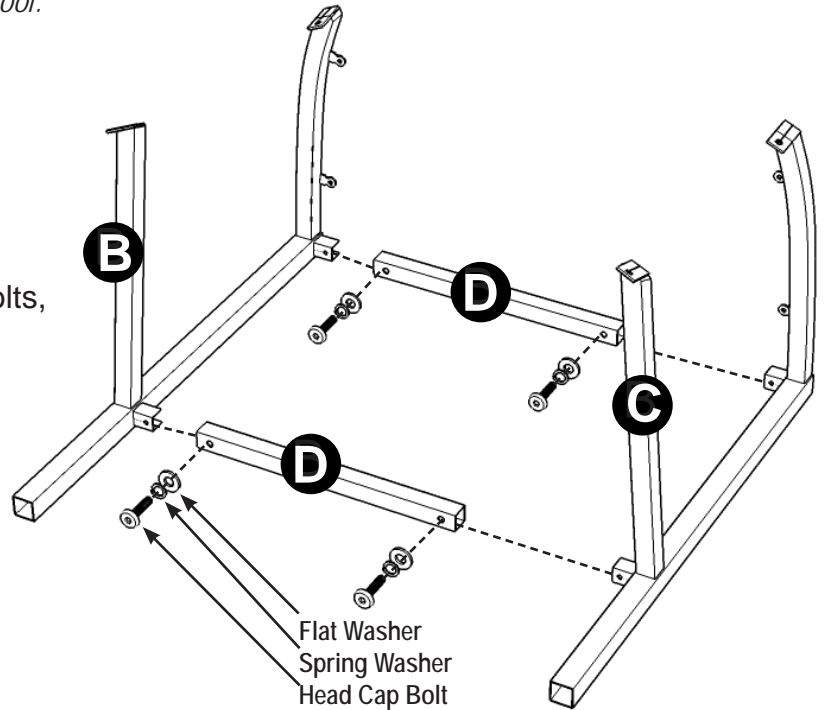


Figure 1



## STEP 2

Attach Seat (A) to unit with Wood Screws.

Attach Back Frame (E) To unit with Head Cap Bolts, Spring Washers and Flat Washers.

Turn the unit to its' upright position.