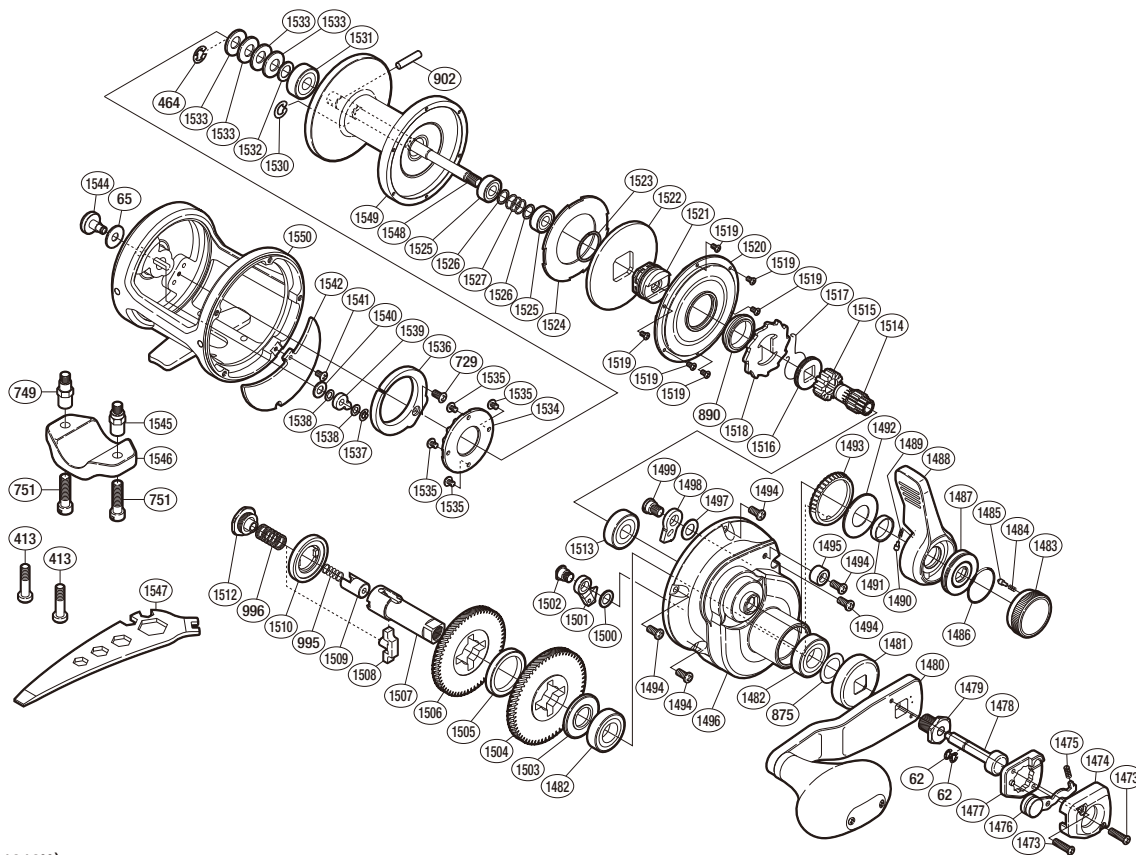


SHIMANO

TALICA

TAC-10II



(51RJ261010U)

#	Part No.	Description	#	Part No.	Description	#	Part No.	Description
0062	105NK	E Lock	1494	10K05	Screw	1525	105CA	Ball Bearing
0065	104H2	Spacer	1495	10CAB	Bolt Shield	1526	10HV5	Washer
0464	105RY	E Lock	1496	109G1	Right Side Plate	1527	1060F	Pressure Release Spring
0729	103E9	Screw	1497	10GA1	Washer	1530	13JYP	C Lock
0875	10J1C	Washer	1498	10PKK	Anti-Reverse Pawl	1531	108PJ	Ball Bearing
0890	10EW9	Waterproof Ring	1499	10PE4	Anti-Reverse Pawl Pin	1532	10G8H	Washer
0902	10MCU	Cross Pin	1500	10GA2	Washer	1533	10528	Coned Disc Spring
0995	109VM	Drive Shaft Spring B	1501	10MW3	Anti-Reverse Pawl	1534	104F3	Click Gear
0996	10KXQ	Drive Shaft Spring	1502	10PE5	Anti-Reverse Pawl Pin	1535	10MPC	Screw
1473	10M2N	Screw	1503	10D5Y	Drive Gear Washer	1536	1046F	Click Spring
1474	109XF	Push Button Shield	1504	10QKE	Drive Gear A	1537	105S1	C Lock
1475	10PWJ	Slide Plate Spring	1505	10D64	Drive Gear Washer	1538	10HV2	Washer
1476	10NLB	Slide Plate	1506	109WV	Drive Gear B	1539	10GQV	Click Pawl
1477	10PBN	Handle Bolt Plate	1507	10D6K	Drive Shaft	1540	10G88	Spacer
1478	109XA	Push Low Button Shaft	1508	10KXJ	Gear Select Cross Bar	1541	10LVE	Screw
1479	106XP	Handle Bolt	1509	10KXN	Cross Bar Stop	1542	105WP	Set Plate
1480	102VL	Handle	1510	10D5D	Drive Gear Washer	1544	104GW	Click Button
1481	10KZR	Drive Shaft Shield	1512	10FFA	Drive Shaft Screw	1548	10F06	Spool Shaft
1482	104PW	Ball Bearing	1513	104VJ	Ball Bearing	1549	10GYR	Spool
1483	108F8	Pre-Program Dial	1514	10A4H	Pinion Gear A	1550	10KBG	One-Piece Frame
1484	10K07	Click Spring	1515	10N9L	Pinion Gear B			
1485	10JX6	Click Pin	1516	10CDJ	Anti-Reverse Pawl Spring Holder			
1486	108WE	O Ring	1517	10CDH	Anti-Reverse Pawl Spring			
1487	10CC9	Lever Shaft Body	1518	10DAK	Anti-Reverse Ratchet	0413	10A7C	Rod Clamp Bolt (Accessory)
1488	108BC	Drag Control Lever	1519	10PRS	Screw	0749	10JC8	Rod Clamp Nut (Accessory)
1489	10C3X	Lever Click Shoe	1520	104R0	Cooling Shield	0751	10JBV	Rod Clamp Bolt (Accessory)
1490	10C3V	Lever Click	1521	10AC0	Pinion Guard	1545	10JCC	Rod Clamp Nut (Accessory)
1491	108DQ	Lever Thrust Ring	1522	10G4E	Drag Plate	1546	10AS3	Rod Clamp (Accessory)
1492	10G89	Washer	1523	10EVW	Seal Lock			
1493	10F6A	Lever Click Gear	1524	10G3T	Drag Washer	1547	10MJ8	Wrench (Accessory)

Please note that the number of adjusting washers may not be the same as shown in the exploded views.
(Adjustment will vary with each individual product.)

(230306)_002