



Extended Warranty
Sign Up

E-1

Welcome home!

VN-L00004

VN-L00005

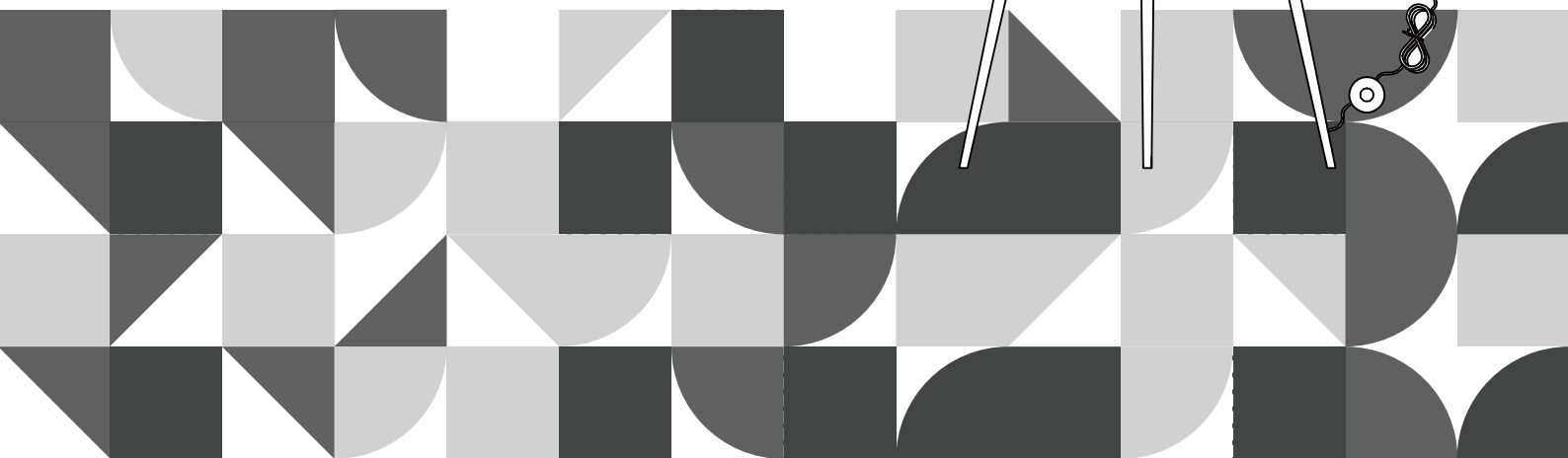
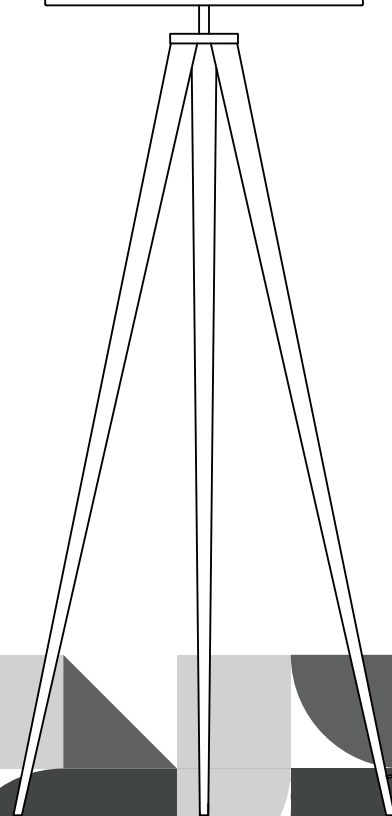
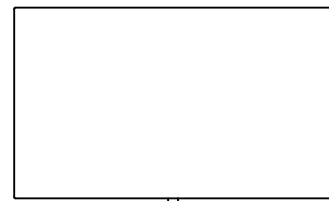
VN-L00006

VN-L00007

VN-L00007WG

TEAMSON HOME

Romanza Tripod Floor Lamp





**Questions? Comments? Need help?
Call or email us any time!**

Global Customer Service

USA

+1(800)935-3959

Mon - Fri 10:00am ~ 2:00pm EST
✉ support@teamson.com

EU/UK

+44(0)1952-916-050

Mon - Thu 9:00am ~ 5:00pm GMT
Friday 9:00am ~ 4:00pm GMT
✉ support@teamson.co.uk

If the external flexible cable or cord of this luminaire is damaged, it shall be exclusively replaced by teamson.uk or a similar qualified person in order to avoid a hazard.

ASIA

深圳办公室:

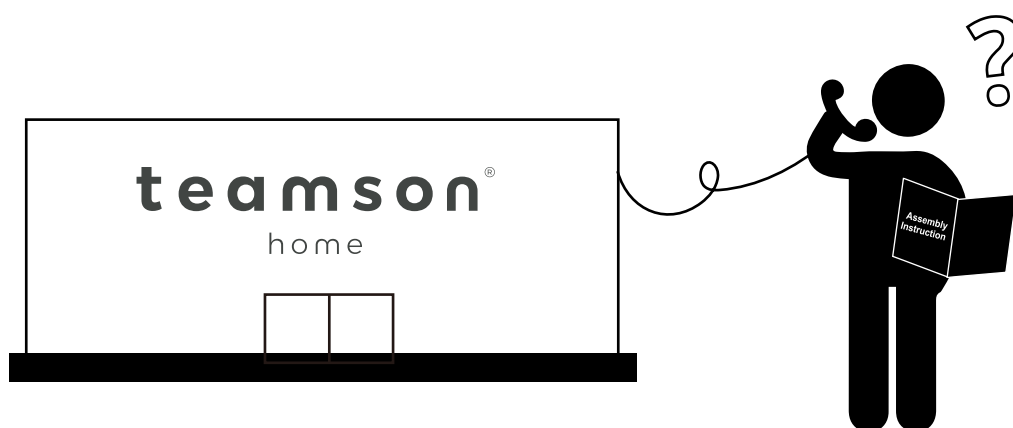
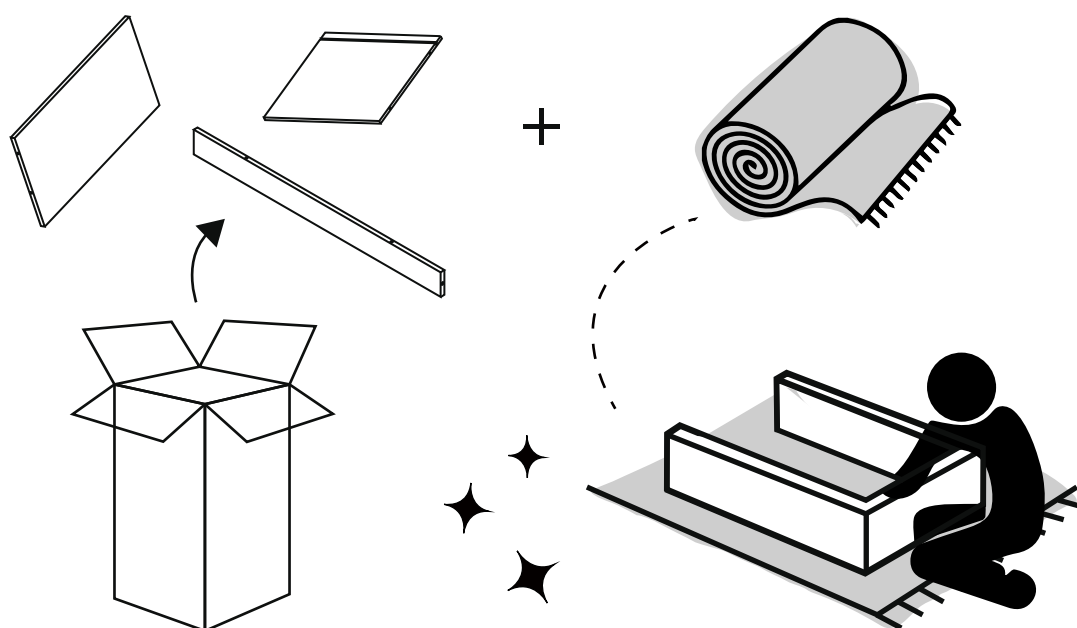
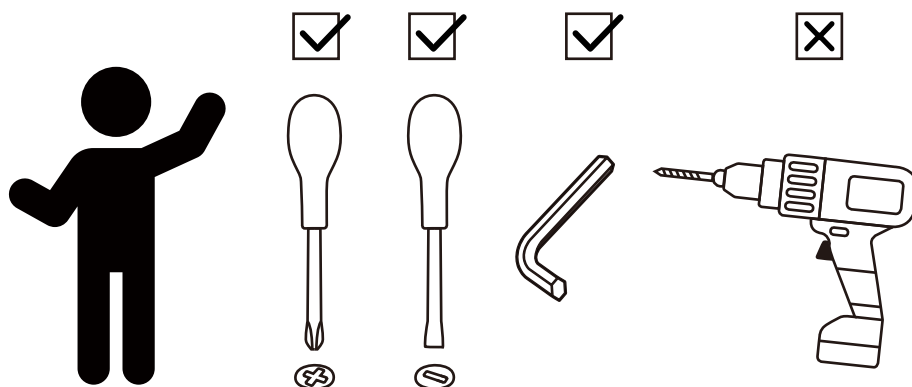
+86(0755)8885-3558.分机号331

Mon - Sat 9:00am ~ 5:00pm GMT+8
✉ sales_ec@teamson.com

台北办公室:

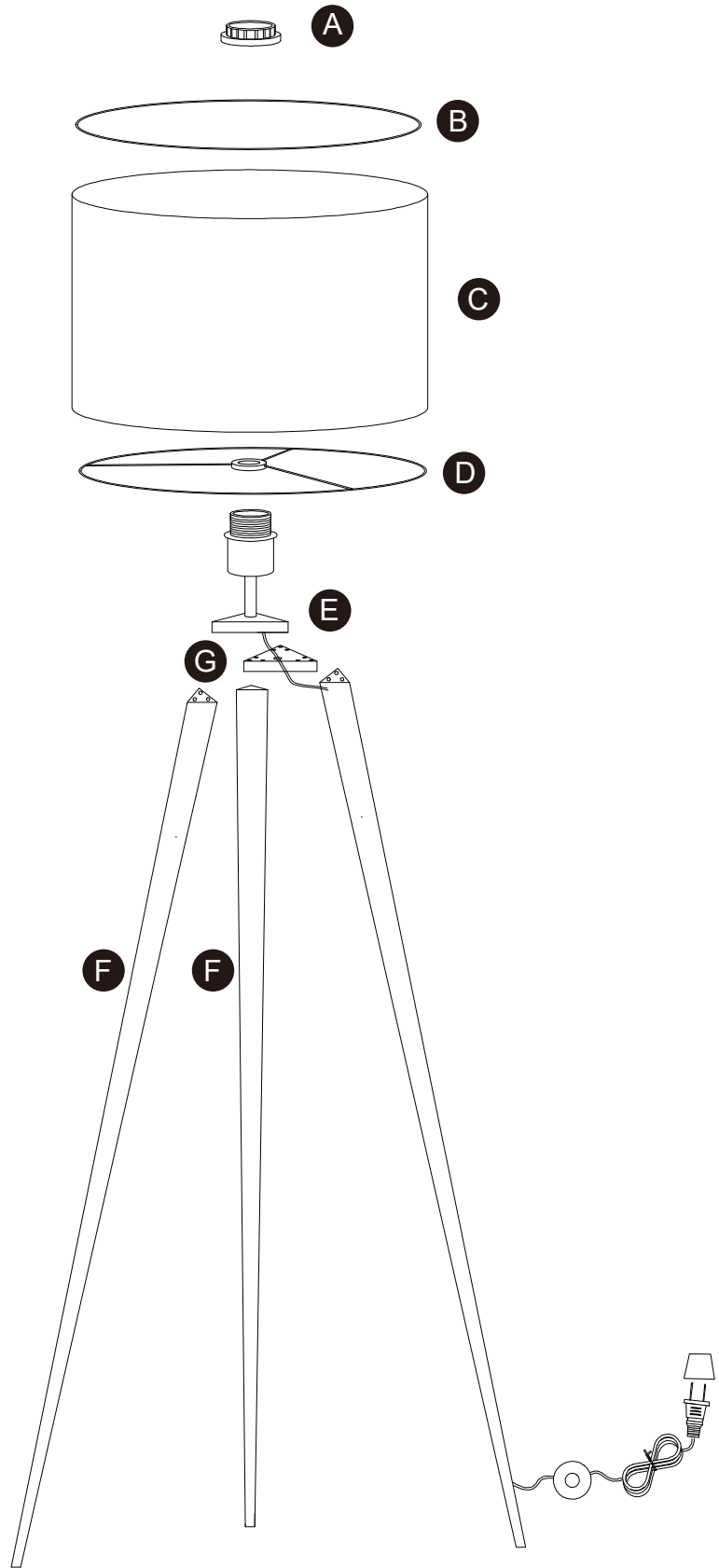
+886(2)2556-6268

Mon - Fri 9:00am ~ 5:00pm GMT+8
✉ sales_ec@teamson.com



** Got questions? Please have your product code (on the first page of this instruction, e.g. TD-12345A) and the order number ready, give us a call or email us through our customer care support! We are always ready to assist you!

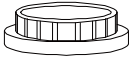
Exploded Drawing



Scan for assembly instructions.

Product Parts

A



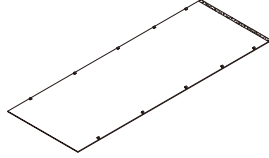
1 PC

B



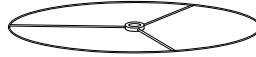
1 PC

C



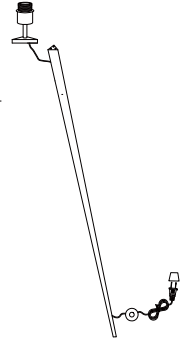
1 PC

D



1 PC

E



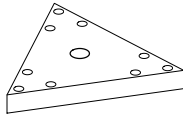
1 PC

F



2 PCS

G



1 PC

! Care Instructions

Dust surface with a dry soft cloth. Do not use window cleaners or cleaning abrasives as they will scratch the surface and could damage the protective coating

! WARNING

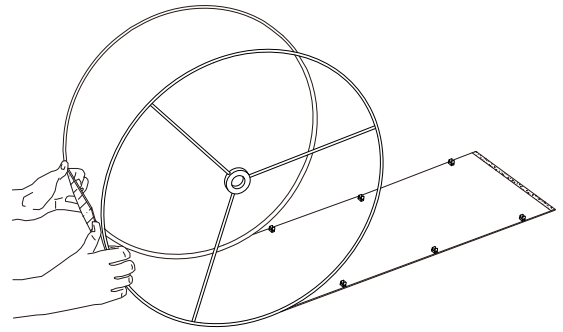
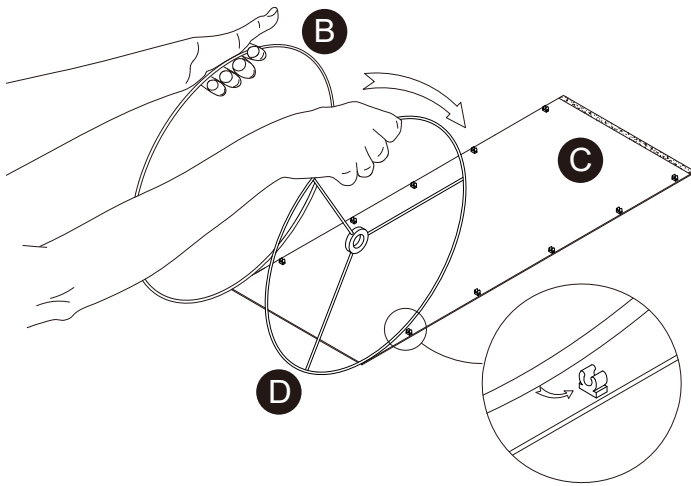
Small parts and sharp edges may be present prior to assembly.



Scan for assembly instructions.

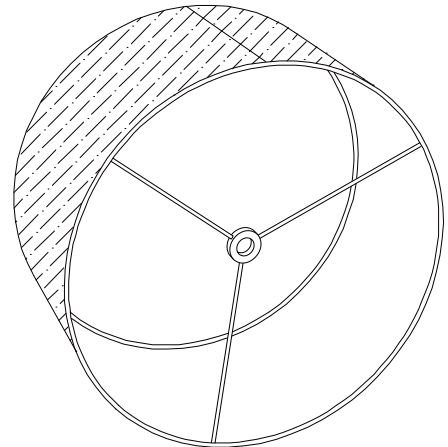
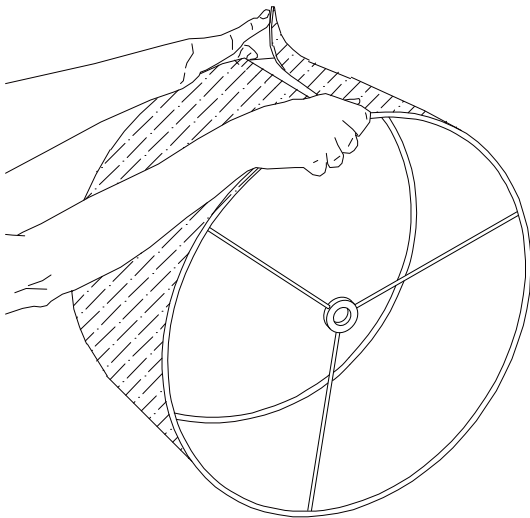
Step 1

Step 2



Step 3

Step 4



Scan for assembly instructions.

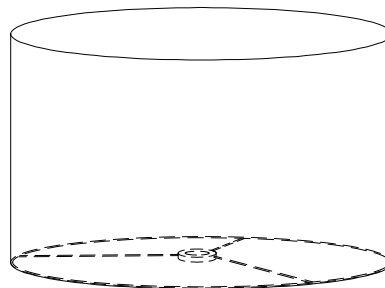
(Bulb not included)



Step 8



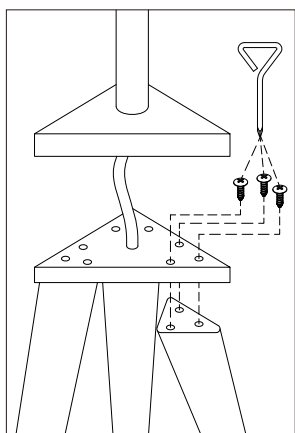
Step 7



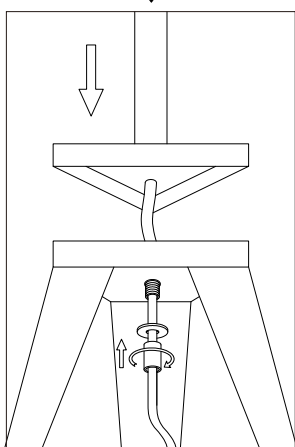
C



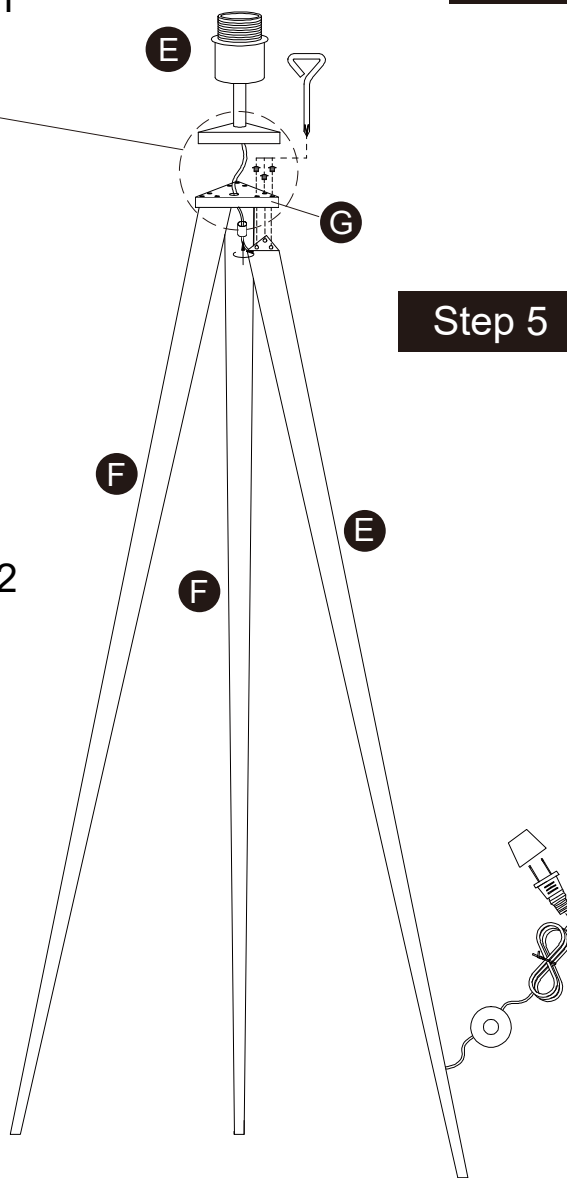
Step 6



Step 1



Step 2



Step 5



Scan for assembly instructions.