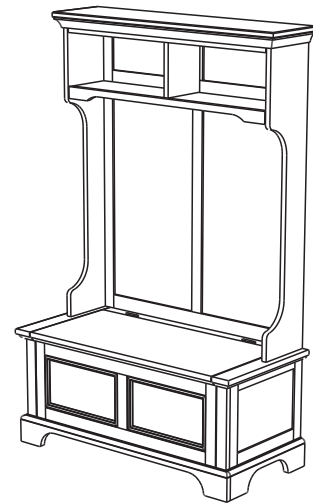


Hall Tree Stand



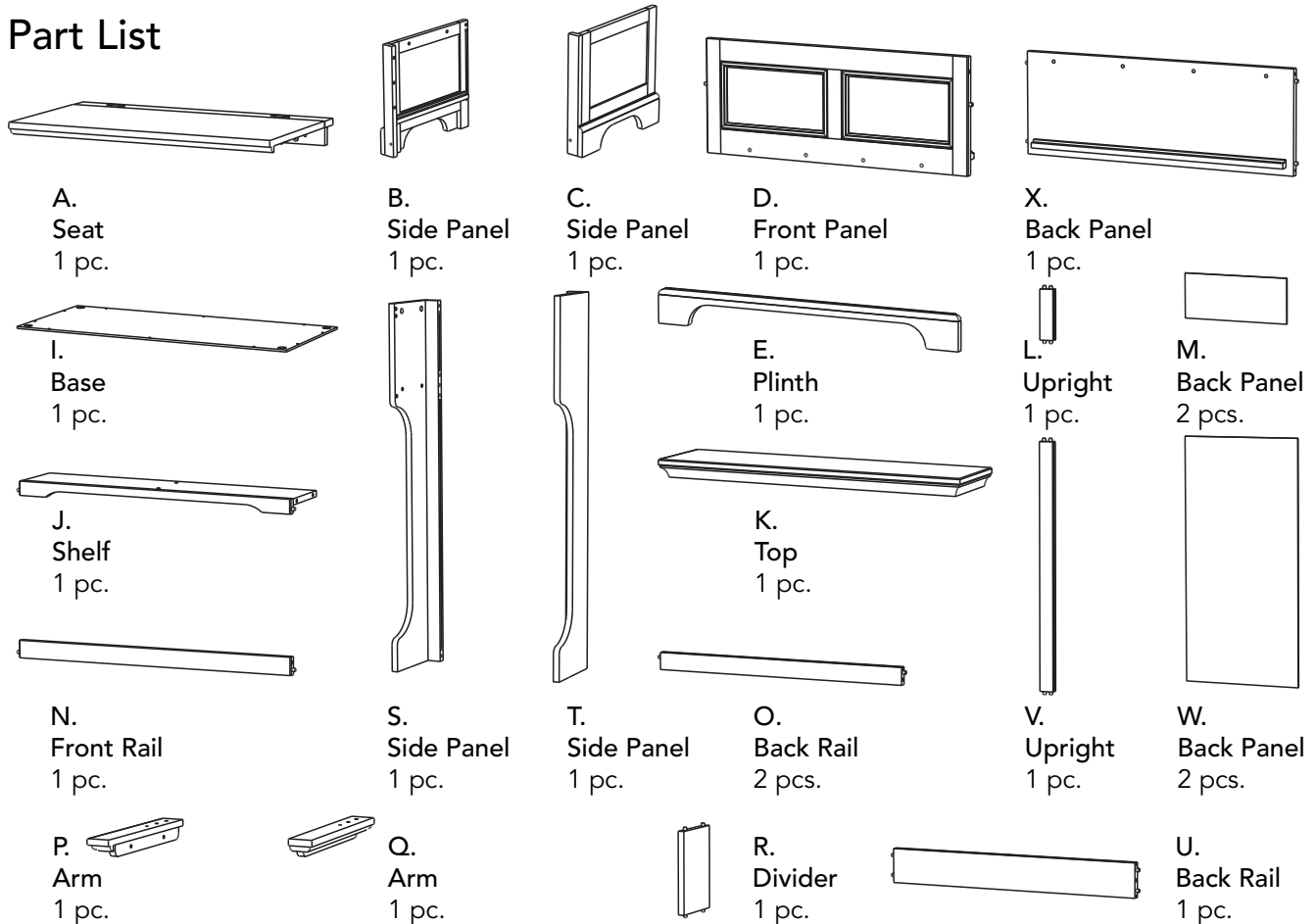
IMPORTANT

Carefully remove all the parts from the carton and place them individually on a soft cloth to prevent scratches or other damage.

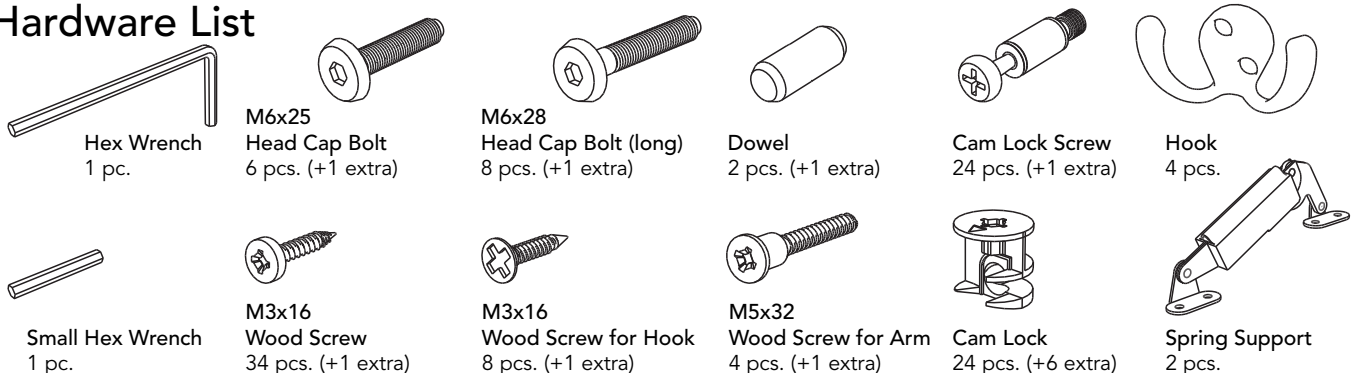
Carefully and strictly follow these assembly instructions to ensure a completed product as designed.

Do not use power tools above 8 volts to assemble.

Part List



Hardware List



Tool(s) required for assembly: Phillips screwdriver, Level, Drill (8 volts or less), 3/8" Drill Bit

Assembly Instructions 2/11

IMPORTANT

- Use a soft cloth between these parts and the floor.
- Do not use power tools above 8 volts to assemble.
- Do not tighten all the bolts until each part is properly assembled.
- Keep Hex Wrench as the bolts may need to be tightened in the future.

STEP 1

Insert Cam Lock Screws into pre-drilled holes in Side Panels (B), (C), (S), (T) and Top (K), then tighten.
(See Figure 1)

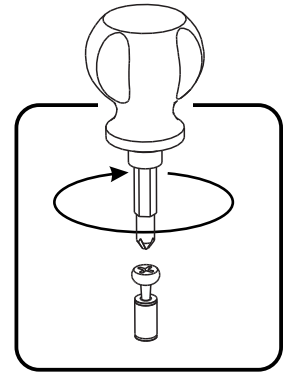
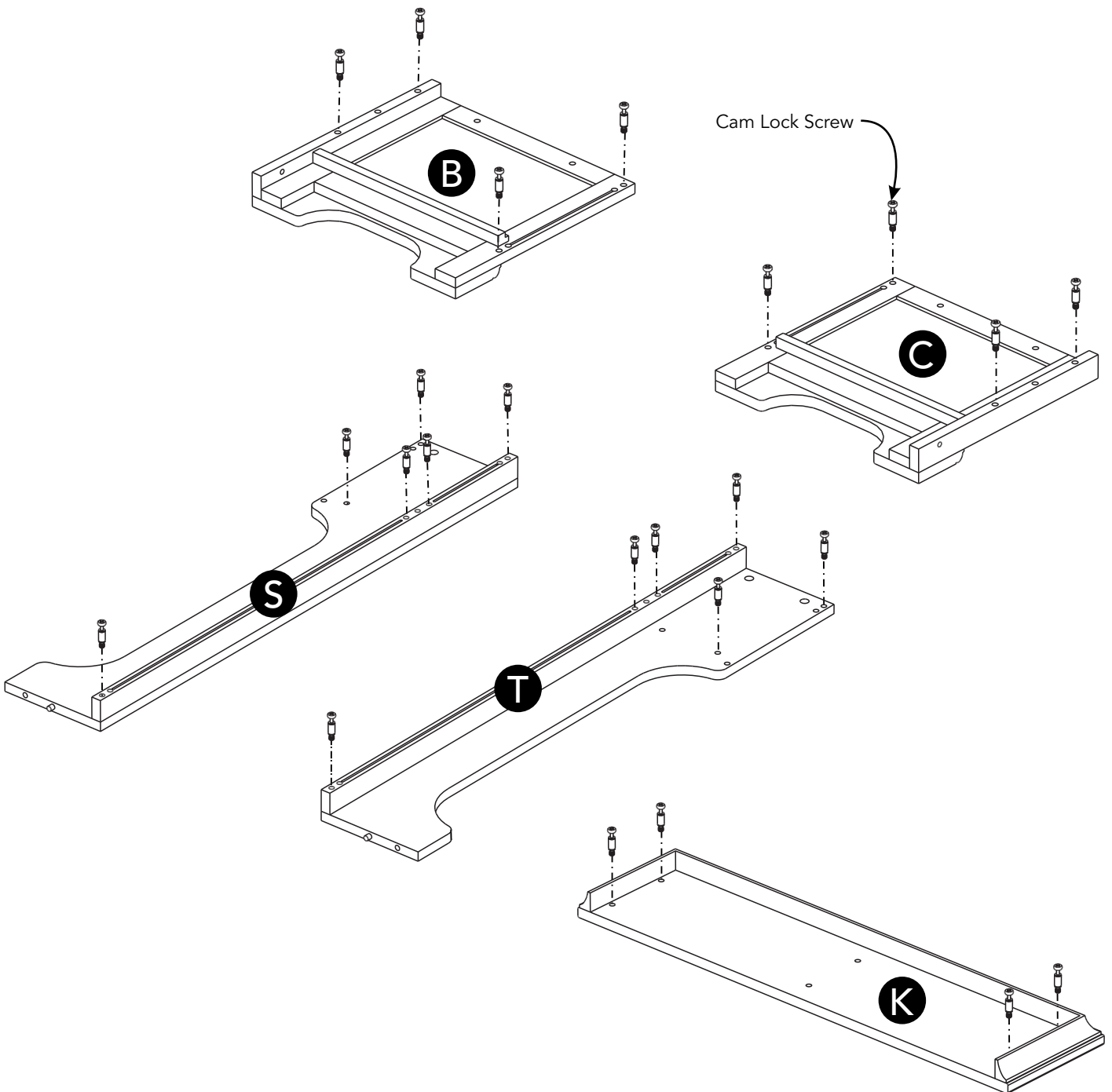


Figure 1



STEP 2

Attach Front Panel (D) to Plinth (E) with Head Cap Bolts.
(See Figure 2)

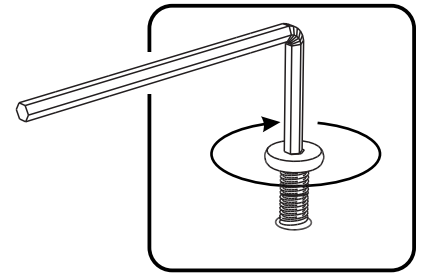
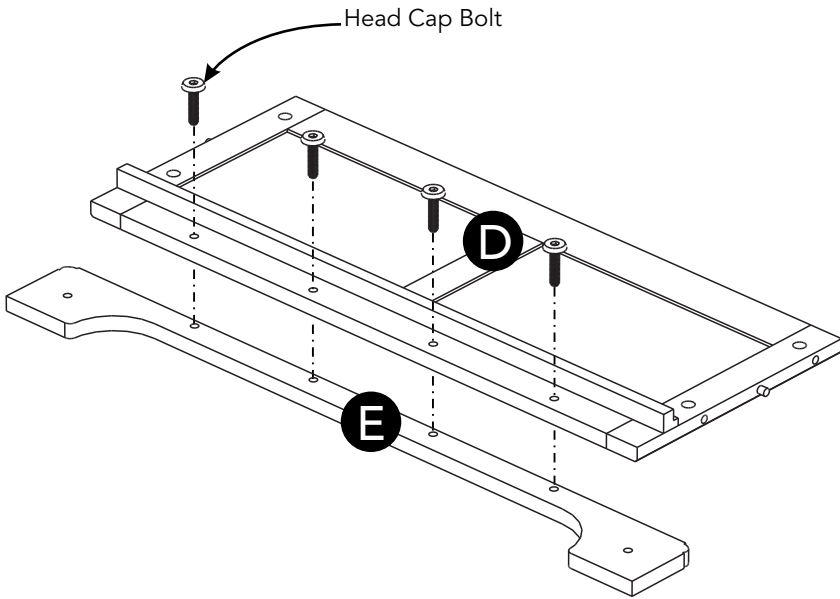
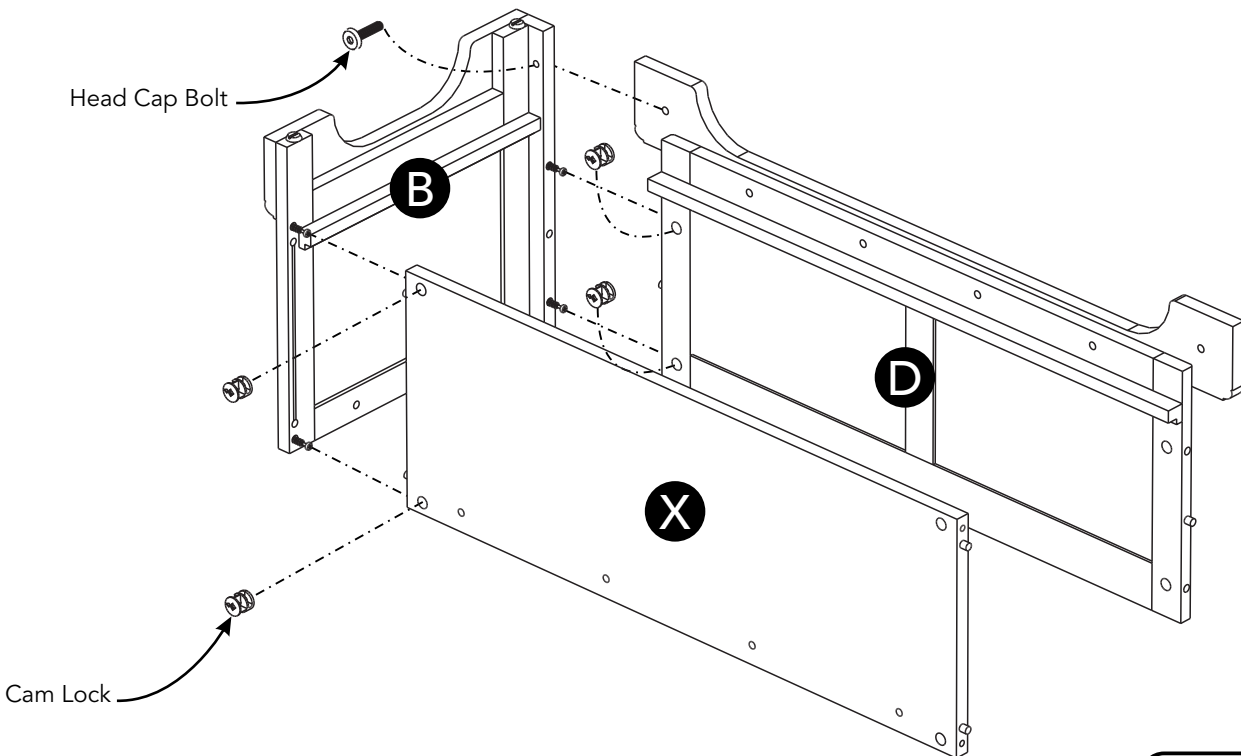


Figure 2



STEP 3

Attach Front Panel (D) and Back Panel (X) to Side Panel (B)
with Cam Locks and Head Cap Bolt.
(See Figure 3)

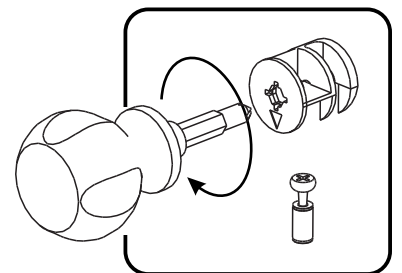
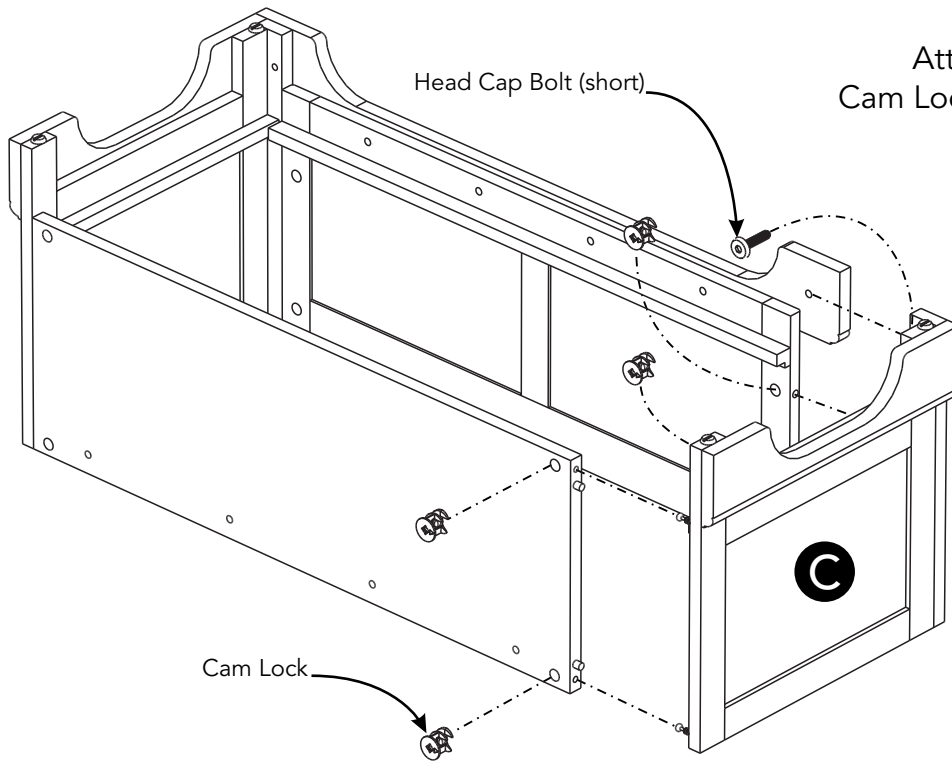


Figure 3

STEP 4



Attach Side Panel (C) to unit with Cam Locks and Head Cap Bolt (short).

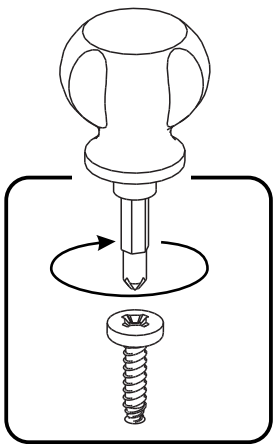
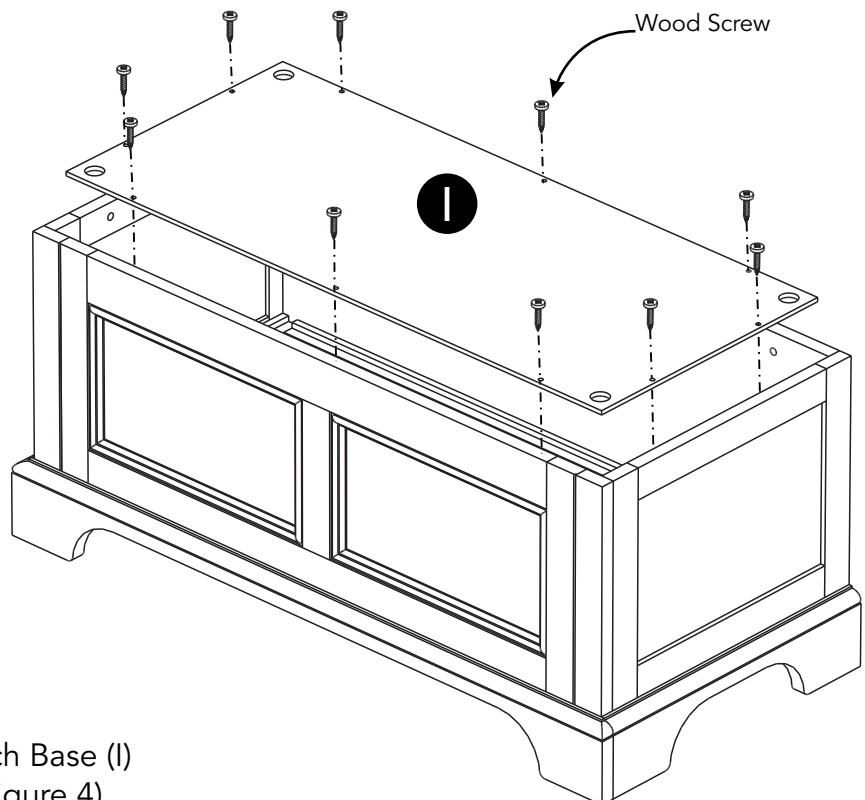


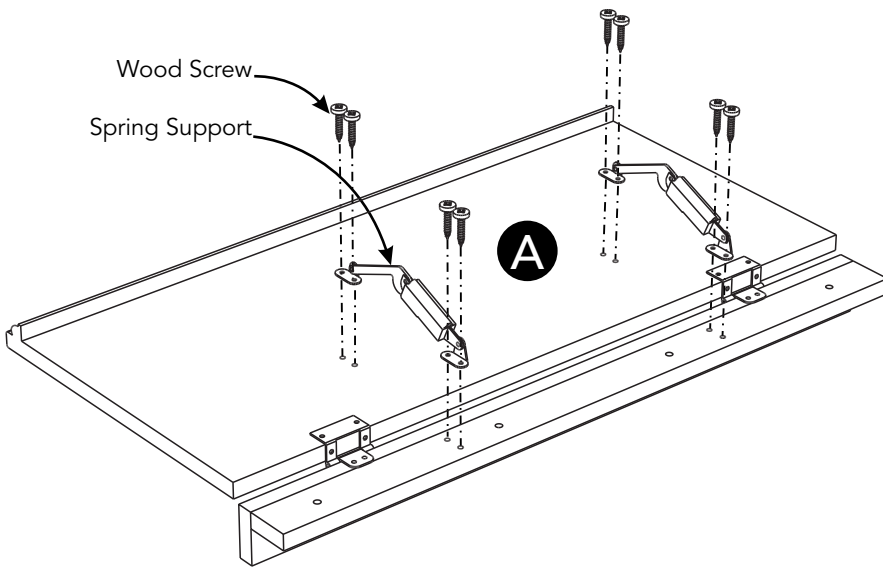
Figure 4



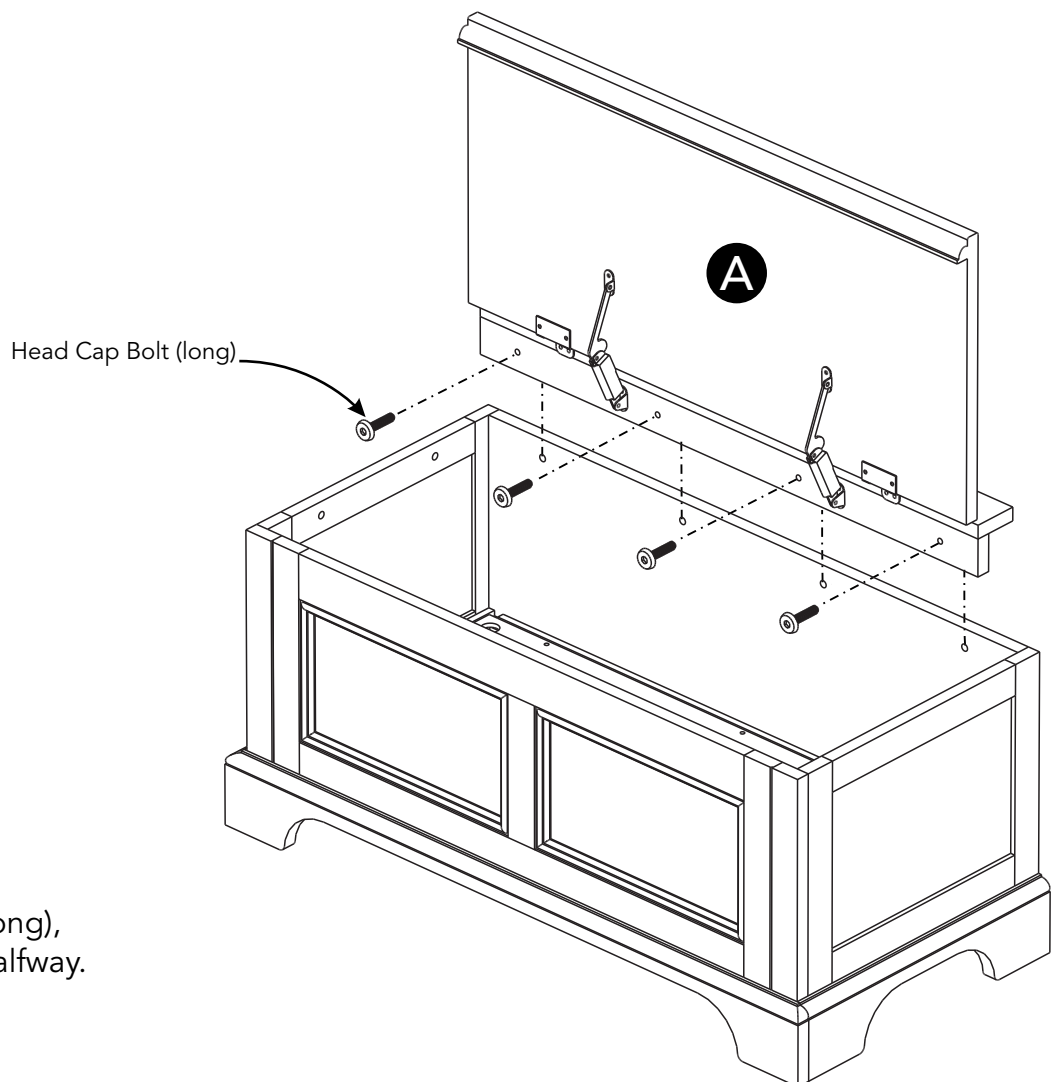
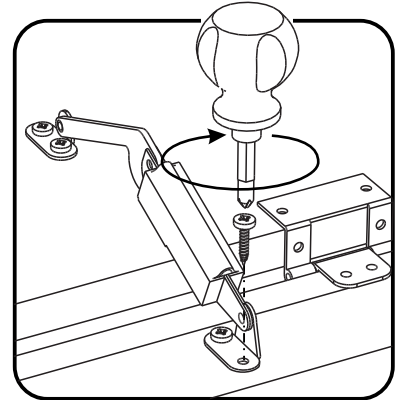
STEP 5

Insert Base (I) into unit, then attach Base (I) to unit with Wood Screws. (See Figure 4)

STEP 6



Attach Spring Supports to Seat (A) by inserting Wood Screws into pre-drilled holes, then tighten. (See Figure 5)



STEP 7

Attach Seat (A) to unit with Head Cap Bolts (long), tightening bolts only halfway.

STEP 8

Attach Hooks to Back Rail (U) with Wood Screws for Hook.
(See Figure 6)

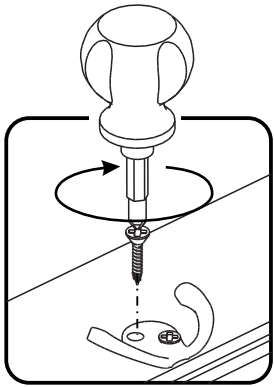
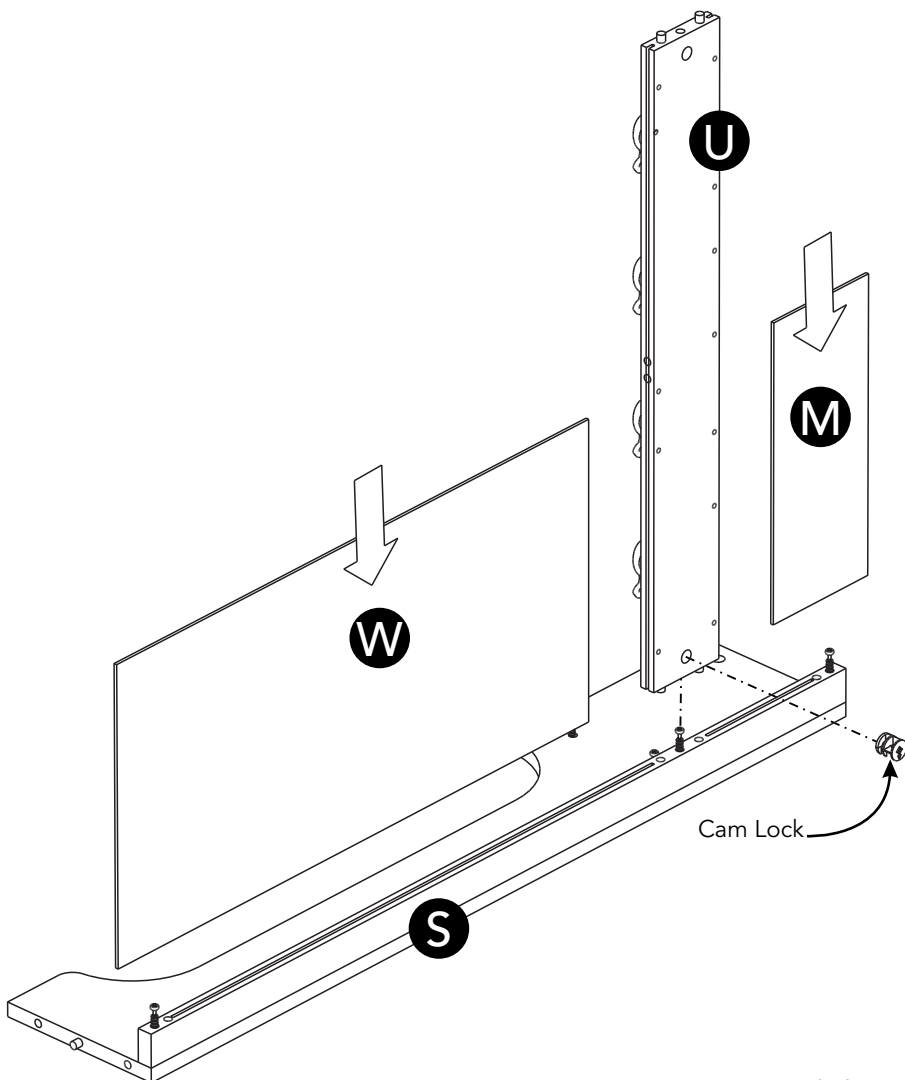
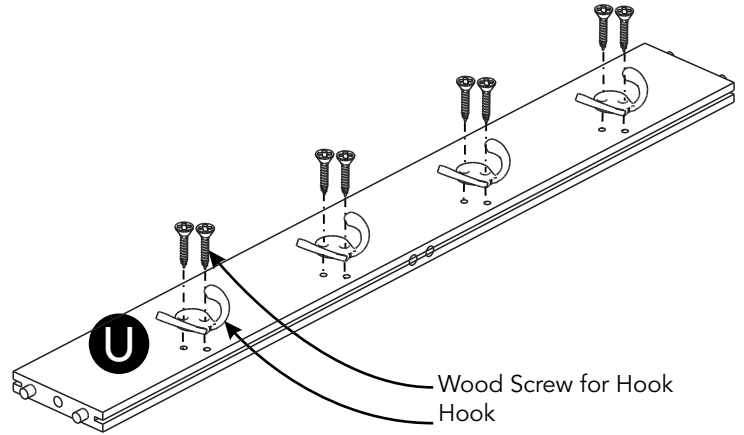


Figure 6



STEP 9

Attach Back Rail (U) to Side Panel (S) with Cam Lock.

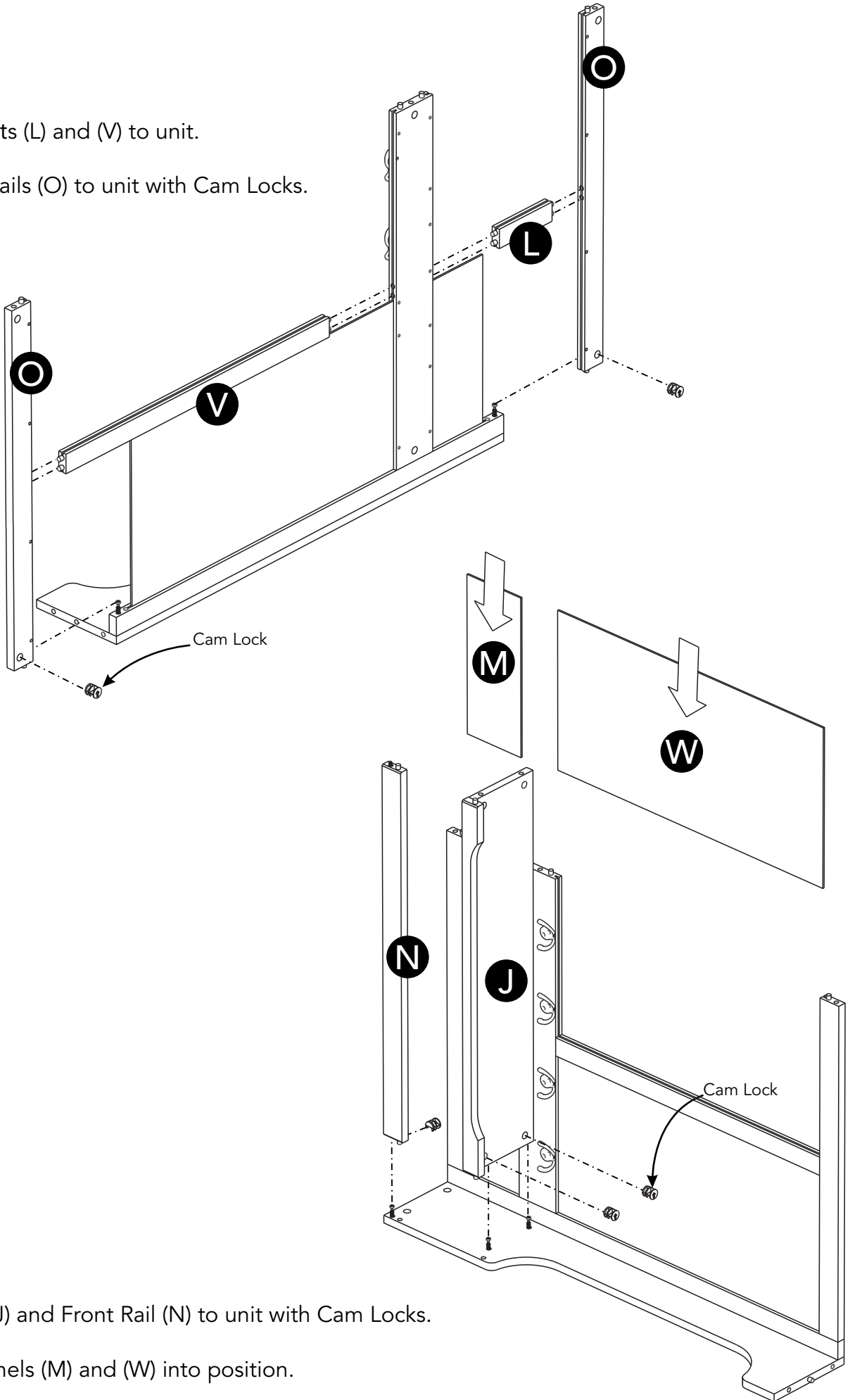
Slide Back Panels (M) and (W) into position.

Assembly Instructions 7/11

STEP 10

Attach Uprights (L) and (V) to unit.

Attach Back Rails (O) to unit with Cam Locks.



STEP 11

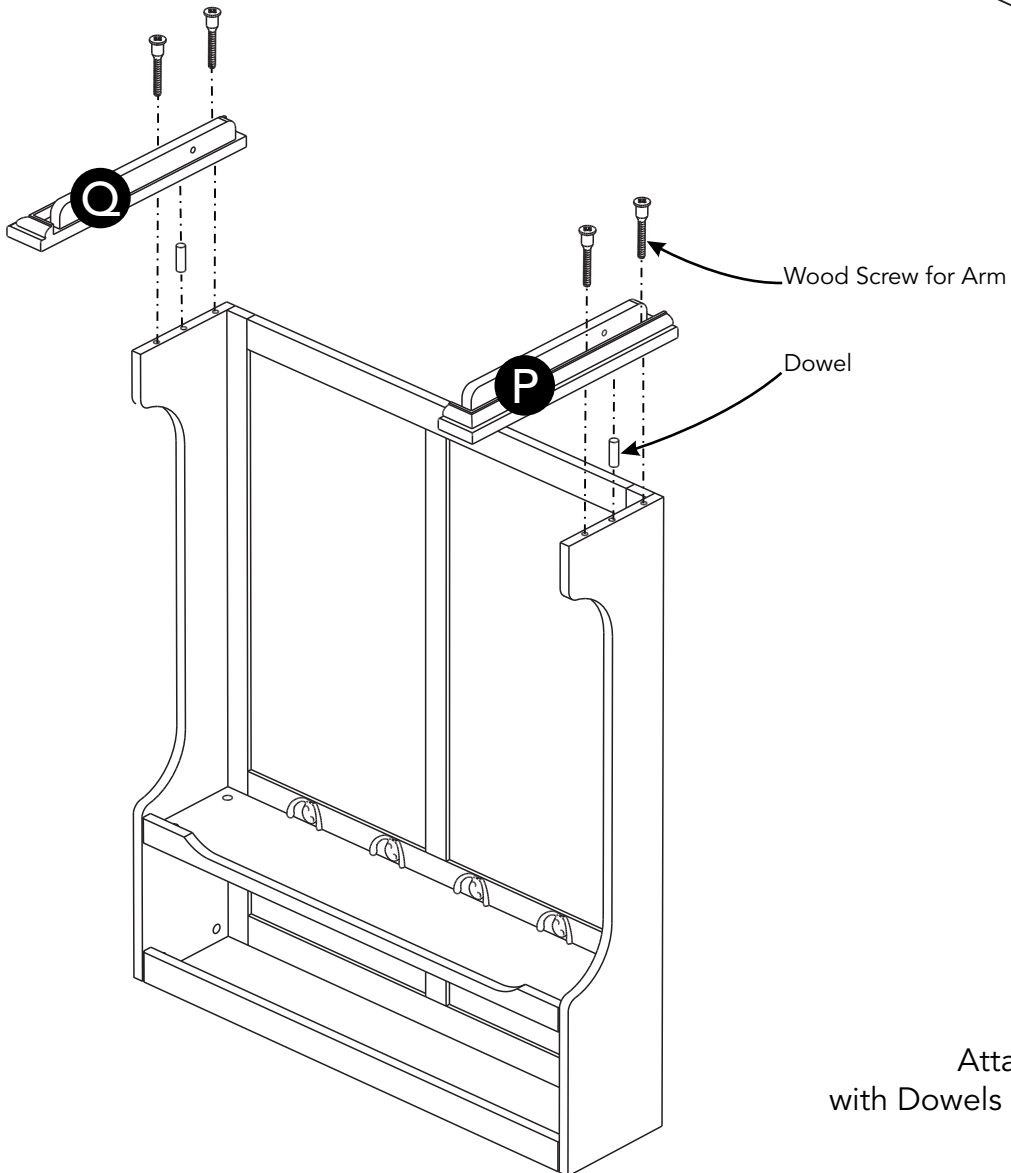
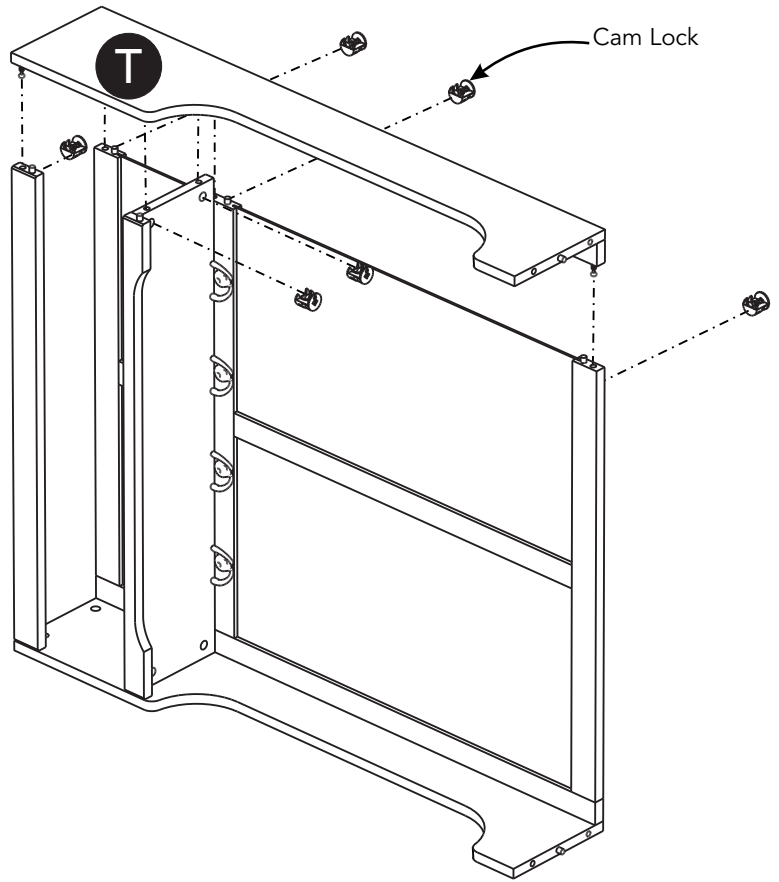
Attach Shelf (J) and Front Rail (N) to unit with Cam Locks.

Slide Back Panels (M) and (W) into position.

Assembly Instructions 8/11

STEP 12

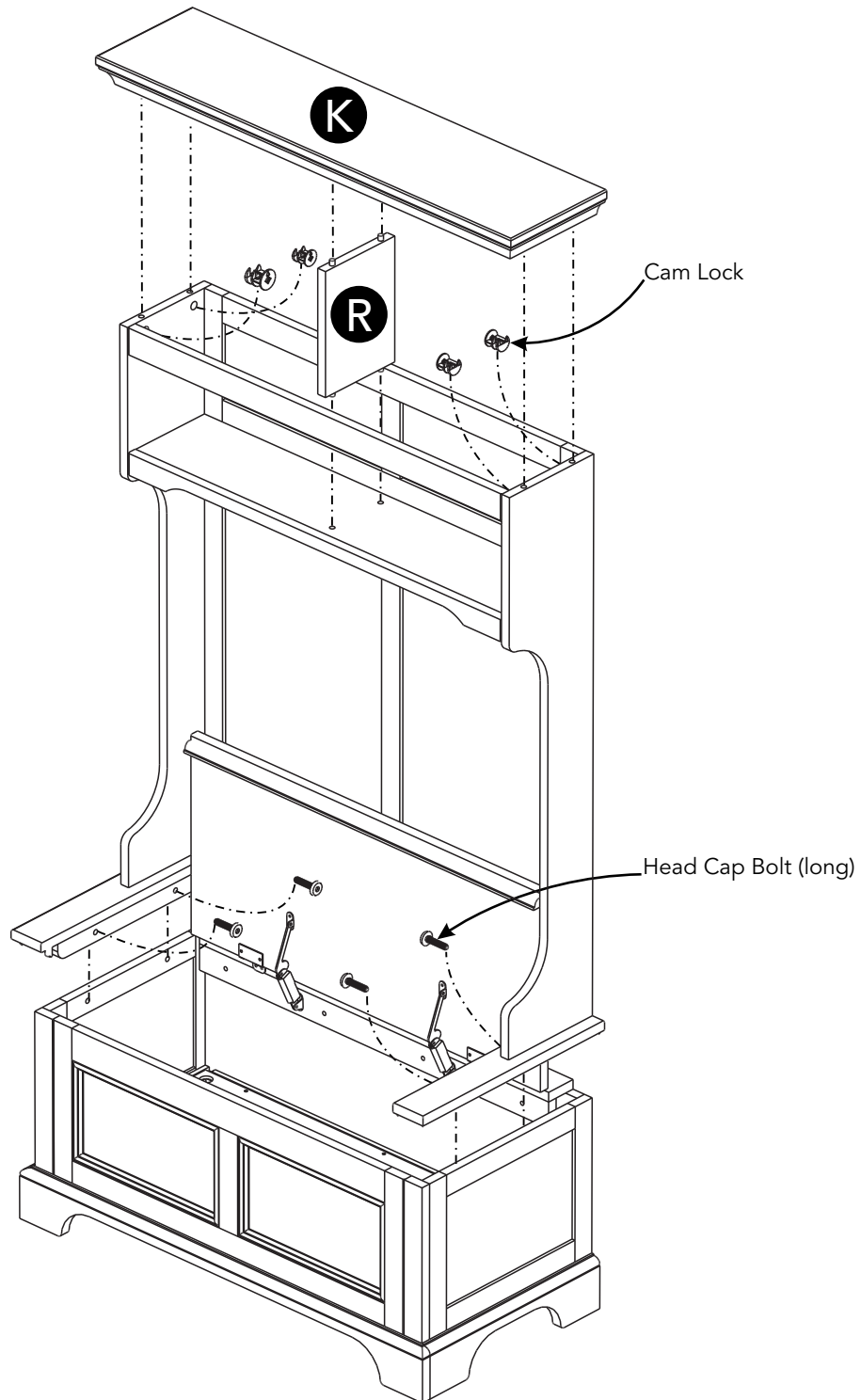
Attach Side Panel (T) to unit with Cam Locks.



STEP 13

Attach Arms (P) and (Q) to unit with Dowels and Wood Screws for Arm.

Assembly Instructions 9/11



STEP 14

Attach unit from Step 13 to unit from Step 7 with Head Cap Bolts (long).

Attach Divider (R) to unit.

Attach Top (K) to unit with Cam Locks.

STEP 15

Level unit by adjusting the adjustable levelers on bottom of unit.
(See Figure 7)

Insert Wood Screws into pre-drilled holes in unit, then tighten.

Note: Unit must be level before tightening these screws.

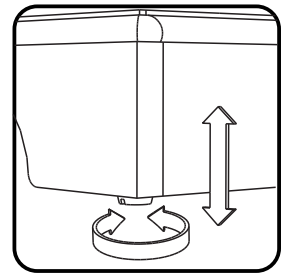
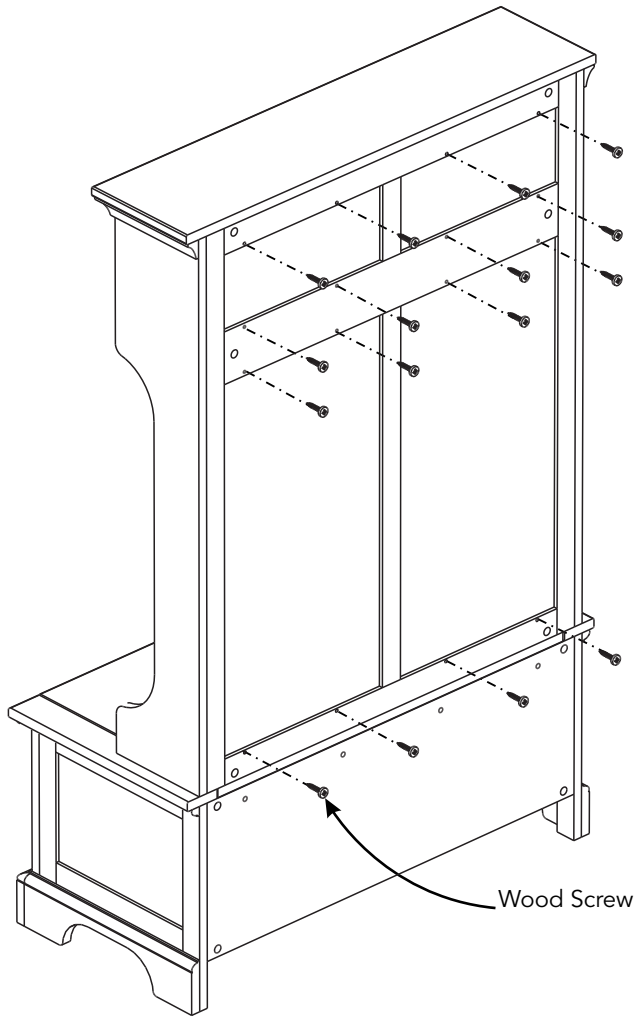


Figure 7

STEP 16

Align Seat (A) so that Seat (A) is spaced evenly between Arms (P) and (Q).

Without moving Seat (A) laterally, open Seat (A) and tighten bolts used in Step 7.
(See Figure 8)

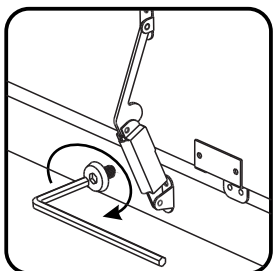
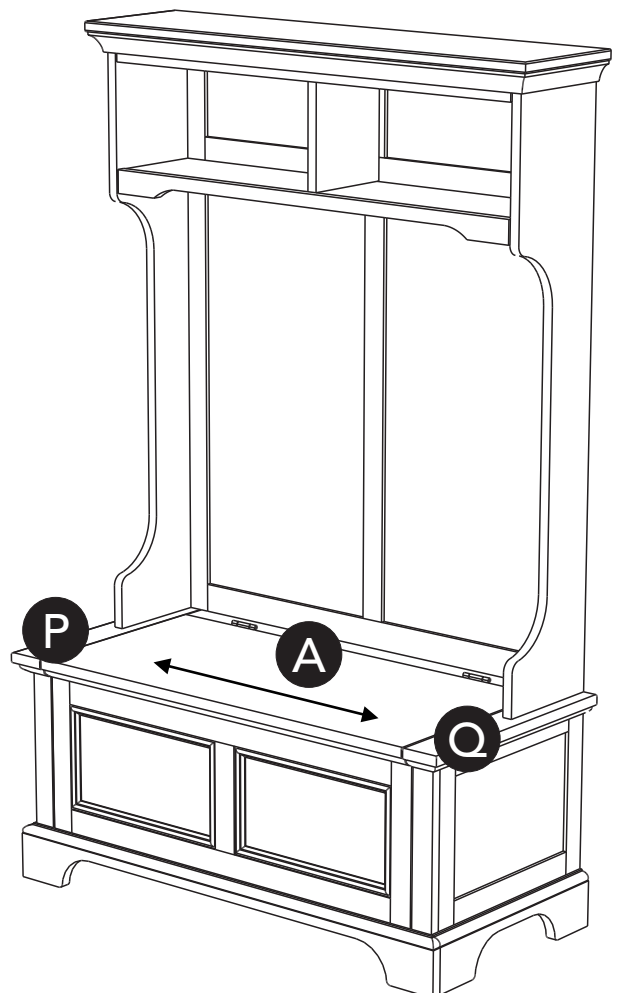


Figure 8



Assembly Instructions 11/11

IMPORTANT

- To help reduce the risk of the unit tipping over, the Tipover Restraint must be installed following these instructions exactly.

STEP 17

Place unit at desired location.

Drill a 3/8" hole in wall in-line with pre-drilled hole at top of unit.

Move unit.

Insert Anchor into the wall hole and attach Bracket with Wall Screw.

Attach Bracket at pre-drilled hole at top of unit with Wood Screw.

Move unit back into place.

Slide Tipover Restraint through Bracket on wall and Bracket on unit.
(See Figure 9)

Put tie end of Tipover Restraint into lock end of Tipover Restraint and pull until tight.

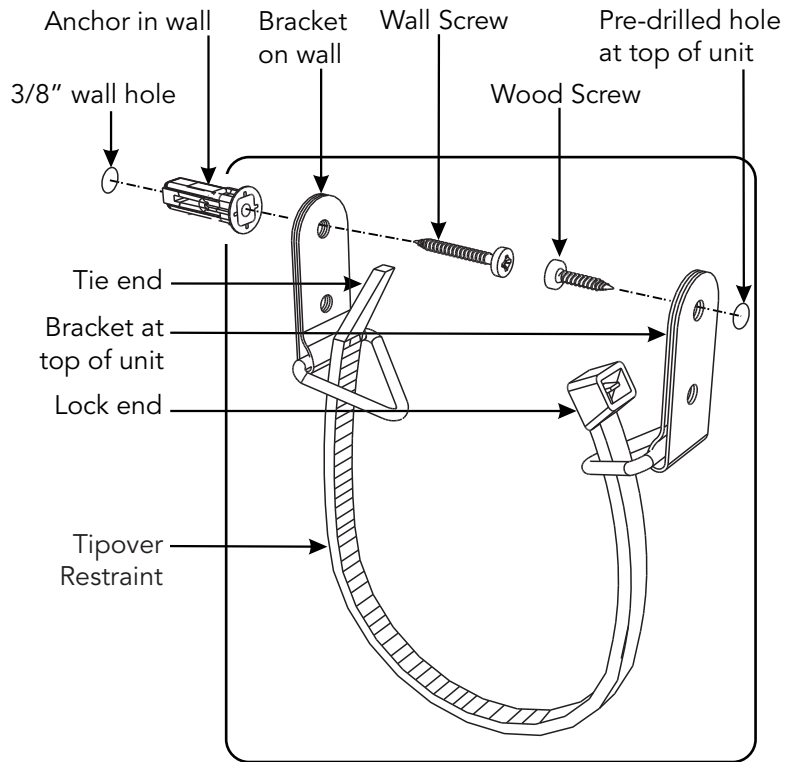
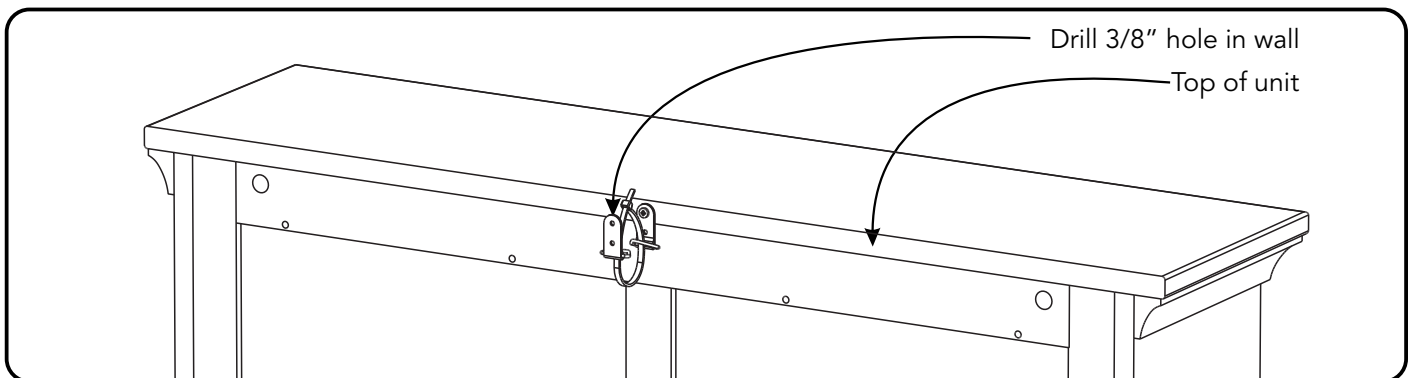
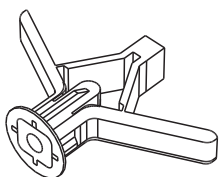


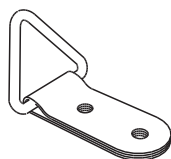
Figure 9



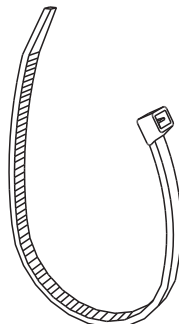
Hardware List



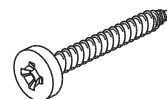
Anchor
1 pc. (+1 extra)



Bracket
2 pcs. (+1 extra)



Tipover Restraint
1 pc. (+1 extra)



M3.5x40
Wall Screw
1 pc. (+1 extra)



M3.5x16
Wood Screw
1 pc. (+1 extra)

CARE INSTRUCTIONS

NEVER

allow liquids to remain on furniture.
Absorption causes parts to warp
and split and finishes to delaminate.

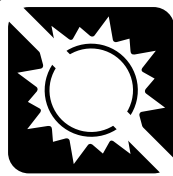
NEVER

use glass cleaners on
finished furniture. Ammonia
chemically attacks the finish.



Do not use power tools
above 8 volts to assemble.

**PREVENT
CRACKING**



Do not place
in direct sunlight.

**PREVENT
FADING**



Do not write
directly on surface.

**PREVENT
MARKING**



Do not place hot
objects on surface.

**PREVENT
FINISH DAMAGE**



Do not use rubber
based placemats.

**PREVENT
DISCOLORING**

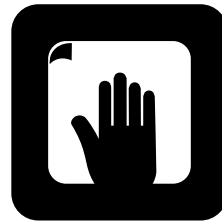


Do not use commercial
waxes and polishes.

**PREVENT
YELLOWING**

CLEAN

with a soft cloth moistened
in lukewarm soap and water.
Buff with a dry clean cloth.



homestyles will provide replacements free of charge for missing or damaged parts within 30 days of purchase. Digital images of the defective parts may be required. If the product was not purchased from an authorized retailer, **homestyles** is under no obligation to provide replacement parts. Parts are not available for fully assembled items nor are parts available for sale. Replacements for missing or damaged parts may be requested via contact info below.

homestyles Customer Service: www.homestylesfurniture.com,
servicedesk@homestylesfurniture.com, 888-680-7460