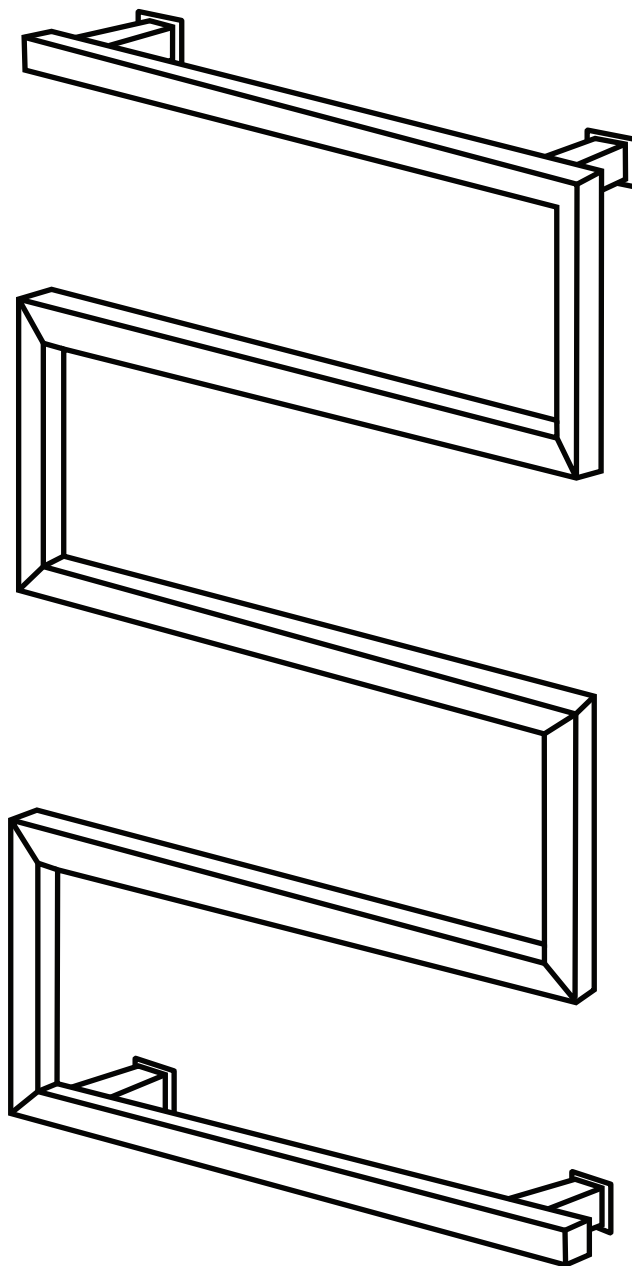


Voltaire Towel Warmer

INSTALLATION INSTRUCTIONS

Swiss Madison®
well made forever



@SwissMadison
#WellMadeForever





PRIOR TO INSTALLATION:

- Inspect the towel warmer to ensure no damages have occurred while in shipping.
- Observe all plumbing and building codes in accordance with your state and local requirements.
- All dimensions are nominal! Be sure to measure your grab bar prior to installation.
- The step-by-step guidelines in the installation instructions are a general reference. Should there be any discrepancies, Swiss Madison cannot be held liable. It is recommended to install all Swiss Madison products by hiring a licensed professional.
- Read installation and maintenance instructions thoroughly before installing. Be sure to use proper tools and always wear proper personal safety accessories for your protection.

If you have any questions or concerns please contact us:

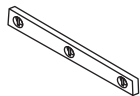
1-434-623-4766

info@swissmadison.com

SUGGESTED TOOLS & MATERIALS:



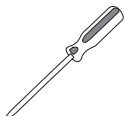
Safety Glasses



Level



Drill

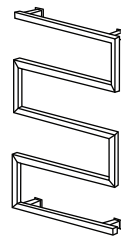


Screwdriver

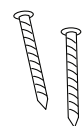


Hammer

INCLUDED PARTS:

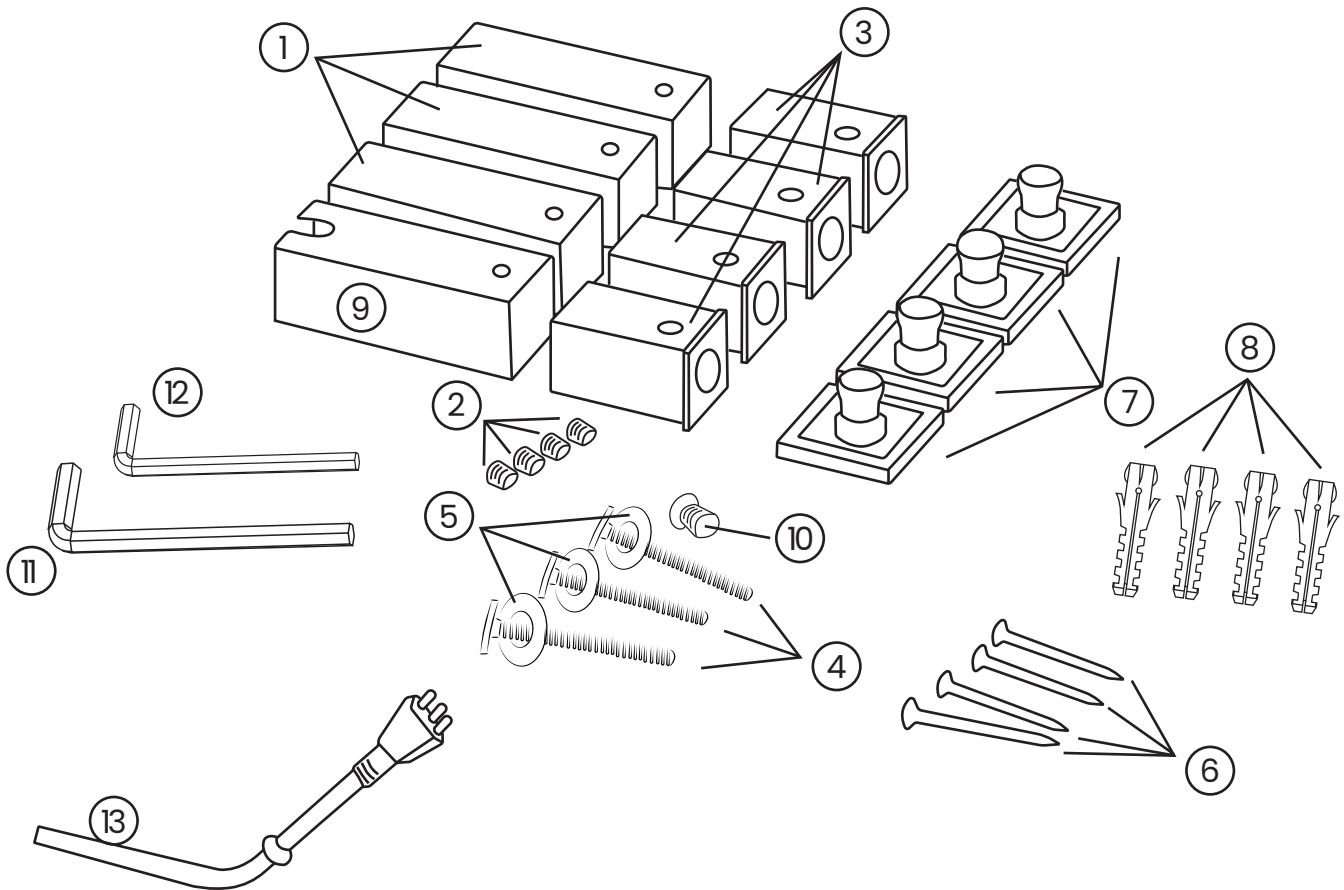
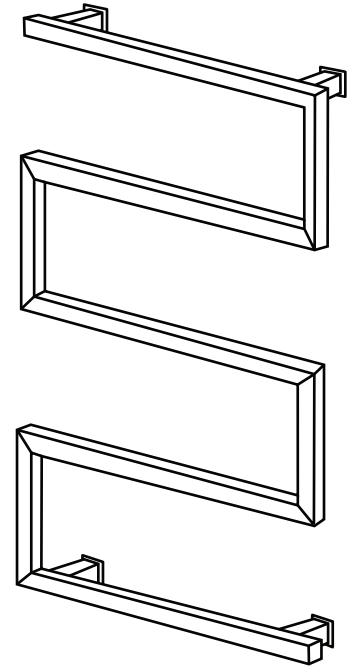


Towel warmer



Hardware

1. Leg mounts
2. Set screws
3. Leg inserts
4. Long leg bolt & washer
5. Spare washers
6. Wall screws
7. Wall flanges
8. Drywall anchors
9. Power leg mount
10. Short leg bolt
11. Medium hex key
12. Small hex key
13. Leg grommet

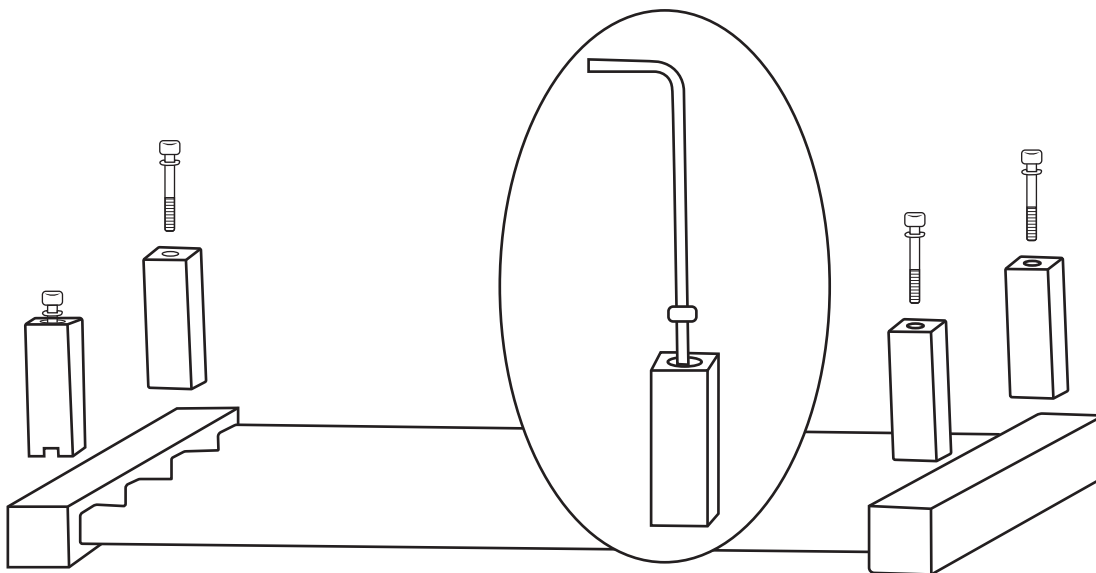
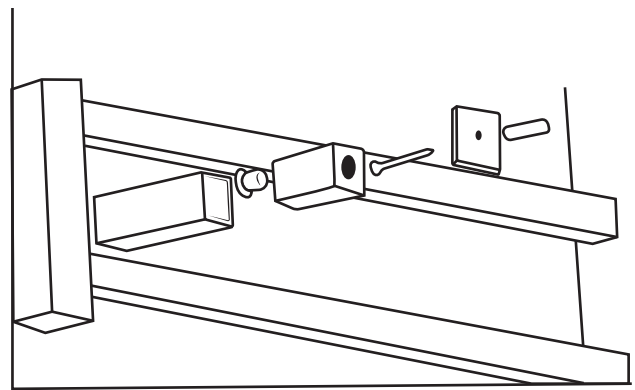
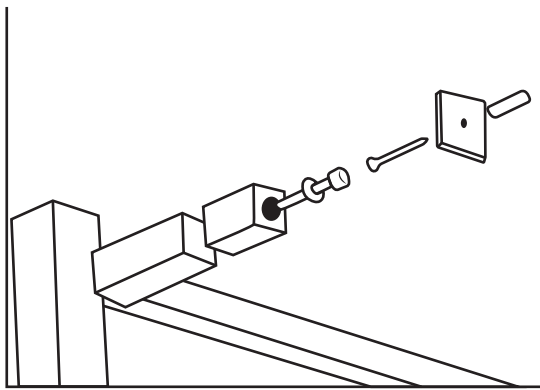


1. Prepare the frame and legs

a.) Attach 3 leg mounts by inserting the long leg bolts and their washers into the leg inserts on the side of the leg and securing to the armer using the large hex key.

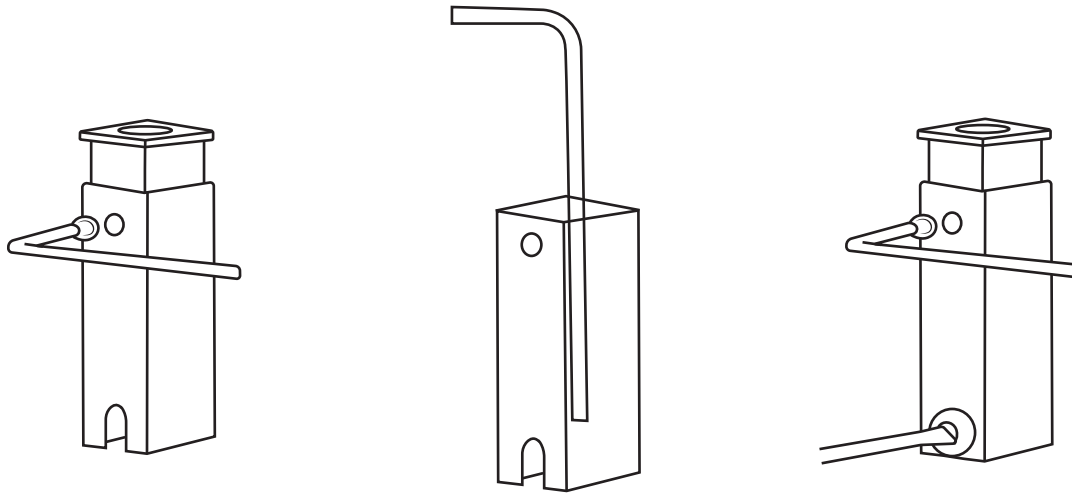
b.) Make sure the locking screw faces towards the bottom of the warmer.

Add additional washers if the leg is not tight against the unit.



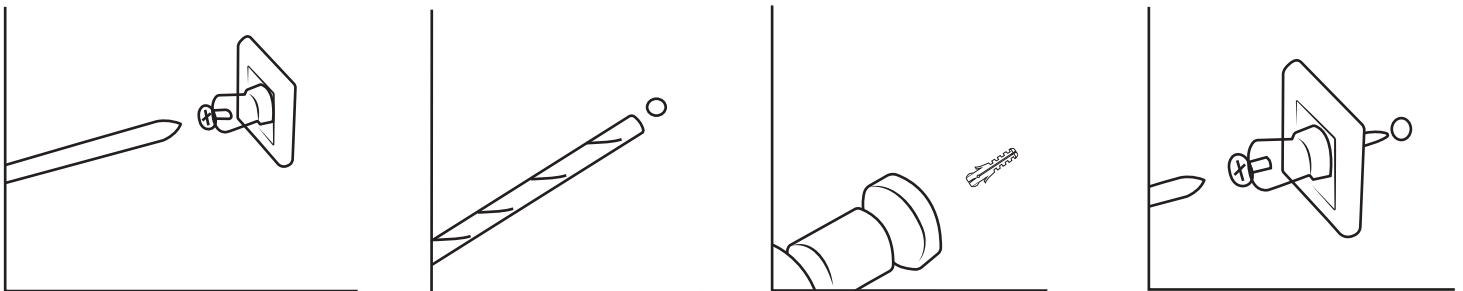
2. Attach Power Leg

- a.) Remove the leg insert (3) from the power leg mount (9) by unscrewing the set screw using the medium hex key (11) and push out the insert from the other end.
- b.) Slide the leg grommet (13) all the way up the cord and align with the slot in the power leg mount.
- c.) Reinstall the leg insert into the power leg mount and secure using the set screw (2).



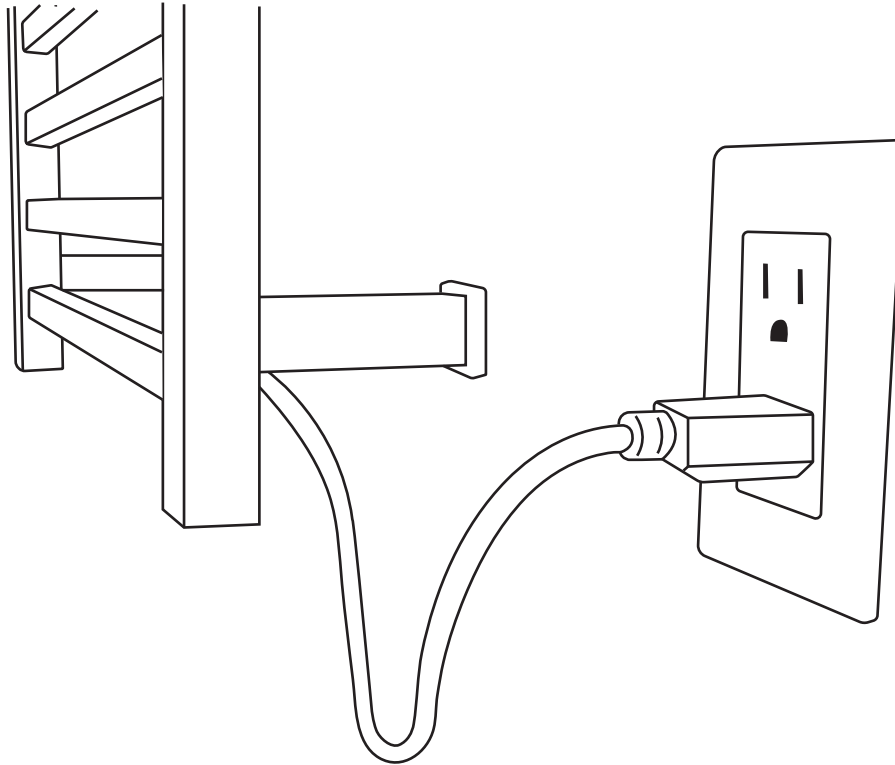
3. Mount warmer (plug-in option)

- a.) If aligned with a wall stud, there is no need to drill a hole. Simply place a wall screw (6) into a wall flange (7) and screw directly through the drywall and into the stud.
- b.) If not aligned with a stud, drill a $\frac{7}{32}$ " hole through the drywall. Insert a drywall anchor (8) and tap it in with a hammer until flush with the wall. Now insert the wall screw (6) until the wall flange (7) is snug against the wall.



3. Mount warmer onto flanges

- a.) With wall flanges (7) now installed on the wall, mount the unit onto the flanges until the legs are wall seated into the flanges. The leg set screws (2) under the legs may need to be loosened
- b.) While applying pressure on the unit to keep the legs in the flanges, tighten each of the set screws using the medium hex key (11) until the legs are secure (don't over tighten).
- c.) Plug the warmer into a properly grounded 120V wall outlet and your warmer is ready for use.



ONE YEAR LIMITED WARRANTY

Swiss Madison® products are made with quality materials and excellent craftsmanship to provide our customers with beautiful, durable, long-lasting products. Should there be any defects in materials or craftsmanship under regular use that are discovered within the first year of installation, Swiss Madison® will provide replacement parts at no charge, or at its discretion, replace any product or part of the product that is deemed defective, under normal installation, use, service or maintenance. This warranty applies only to the original purchaser. Proof of purchase will be required in the instance of a claim.

Swiss Madison® recommends all installations of Swiss Madison® products to be conducted by a licensed, professional plumber or contractor. Swiss Madison® will not be held responsible for any damage or product failure due to improper installation, misuse, or failure to utilize a licensed professional for installation. Swiss Madison® is not responsible for any installation or removal costs.

This One Year Limited Warranty Will Be Voided If:


- The installation recommendations were not followed by the installer
- The product has been moved from its initial place of installation
- The product has in any way been modified from its packaged state
- The product has been subjected to improper maintenance, abuse, misuse, excessive use of chemicals, accidents, or other damages, etc.

Swiss Madison® makes no implication that its products comply with any local building or plumbing codes. It is the consumer's responsibility and obligation to determine local code compliance prior to and during installation. This warranty extends only to the original purchaser and first consumer.

Swiss Madison® is not responsible for any special, incidental or consequential damages associated with the installation, replacement, return or use of the original purchaser's product. This includes, but is not limited to: freight costs, labor, travel time, lost profit, home damages and other contingent liabilities and costs (including, without limitation, costs associated with 'professionals' or 'experts', investigations, audits, analyses, attorneys and any other professional/hired services).

The Swiss Madison® warranty is a comprehensive and explicit limit of liability. All items not disclosed within the warranty are not addressable within the responsibility of Swiss Madison®. Certain states have variances regarding implied warranties; in those situations, we remain fully compliant.

**If you have any questions or concerns, please contact us directly at
1-434-MADISON (623-4766)**

 **WARNING:** Contents of your order may contain sharp and possibly other harmful pieces and may cause hazard to children and adults. Swiss Madison® is not responsible in any way for personal damages.