



To prevent death, injury or damage to property, this product must be installed in accordance to National Electrical Code (NFPA70) in the US or Canadian Electrical Code (CSA 22.1) in Canada.

Risk of fire or electric shock. The electrical rating of these products are 120-277VAC, the installer must determine whether they have 120-277VAC at the luminaire before installation.

Risk of fire or electric shock. LED Commercial High Bay installation requires knowledge of luminaires electrical systems. If not qualified, do not attempt installation. Contact a qualified electrician.

To prevent wiring damage or abrasion, do not expose wiring to edges of sheet metal or other sharp objects.

Disconnect power before installing the product or servicing it.

Use listed water proof strain relief bushing when connecting the supply cord to the junction box

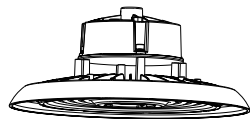
Wait until fixture has cooled down before installing or servicing the fixture.

MIN. 75°C SUPPLY CONDUCTORS

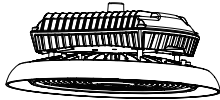
What's In The Box



100-150W



200-240W



300-400W

One (1) HBC4 LED High Bay



100-240W

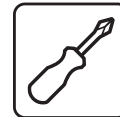


300-400W

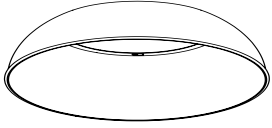
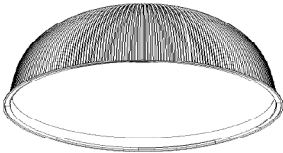
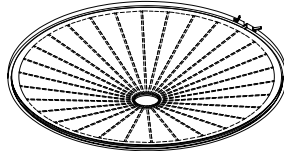
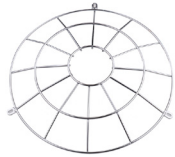
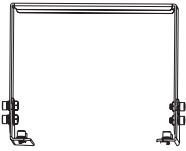
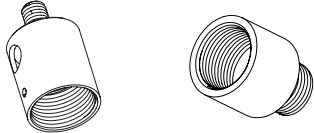
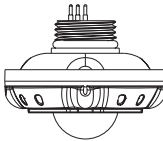
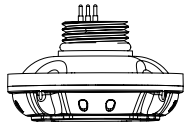
One (1) Mounting Hook
with cross bolt

Tools Needed

This HBC4 LED High Bay requires very few tools for installation. A screwdriver and a pair of wire cutters will help to connect wiring, install the reflector and fasten the mounting hook.



Optional Accessories (Sold Separately)

 <p>Aluminum Reflector</p>	 <p>Polycarbonate Reflector</p>	 <p>Polycarbonate Shield with Clamp Ring</p>	 <p>Wire Guard</p>
 <p>Yoke</p>	 <p>100-240W M10 to 3/4" 300-400W 1/2"NPT to 3/4"</p> <p>Pendant Adapters</p>	 <p>PIR Motion Sensor</p>	 <p>Microwave Motion Sensor</p>

Installation

HBC4 LED HIGH BAY INSTALLATION INSTRUCTIONS

Models: 100W, 150W, 200W, 240W, 300W, 400W

1 Preparation

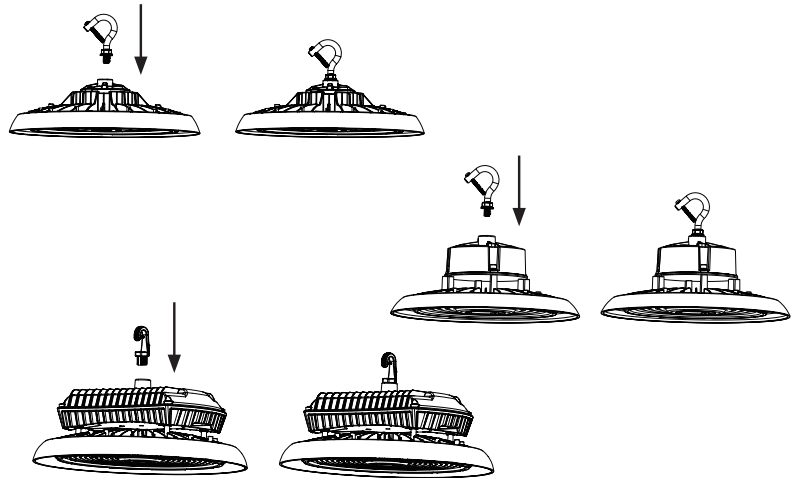
- Shut off power to desired circuit before any work. Identify and prepare location for installation.
- Carefully unpack the fixture from its packaging and inspect product for defects due to shipping.

2 Fixture Mounting

Note: Fixture can be mounted with chain, cable, or pendant (with Adapter). Ensure fixture is within 6 feet of wire distance from the junction box for wiring.

Hook Mount

- Insert hook into fixture and fasten with security screw.
- Locate stable structure to hang fixture.
- Securely attach mounting system to structure.
- Retract safety bolt on hook and attach mounting system to fixture.
- Engage safety bolt.

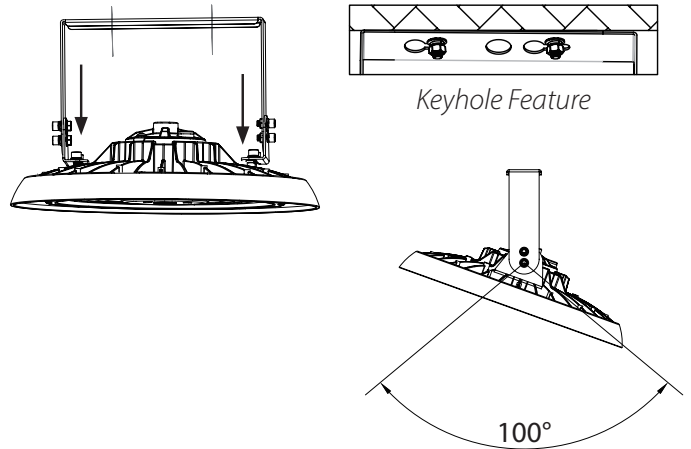


Hook mount

Yoke Mount

Note: 300W and 400W yoke mount are factory install option only.

- Attach yoke to fixture with provided hardware.
- Locate stable structure to hang fixture.
- Mark mounting holes from yoke and install properly rated installation hardware.
- Insert installation hardware through keyholes of yoke and secure.
- Reposition yoke screws to adjust fixture 50° in either direction.



Keyhole Feature

Yoke mount

Fixture Wiring

Note: Fixture Driver provides 0-10V dimming and 12VDC output for aftermarket controls.

- Connect wiring per the wiring diagram and standard wiring practices.
- If 0-10V wiring is not used, make sure wires are capped.

		* Cap off if not used		
From HBC Fixture	L (Line) - Black	●	Line	Supply Wiring
	N (Neutral) - White	●	Neutral	
	E (Earth) - Green	●	Ground	
	Purple	●*	0-10V (+)	
	Pink	●*	0-10V (-)	
	Black and White (12VDC output)	●*	Aftermarket Controls	

Optional Accessory Installation

3 PIR/Microwave Sensor Installation

Note: If sensor is to be used, 0-10V wiring must be disconnected to avoid issues.

- Remove protective plastic cover from sensor pins
- Screw sensor into fixture.
- *Note: If setting need to be changed, the remote control must be used.*

4 Reflector Installation

- Align reflector with fixture mounting holes
- Tighten screws

5 Glare Shield Installation

Note: For Polycarbonate Reflector Only

- Align glare shield with end of reflector
- Fit gasket & clamp ring around reflector and shield
- Secure clamp ring with spring

6 Wire Guard Installation

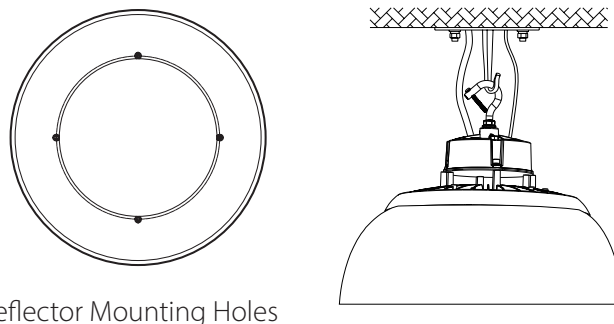
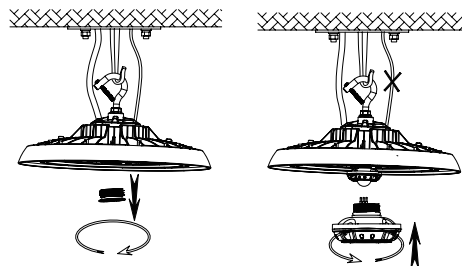
- Align wire guard against face of fixture.
- Fasten wire guard to fixture with 3 screws.

7 Pendant Adapter

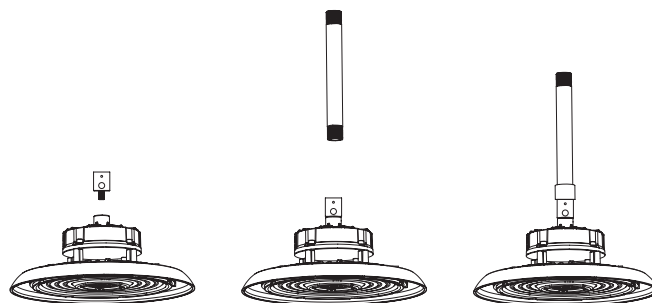
- Install Pendant Adapter on top of fixture in place of hook.
- Fasten with provided bolt.
- Pendant sized for 3/4" conduit acceptance.

HBC4 LED HIGH BAY INSTALLATION INSTRUCTIONS

Models: 100W, 150W, 200W, 240W, 300W, 400W



Reflector Mounting Holes



This device complies with part 15 of the FCC Rules. Operation is subject to the following two conditions: (1) This device may not cause harmful interference, and (2) this device must accept any interference received, including interference that may cause undesired operation.

NOTE: This equipment has been tested and found to comply with the limits for a Class A digital device, pursuant to part 15 of the FCC Rules. These limits are designed to provide reasonable protection against harmful interference when the equipment is operated in a commercial environment. This equipment generates, uses, and can radiate radio frequency energy and, if not installed and used in accordance with the instruction manual, may cause harmful interference to radio communications. Operation of this equipment in a residential area is likely to cause harmful interference in which case the user will be required to correct the interference at his own expense.

NICOR LED Express Limited Warranty

Subject to the exclusions below, each NICOR LED product, including the LED electronics and components of a property installed NICOR LED product, will be free from defect in materials and workmanship for a period of five (5) years from the original date of purchase. The product shall be considered defective only if 10% or more of the product's LED components fail. NICOR LED product warranty covers the following performance criteria: LED Light Output will be maintained above 70% of initial output; LED color temperature will not shift more than 200K in CCT; LED driver will operate within NICOR specifications; and the fixture finish, excluding natural aluminum or brass products, will not exhibit cracking, peeling, excessive fading, or corrosion during the warranty period. Exceptions apply as defined in NICOR's product specification sheets, which are incorporated by reference herein. This limited warranty is provided to you, the purchaser of the product identified on Seller's invoice, as your exclusive remedy and applies only to NICOR products that have been purchased from an authorized NICOR Distributor; the product was new and in an unopened NICOR package at the time of installation; and the NICOR product was installed by a licensed electrician or under the supervision of a licensed electrician and used by consumers in the United States or Canada when accompanied with this warranty. This warranty extends only to the first consumer purchaser and is not transferable. A consumer wishing to invoke the terms of this limited warranty must first obtain a RGA number within 30 days of discovery of the defect, and return the product to NICOR for inspection. Once verified to be covered by this limited warranty, NICOR will, at its sole discretion, repair, replace, or refund the purchase price of any product that does not conform to this limited warranty. If NICOR, at its sole discretion, determines that the product should be repaired or replaced, this warranty is limited to the reasonable, customary, and necessary costs and expenses associated with the repair/replacement. This warranty requires that all repair/replacement estimates and costs, including but not limited to equipment rental (if any), and any other cost or expense to be incurred in the repair/replacement of the product, be approved in advance and in writing by NICOR.

FAILURE TO OBTAIN NICOR'S ADVANCE WRITTEN APPROVAL OF ALL REPAIR/REPLACEMENT COSTS AND EXPENSES IN WRITING SHALL VOID THIS LIMITED WARRANTY. THIS LIMITED WARRANTY DOES NOT COVER THE FOLLOWING:

- Defects or damages resulting from improper installation, operation, storage, misuse or abuse, accident, or neglect;
- Defects or damages resulting from improper service, testing, adjustment, installation, maintenance, alteration, connection to out-of-specification electrical service, corrosive or damp environments, or connection to incompatible equipment or devices (e.g., connecting non-dimmable lighting products to dimmers);
- Damage which occurs in transit;
- Power surges or overheating due to external conditions
- Acts of nature including but not limited to lightning strikes

ANY IMPLIED WARRANTIES, INCLUDING WITHOUT LIMITATION, THE IMPLIED WARRANTIES OF MERCHANTABILITY AND FITNESS FOR A PARTICULAR PURPOSE SHALL BE LIMITED TO THE DURATION OF THIS LIMITED WARRANTY. OTHERWISE THE REPAIR, REPLACEMENT, OR REFUND AS PROVIDED UNDER THIS EXPRESS LIMITED WARRANTY IS THE EXCLUSIVE REMEDY OF THE CONSUMER, AND IS PROVIDED IN LIEU OF ALL OTHER WARRANTIES, EXPRESS OR IMPLIED. IN NO EVENT SHALL NICOR BE LIABLE, WHETHER IN CONTRACT OR IN TORT (INCLUDING NEGLIGENCE) FOR DAMAGES IN EXCESS OF THE PURCHASE PRICE OF THE PRODUCT, OR FOR ANY INDIRECT, INCIDENTAL, SPECIAL OR CONSEQUENTIAL DAMAGES OF ANY KIND, OR LOSS OF REVENUE OR PROFITS, LOSS OF BUSINESS OR OTHER FINANCIAL LOSS ARISING OUT OF OR IN CONNECTION WITH THE ABILITY OR INABILITY TO USE THE PRODUCT TO THE FULL EXTENT THESE DAMAGES MAY BE DISCLAIMED BY LAW.