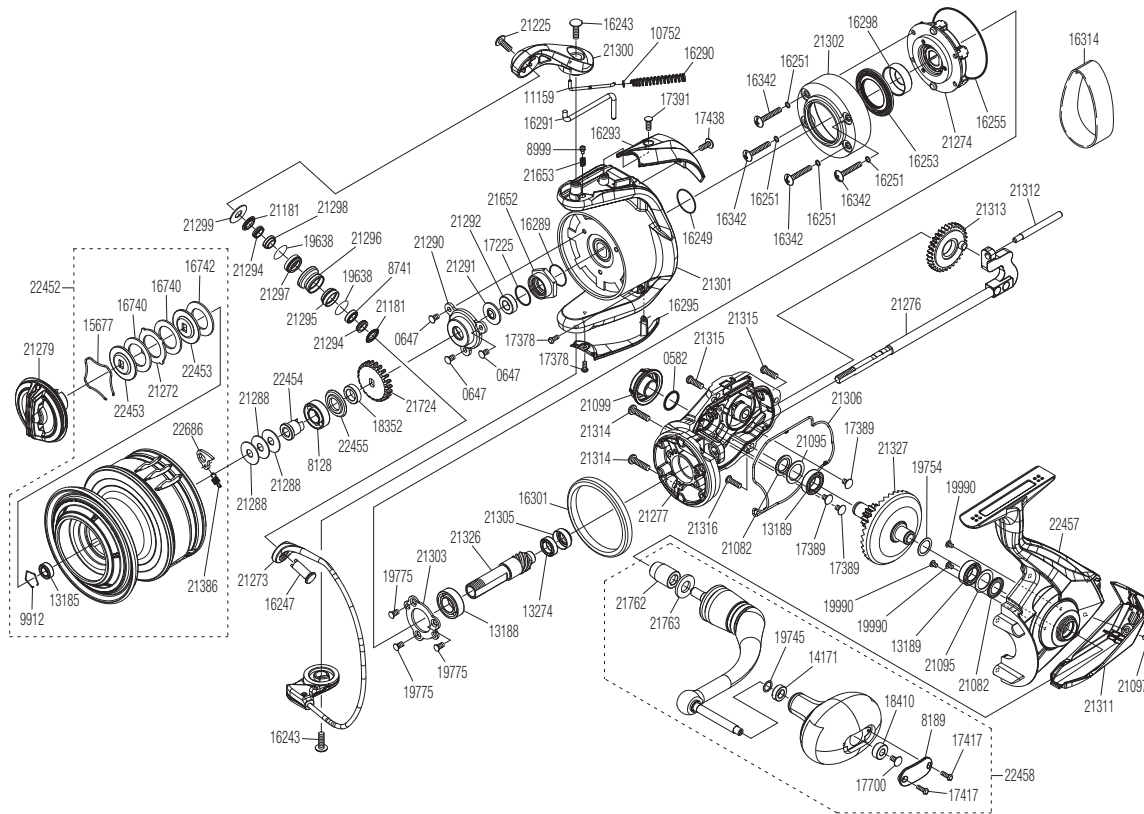


SHIMANO

SARAGOSA BFC

SRBFC-SW14000XG



Please note that the number of adjusting washers may not always be the same as shown in the exploded views.

(51SF651B11X)

Please note that your actions take full responsibility when you take it apart.

#	Part No.	Description	#	Part No.	Description	#	Part No.	Description
0582	108WH	O Ring	17391	10LFK	Screw	21301	10E8K	Rotor
0647	10QG5	Screw	17417	10L1T	Screw	21302	10E3J	Roller Clutch Water Proof Cover
8128	10KXC	Ball Bearing	17438	10LFF	Screw	21303	10E49	Bearing Retainer
8189	108SM	Handle Knob ID Plate	17700	10LFA	Screw	21305	10E3P	Bushing
8741	10K67	Ball Bearing	18352	10SV6	Bushing	21306	10E3M	Body Seal
8999	10HEA	Click Pin	18410	10EU0	Bushing A	21311	1002R	Rear Protector
9912	10GEW	Bearing Retainer	19638	1015S	O Ring	21312	10E3V	Oscillating Guide
10752	10TYE	Bail Spring Guide A Collar	19745	104FH	Washer	21313	10E46	Oscillating Gear
11159	105LV	Bail Spring Guide A	19754	10DKJ	Washer	21314	10L9U	Screw
13185	105BP	Ball Bearing	19775	100WY	Screw	21315	10TNB	Screw
13188	10BGD	Ball Bearing	19990	1055H	Screw	21316	10E47	Screw
13189	104PT	Ball Bearing	21082	10TGJ	Bearing Water Proof	21326	10E4X	Pinion Gear
13274	104PP	Ball Bearing	21095	10BGF	Washer	21327	10E50	Drive Gear Assembly
14171	104UJ	Bushing B	21097	10LHR	Screw	21386	10PH2	Drag Click Spring
15677	1088M	Retainer	21099	101HW	Handle Screw Cap	21652	100KF	Rotor Nut
16243	103UN	Screw	21181	100X7	Line Roller Seal	21653	10HEL	Click Spring
16247	10Q3H	Line Roller Support	21225	1008N	Screw	21724	10SGV	Spool Support
16249	108WV	O Ring	21272	10RZV	Eared Washer	21762	10E3T	Handle Shaft Cover
16251	108WW	O Ring	21273	10TD1	Bail Assembly	21763	104NW	Washer
16253	10MH2	Roller Clutch Water Proof	21274	10TCX	Roller Clutch Assembly	22452	10TRY	Spool Assembly
16255	108WX	O Ring	21276	100LS	Main Shaft Assembly	22453	10TRZ	Key Washer
16289	108WT	O Ring	21277	10TDD	Body Assembly	22454	10TS0	Spool Bearing Bushing
16290	105LL	Bail Spring	21279	10E4B	Drag Knob Assembly	22455	10TNG	Drag Knob Seal
16291	106KN	Bail Trip Lever	21288	10BXX	Spool Washer	22457	10TS2	Side Cover Assembly
16293	10880	Bail Spring Cover	21290	10E3R	Nut Lock Plate	22458	10TS3	Handle Assembly
16295	10MND	Bail Hold Support Guard	21291	10E3Q	Bearing Water Proof	22686	13YDN	Drag Click
16298	10K7S	Rotor Ring	21292	10E40	Spacer			
16301	104G8	Friction Ring	21294	10E3W	Line Roller Support Collar			
16342	10A6S	Screw	21295	10E4C	Bushing			
16740	10345	Drag Washer	21296	10E43	Line Roller			
16742	10C1A	Drag Washer B	21297	10E4D	Bushing B			
17225	1090A	O Ring	21298	10E4E	Collar			
17378	10L1R	Screw	21299	10E3S	Line Roller Plate			
17389	10LHN	Screw	21300	10E8J	Bail Arm	16314	10P3X	Line Band (accessory)