



LED12XT/6WYCA

To order contact FEIT ELECTRIC COMPANY
Http: www.feit.com
Email: info@feit.com

IMPORTANT SAFETY INSTRUCTIONS AND INSTALLATION GUIDE

READ BEFORE INSTALLATION SAVE THESE INSTRUCTIONS

Please read and understand this entire manual before attempting to assemble, operate or install this product. This product must be installed in accordance with any applicable installation code(s) by a qualified electrician or person familiar with the construction and operation of the product and the hazards involved.

- WARNING: RISK OF SHOCK.** House electric current can cause painful shock or serious injury unless handled properly. For your safety, always remember to:
 - Ground the fixture to avoid potential electric shocks and to ensure reliable starting.
 - Double-check all connections to be sure they are tight and correct.
 - Wear rubber soled shoes and work on a sturdy ladder.
- This fixture is designed for use in a circuit protected by a fuse or circuit breaker. It is also designed to be installed in accordance with local electrical codes. If you are unsure about your wiring, consult a qualified electrician or a local electrical inspector and check your local electrical code.
- WARNING: RISK OF CUTS.** Some metal parts in the fixture may have sharp edges. To prevent cuts and scrapes, wear gloves when handling the parts.
- Account for small parts and destroy packing material, as these may be hazardous to children.
- Risk of Fire - MINIMUM 90°C SUPPLY CONDUCTORS. If uncertain, consult an electrician.
- This device is not intended for use with emergency exits.
- Risk of pinching - Do not place hands under springs during removal of the **downlight**.

Product Specifications

- 120VAC, 60Hz, 15 Watts
- Dimmable
- Suitable for Wet Locations

NOTICE:

- All electrical connections must be in accordance with local and National Electrical Code (N.E.C) standards. If you are unfamiliar with proper electrical wiring connections, obtain the services of a qualified electrician.
- Remove the fixture and the mounting package from the box to make sure that no parts are missing by referencing the illustrations on the installation instructions.



CAUTION: Turn off the main power at the circuit breaker before installing the fixture in order to prevent possible shock.

- **VAPOR BARRIER MUST BE SUITABLE FOR 90 °C.**
- **FOR USE IN NON-FIRE-RATED INSTALLATIONS ONLY.**

Supplier's Declaration of Conformity:
47 CFR § 2.1077 Compliance Information
Responsible Party:
Feit Electric Company
4901 Gregg Road,
Pico Rivera, CA 90660, USA
Unique Identifier:
FEIT ITEM # LEDR12XT/6WYCA

This device complies with part 15 of the FCC Rules. Operation is subject to the following two conditions: (1) This device may not cause harmful interference, and (2) this device must accept any interference received, including interference that may cause undesired operation. Note: This equipment has been tested and found to comply with the limits for a Class B digital device, pursuant to part 15 of the FCC Rules. These limits are designed to provide reasonable protection against harmful interference in a residential installation. This equipment generates, uses and can radiate radio frequency energy and, if not installed and used in accordance with the instructions, may cause harmful interference to radio communications. However, there is no guarantee that interference will not occur in a particular installation. If this equipment does cause harmful interference to radio or television reception, which can be determined by turning the equipment off and on, the user is encouraged to try to correct the interference by one or more of the following measures: Reorient or relocate the receiving antenna. Increase the separation between the equipment and receiver. Connect the equipment into an outlet on a circuit different from that to which the receiver is connected. Consult the dealer or an experienced radio/TV technician for help. Any changes or modifications not expressly approved by the manufacturer could void the user's authority to operate the equipment.

WARRANTY

This product is warranted to be free from defects in workmanship and materials for up to five years from date of purchase. If the product fails within the warranty period, please contact Feit Electric at info@feit.com, visit feit.com/contact-us for instructions on replacement or refund. **REPLACEMENT OR REFUND IS YOUR SOLE REMEDY. EXCEPT TO THE EXTENT PROHIBITED BY APPLICABLE LAW, ANY IMPLIED WARRANTIES ARE LIMITED IN DURATION TO THE DURATION OF THIS WARRANTY. LIABILITY FOR INCIDENTAL OR CONSEQUENTIAL DAMAGES IS HEREBY EXPRESSLY EXCLUDED.** Some states and provinces do not allow the exclusion of incidental or consequential damages, so the above limitation or exclusion may not apply to you. This warranty gives you specific legal rights, and you may also have other rights which vary from state to state or province to province.

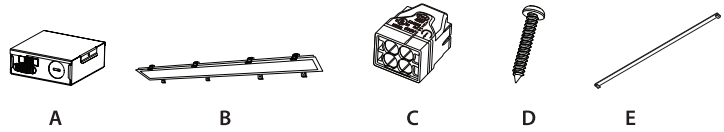
PACKAGE CONTENTS

Before beginning installation of this product, make sure all parts are present. Compare parts with package contents list and diagram. If any part is missing or damaged, do not attempt to assemble, install or operate this product.

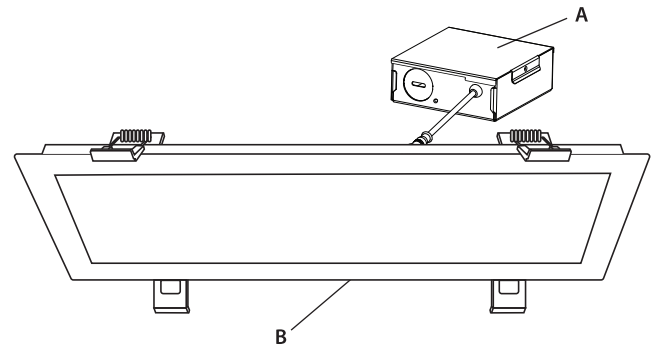
Tools Required (Not Included)

- Screw driver
- Drywall saw (recommended)
- Goggles
- Gloves
- Ladder

Package Components



	COMPONENTS INCLUDED
A	(1) POWER SUPPLY BOX
B	(1) DOWNLIGHT FIXTURE
C	(3) QUICK CONNECTORS
D	(2) POWER SUPPLY SCREW (ST4.2*25mm)
E	(2) WHITE SEAM COVER



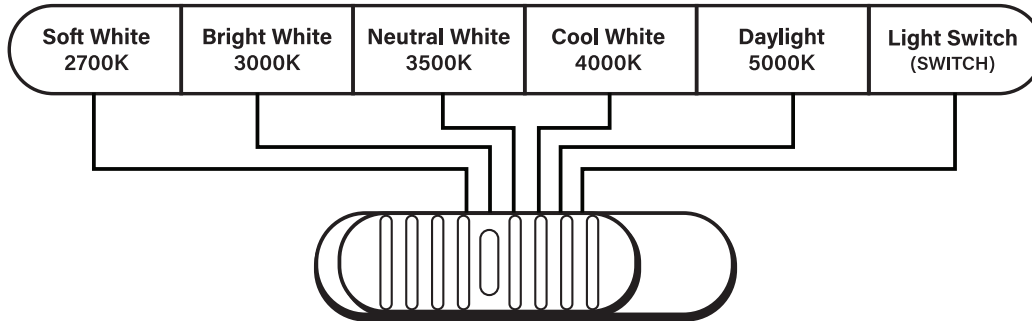
PRODUCT ELECTRICAL RATINGS

The foam insert between the trim and ceiling of this panel will create an air tight seal and is required for the ASTM Air Tight Certification. Suitable for Type IC.

LIGHTING DISTRIBUTION

Distance	Center Beam (Foot candles)	Beam Diameter
3 ft.	41.6	9.1 ft.
5 ft.	15.0	15.1 ft.
8 ft.	5.9	24.3 ft.
15 ft.	1.7	45.5 ft.
Beam Angle = 113.2°		

CHOOSE A WHITE COLOR SETTING



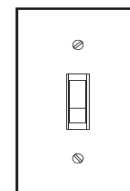
NOTICE: The toggle switch is located on the power supply box.

CHOOSE YOUR FAVORITE WHITE COLOR TEMPERATURE:

- When the slide switch is set to SW (Soft White), the color temperature is set at 2700K.
- When the slide switch is set to BW (Bright White), the color temperature is set at 3000K.
- When the slide switch is set to NW (Neutral White), the color temperature is set at 3500K.
- When the slide switch is set to CW (Cool White), the color temperature is set at 4000K.
- When the slide switch is set to DL (Daylight), the color temperature is set at 5000K.

ADJUST YOUR LIGHT COLOR ANYTIME WITH A REGULAR WALL LIGHT SWITCH

- Set the slide switch on the power supply box to SWITCH.
- Toggle your light switch ON and OFF within 0.5-2 seconds to cycle through the five different white color temperatures.
- If the fixture is left OFF for over 10 seconds then turned ON, the fixture remembers the last white color temperature selected and displays that color when turned on again.
- The reset function is used when using multiple color selectable lighting products operating from the same light switch. In the event that multiple fixtures are not displaying the same color at the same time, the fixtures must be RESET using your existing light switch. From the ON position toggle the wall switch ON and OFF seven times, pausing in the ON position for 1 second each time.

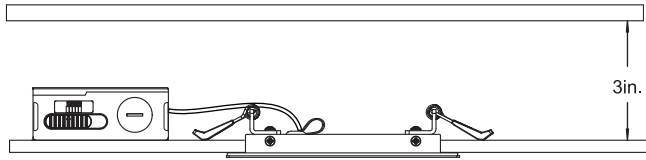


PRE-INSTALLATION REVIEW

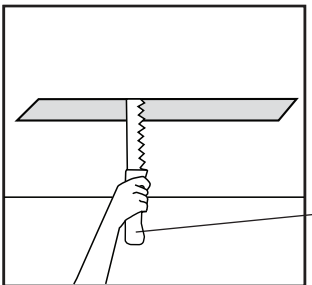
- Turn the power OFF from the breaker panel before starting installation.
- Locate a suitable location for the fixture and cut the correctly sized hole in the drywall or ceiling tile (for a suspended T-Bar type ceiling).
- Know the location of your joist before making any cuts.
- Run electrical wire from home to the power supply box; use NM cable or Flexible Metal Conduit Cable.
- Use the slide switch to choose a preferred color temperature before installing (2700K, 3000K, 3500K, 4000K, 5000K) or use Switch mode (SW) to cycle through the different color temperatures.

INSTALLATION INSTRUCTIONS FOR RECESSED HOUSING

1 Identify the number of downlights to be installed and measure the designated locations for each fixture. Utilize the supplied cutout template to mark the precise hole positions.

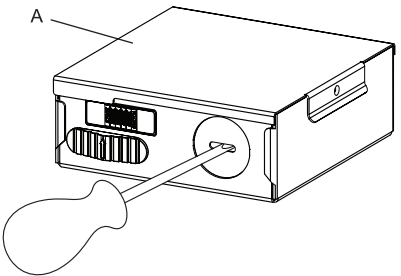


2 Cut a rectangular hole in the ceiling as accurate as possible using a drywall saw (not included) and the provided cutout template. Make sure the opening is not larger than the outer trim of light.



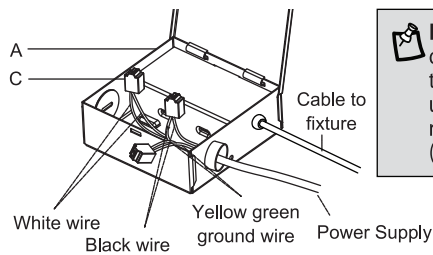
NOTE: Before cutting, ensure that the hole does not impinge on joists, pipe work, cable or other building services.

3 Gently extract the knockout from the Power Supply Box (A) using a screwdriver or punch driver.



NOTE: For easier installation, separate the power supply box and downlight by disconnecting the tethered connectors.

4 Open the Power Supply Box (A) cover. Feed the supply wire into the knockout hole using a 3/8 in. clamp connector (not included). Using Quick Connectors (C), connect the 120V line (black) wire to the black wire, connect the neutral (white) wire to the white wire, and connect the ground (green) wire to the green wire. This power supply box needs to be grounded. Wires inserted into the quick connectors must meet the *Wire Gauge and Strip Length Requirements.

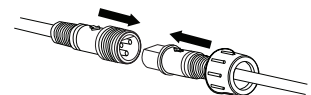


NOTE: For the best connection, use solid wire or tin bonded stranded wire. If using stranded wire, we recommend using wire nuts (not included).

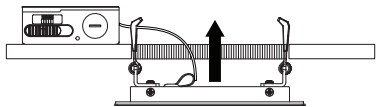
5 After inserting the supply wire into the Quick Connectors (C), double check the connection by following these simple tests:

- Hold the quick connector with one hand and with the other hand pull at the connected wires to ensure proper wire connection.
- Ensure a sufficient amount of wire is visible through the clear shell for visual verification.

6 Reconnect the Power Supply Box to the downlight. To ensure proper connection, the arrows on the cable adapters must be facing each other and the color label on each end should match. Screw on the fastener to secure connection.



7 Hold the spring clips against the Downlight (B) and gently guide into the ceiling until the clips snap into place. The fixture should be flush with the ceiling.

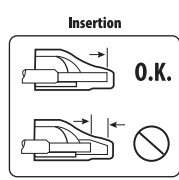
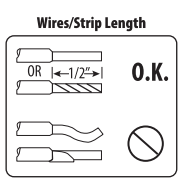


NOTE: Ceiling thickness must be 1/2" to 3/4".

8 Restore the power at the breaker panel.

* WIRE GAUGE AND STRIP LENGTH REQUIREMENTS

Wire Type	Wire Range	Strip Length
Solid wire	14-18 AWG	0.43 - 0.50 in.
Tin bonded stranded wire	14-18 AWG	0.43 - 0.50 in.




NOTE: If the jacket of the cable is not in the wago connector ensure the strip length is correct and/or verify the wire is fully inserted.

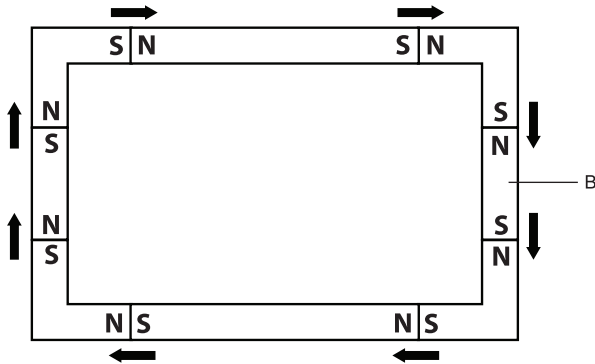
END TO END CONNECTION INSTRUCTIONS

- 1** Identify the number of downlight fixtures (B) to be installed and the polarity of the magnets on each end.


 **NOTE:** Ensure to align the magnets correctly by following the South (S) and North (N) polarity labels for proper linkage.

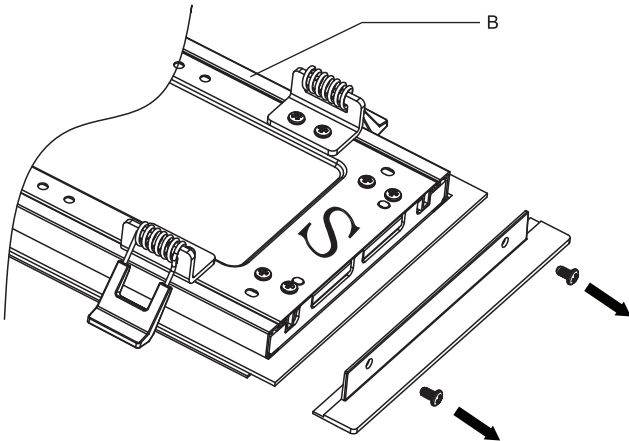
 **NOTE:** End to End connection provides limitless customization possibilities with 1ft, 3ft, and corner downlights.

 **NOTE:** Downlights sold separately.

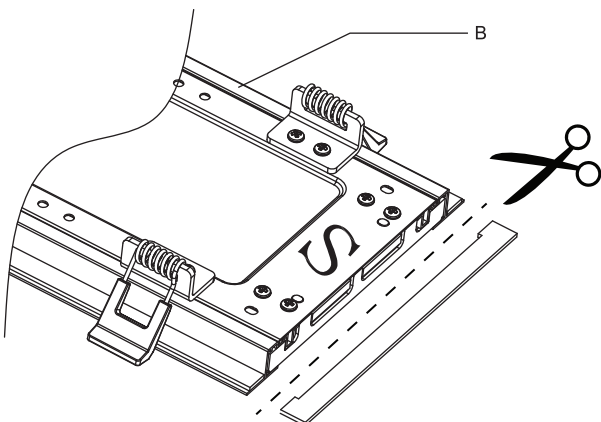


- 2** Detach the endcap trim from the downlight fixture (B) by removing the two screws.

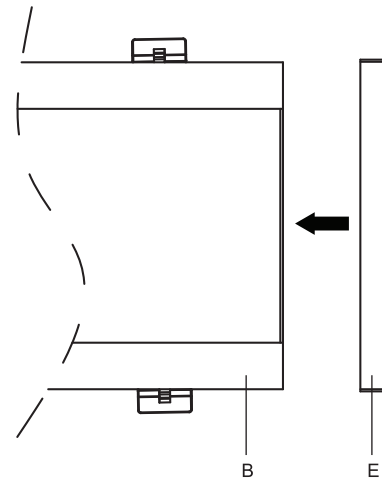
 **NOTE:** Do not remove the clear rubber gasket at the end of the fixture (B).



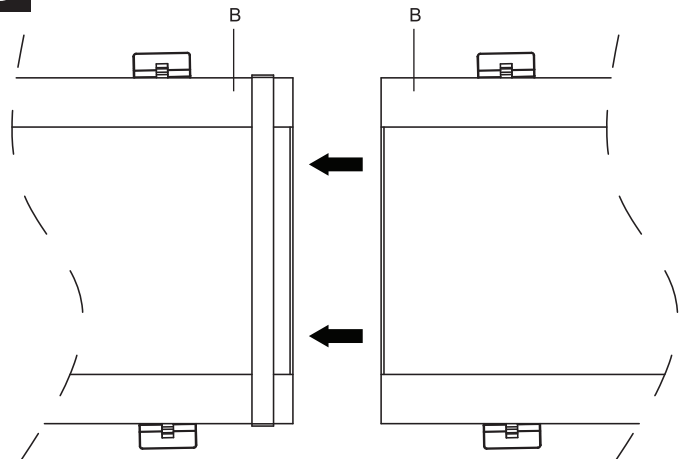
- 3** Cut the overhanging gasket from the downlight fixture (B).



- 4** Slide the white seam cover (E) over the end of the downlight fixture (B).



- 5** Connect the ends of the downlight fixtures (B) together.



- 6** Slide the white seam cover (E) towards the linking point of the two downlight fixtures (B) to cover the seam.

