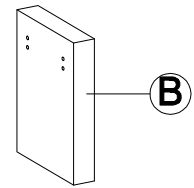
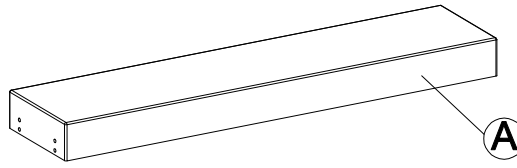


ONE COLL. PLANK DINING BENCH ASSEMBLY INSTRUCTIONS



PARTS PACKING CONFIGURATIONS

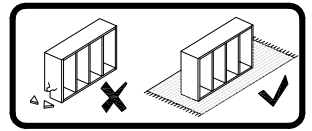
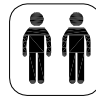
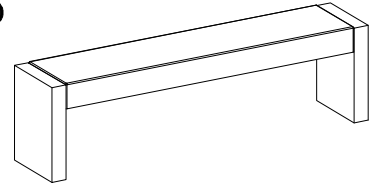
A. SEAT 1PC
B. LEG 2PCS



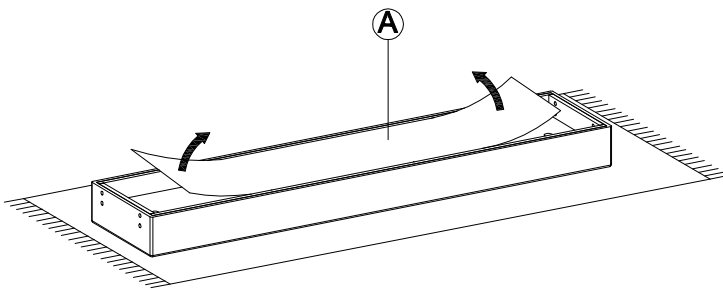
HARDWARE KIT PACKED IN BOX

NO.	DESCRIPTION	IMAGE	Q'TY
1	ALLEN BOLT (5/16"x2-1/2")		8 PCS
2	LOCK WASHER (5/16")		8 PCS
3	FLAT WASHER (5/16")		8 PCS
4	ALLEN KEY (5mm)		1 PC

FULLY ASSEMBLED

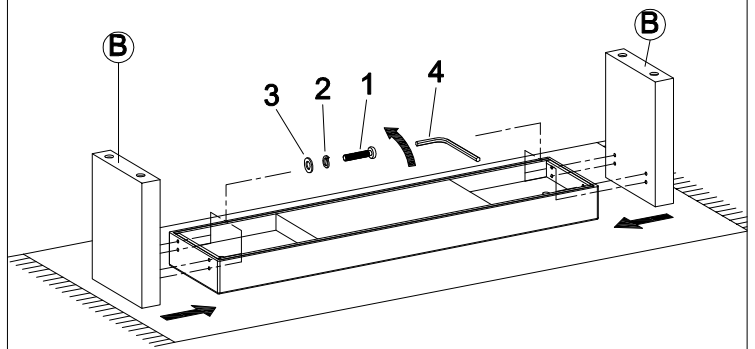


Step 1:

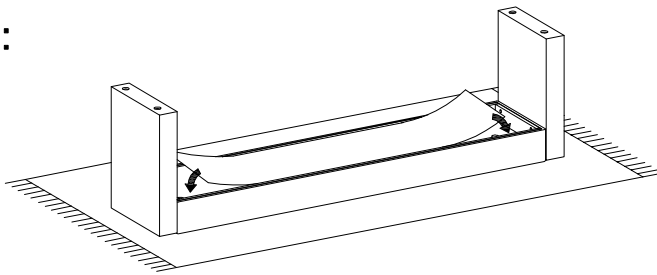


Step 2:

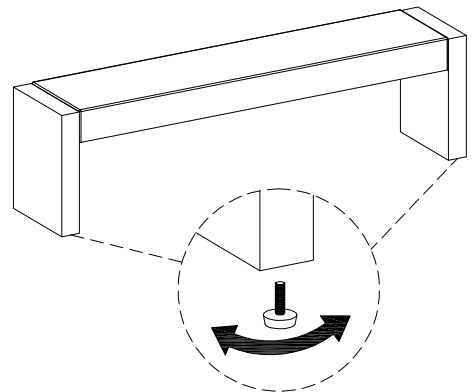
#1 (8)	#2 (8)	#3 (8)	#4 (1)



Step 3:



ASSEMBLY COMPLETE



Step 4:

