

NEED HELP?
Call or Email us first

Our service team is ready to answer your questions...
1-800-265-1833 (English) / 1-800-567-2513 (French)
IN CANADA - ressaiescanada@canarmna.ca - IN USA - ressaiesusa@canarmna.ca

Monday – Friday
8 AM - 5 PM EST.



INSTRUCTIONS PERTAINING TO RISK OF FIRE OR INJURY TO PERSONS
READ ALL INSTRUCTIONS

IMPORTANT SAFETY INSTRUCTIONS

SAVE THESE INSTRUCTIONS

TOOLS AND MATERIALS REQUIRED:



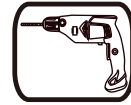
Phillips
Screwdriver



Wrench



Pliers



Drill

Wiring supplies
as required by
local electrical
code

SAFETY PRECAUTIONS:

1. THIS PRODUCT MUST BE INSTALLED IN ACCORDANCE WITH THE APPLICABLE INSTALLATION CODE BY A PERSON FAMILIAR WITH THE CONSTRUCTION AND OPERATION OF THE PRODUCT AND THE HAZARDS INVOLVED.
2. USE CHAIN TO SUPPORT THE FIXTURE. DO NOT USE THE ELECTRICAL CORD TO HANG THE FIXTURE. USE THE RUBBERIZED "S" HOOK TO HANG THE CORD. PERIODICALLY CHECK SUSPENSION CHAIN AND THE HOOK. DO NOT ALTER THE PLUG.
3. DO NOT INSTALL ON RADIANT-HEATING TYPE CEILING.
4. UNPLUG FIXTURE BEFORE INSTALLING OR REMOVING BULB.
5. UNPLUG WHEN NOT IN USE.
6. TO CLEAN THE FIXTURE, TURN OFF THE POWER, WAIT FOR IT TO COOL, AND WIPE THE FIXTURE WITH A CLEAN, SOFT CLOTH.

NOTE: Product may not look exactly as shown in figures.

PACKAGE CONTENTS:



Mounting Bracket
x 1



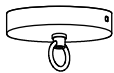
Ceiling Hook
x 1



"S" Hook
x 1



Plastic Wall Anchor
x 2



Canopy
x 1



Cable Tie
x 1



Fixture
x 1



Shade
x 1

INSTALLATION:

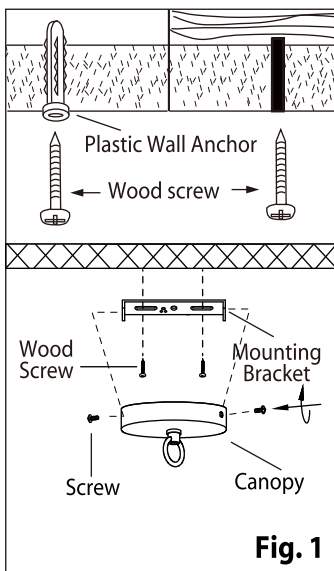


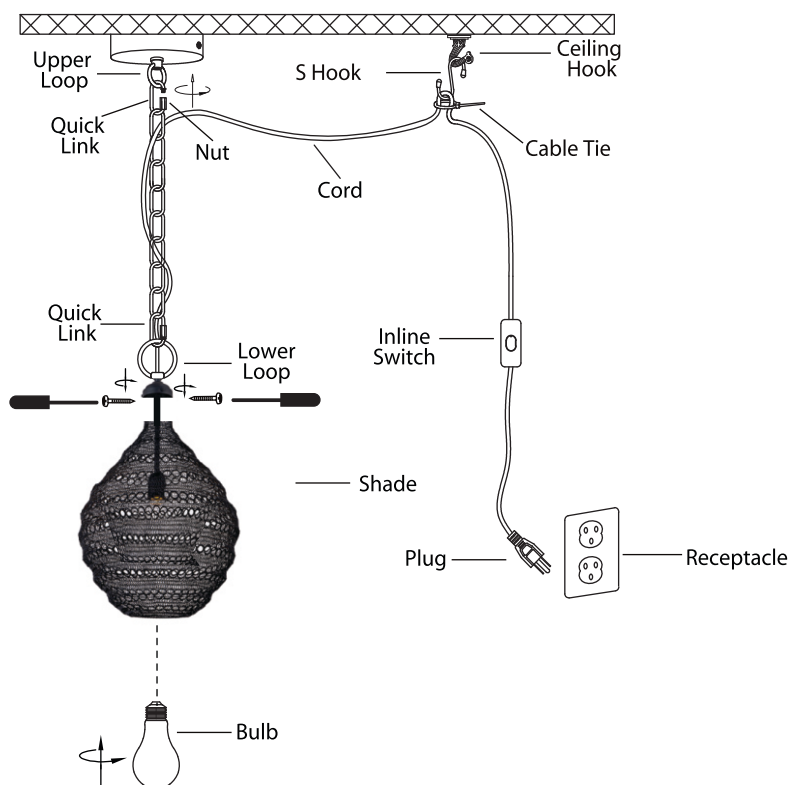
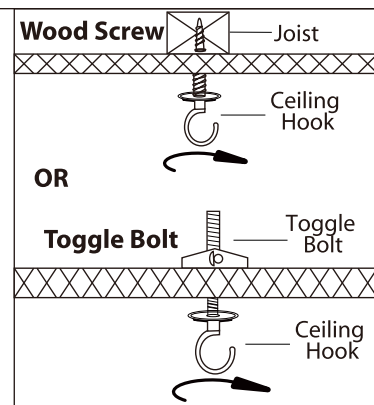
Fig. 1

1. Decide a suitable location where you want your light fixture to be positioned. Determine your mounting method. Mark two spots on the ceiling for the mounting hardware.

2. Wood: Drill 2 pilot holes, install Mounting Bracket using wood screws (not included) as shown (Fig 1).

Drywall: Drill appropriate size hole for Plastic wall Anchor, install Mounting Bracket using wood screws as shown (Fig 1).

Attach Canopy as shown using the 2 screws (not included) (Fig 1).

Fig. 2**Fig. 3**

3. Determine desired height for Fixture, remove excess links. Using the supplied Quick Links, attach chain to upper and lower loops as shown (Fig.2), close the Quick Link using the attached nut.

4. Decide which Electrical outlet you wish to use for the Fixture, position the Ceiling Hook (supplied) directly above your outlet as shown (Fig.2).

Wood: Drill pilot hole and install Ceiling hook by screwing directly into the stud.

Drywall: Drill the appropriate size hole for the Toggle Bolt (supplied) and install as shown (Fig.3).

5. Add loop to Cord and attach to supplied Rubberized S Hook as shown (Fig.2).

6. Remove spinner nut from socket. Position shade on lamp and secure with spinner nut.

7. Install proper bulb type and wattage (not included).