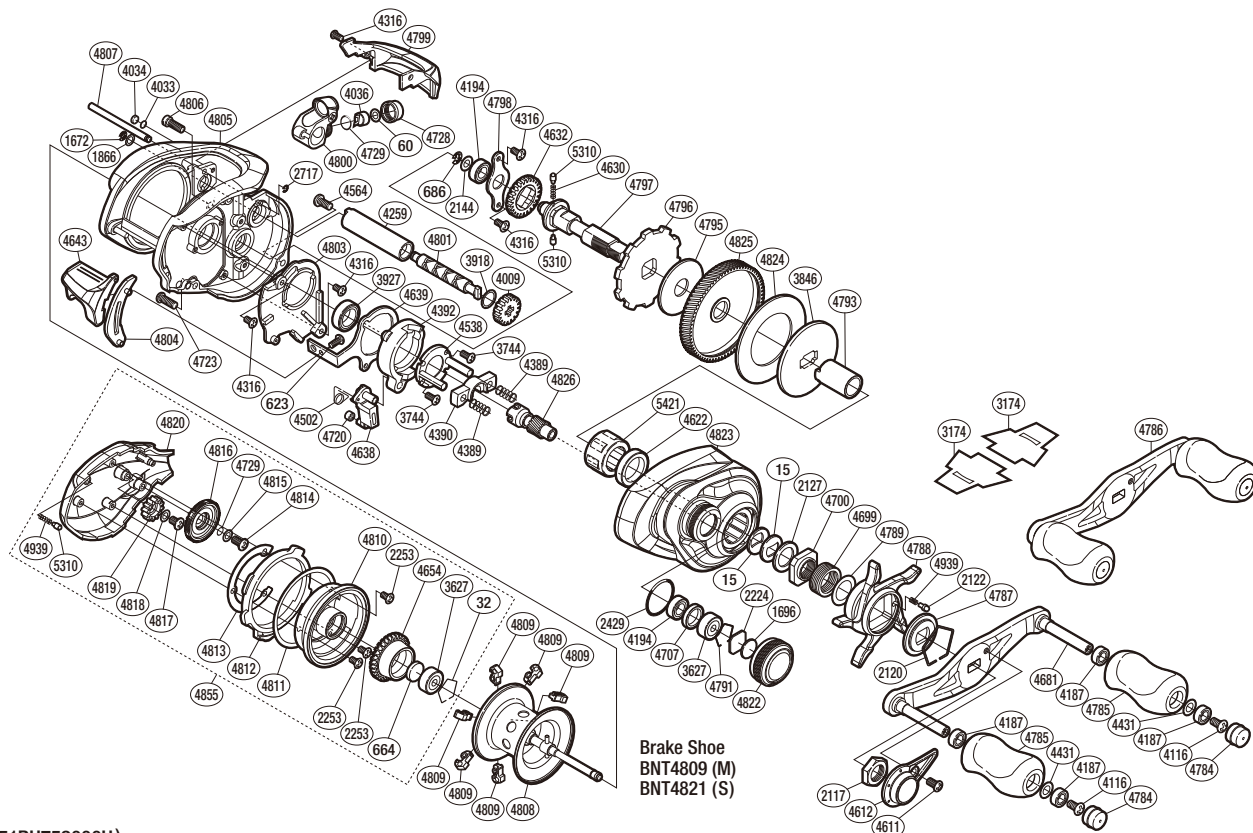


SHIMANO

Metanium

META-HGR



(51RH752000U)

#	Part No.	Description	#	Part No.	Description	#	Part No.	Description
15	10D60	Drag Spring Washer	4392	10KSB	Clutch Cam	4799	10FTQ	Level Wind Protector
32	10GEW	Bearing Retainer	4431	10G8G	Washer	4800	10NVM	Line Guide
60	10CFW	Spacer	4502	104CN	Clutch Pawl Spring	4801	104T7	Worm Shaft
623	103C0	Screw	4538	10F42	Clutch Cam Retainer	4803	10BVJ	Clutch Guard
664	1057S	Spacer B	4564	10LZD	Screw	4804	1096Y	Clutch Bar Guide
686	105NK	E Lock	4611	103EE	Screw	4805	10EV7	One-Piece Frame
1672	105NC	E Lock	4612	10Q5N	Handle Retainer	4806	10M2E	Screw
1696	10896	Cast Control Spacer	4622	10L0D	Drive Shaft Holder Bushing	4807	10GUE	Level Wind Guide
1866	105EK	Spacer	4630	10JDX	Idle Gear Spring	4808	10L10	Spool Assembly
2117	10FSM	Handle Nut	4632	10JAG	Idle Gear	4809	105M4	Brake Shoe M
2120	10KXV	Click Plate Retainer	4638	105ZU	Clutch Pawl	4810	10F0J	Brake Case
2122	10BT0	Click Pin	4639	10QGF	Clutch Plate	4811	104N1	Washer
2127	10J1N	Star Drag Spacer	4643	10MWD	Quick-Fire II Clutch Bar	4812	10BAF	Side Plate Cam Lever
2144	10C47	Washer	4654	10EXP	Brake Pipe Gear	4813	108AX	Brake Case Washer
2224	1085F	Spool Tension Spacer	4681	10A64	Handle Shank Assembly	4814	103LE	Screw
2253	103N4	Screw	4699	10A71	Star Drag Spring	4815	10GFB	Washer
2429	108WK	O Ring	4700	10A0B	Star Drag Nut	4816	10AZ7	Br Dial
2717	105NB	E Lock	4707	10EYU	Bearing Spacer	4817	103L7	Screw
3627	105C0	Ball Bearing	4720	1048C	Clutch Pawl Bushing	4818	10G6W	Washer
3744	10LVH	Screw	4723	103CG	Screw	4819	10CLF	Idle Gear
3846	10D3N	Key Washer	4728	10FJD	Pawl Cap	4820	10A9J	Left Side Plate
3918	10G84	Washer	4729	108WQ	O Ring	4822	10KDG	Cast Control Cap
3927	10EX8	Ball Bearing	4784	106JX	Handle Knob Seal	4823	10HXX	Right Side Plate
4009	10FNZ	Idle Gear	4785	1064U	Handle Knob	4824	106XS	Drag Washer
4033	108SK	Washer	4786	10CEP	Handle Assembly	4825	10CM2	Drive Gear
4034	108Q2	Anti-Thrust Washer	4787	10J1Y	Star Drag Click Plate	4826	10CPN	Pinion Gear
4036	10FFW	Line Guide Pawl	4788	10D6B	Star Drag	4855	10HSX	Left Side Plate Assembly
4116	103E9	Screw	4789	10HHM	Washer	4939	10988	Click Spring
4187	104VX	Ball Bearing	4791	10GEX	Bearing Retainer	5310	10HJG	Idle Gear Pin
4194	105BP	Ball Bearing	4793	10CCL	Roller Clutch Inner Tube	5421	10TM8	Roller Clutch Bearing
4259	10NJD	Level Wind Guard	4795	10CJ1	Drag Washer			
4316	10MT2	Screw	4796	10D6X	Anti-Reverse Ratchet	3174	10PBQ	Reel Seat Spacer (Accessory)
4389	104BU	Yoke Spring	4797	1058G	Drive Shaft	4692	10LQ0	B-100 Oil (Accessory)
4390	1046S	Yoke	4798	109T2	Drive Shaft Retainer	4821	105M5	Brake Shoe S (Accessory)

Please note that the number of adjusting washers may not be the same as shown in the exploded views.
(Adjustment will vary with each individual product.)

(241204)_002