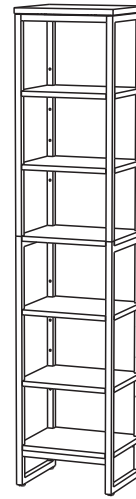


# Seven Tier Shelf



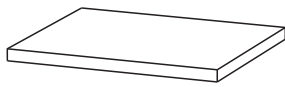
## IMPORTANT

Carefully remove all the parts from the carton and place them individually on a soft cloth to prevent scratches or other damage.

Carefully and strictly follow these assembly instructions to ensure a completed product as designed.

Do not use power tools above 8 volts to assemble.

## Part List



A.  
Top  
1 pc.



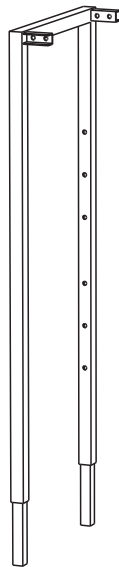
B.  
Shelf  
4 pcs.



C.  
Shelf  
1 pc.



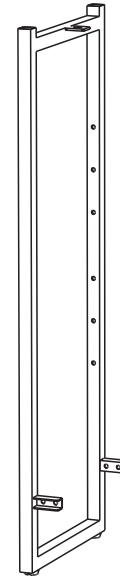
D.  
Base  
1 pc.



E.  
Side Frame  
1 pc.



F.  
Side Frame  
1 pc.



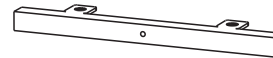
G.  
Side Frame  
1 pc.



H.  
Side Frame  
1 pc.



I.  
Stretcher  
3 pcs.

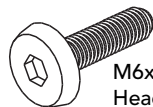


J.  
Stretcher  
1 pc.

## Hardware List



Hex Wrench  
1 pc.



M6x16  
Head Cap Bolt  
30 pcs. (+1 extra)



Spring Washer  
30 pcs. (+1 extra)



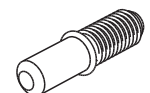
Small Hex Wrench  
1 pc.



Flat Washer  
20 pcs. (+1 extra)



Flat Washer (large)  
10 pcs. (+1 extra)



Adjustable Pin  
16 pcs. (+1 extra)

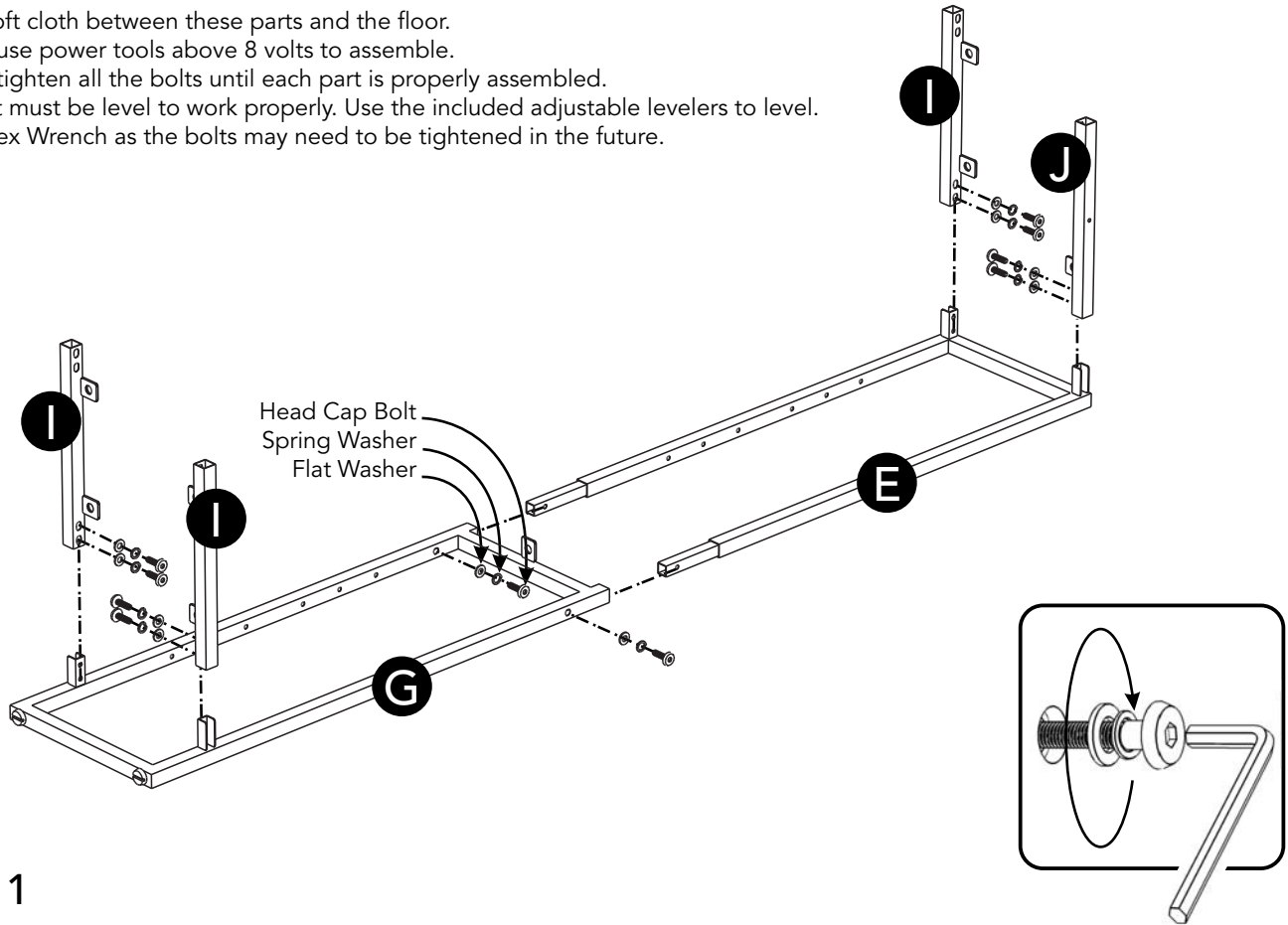
Tool(s) required for assembly: Phillips screwdriver, Level, Drill (8 volts or less), 3/8" Drill Bit

homestyles Customer Service: [www.homestylesfurniture.com](http://www.homestylesfurniture.com),  
[servicedesk@homestylesfurniture.com](mailto:servicedesk@homestylesfurniture.com), 888-680-7460

## Assembly Instructions 2/5

### IMPORTANT

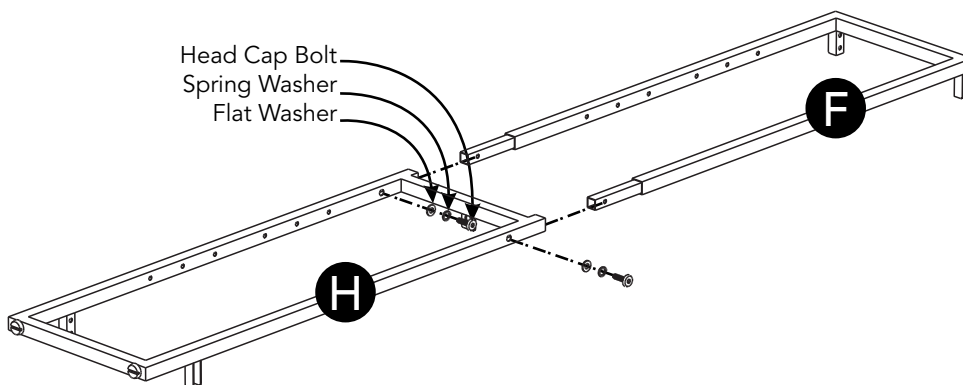
- Use a soft cloth between these parts and the floor.
- Do not use power tools above 8 volts to assemble.
- Do not tighten all the bolts until each part is properly assembled.
- The unit must be level to work properly. Use the included adjustable levelers to level.
- Keep Hex Wrench as the bolts may need to be tightened in the future.



### STEP 1

Attach Side Frame (E) to Side Frame (G) with Flat Washers, Spring Washers and Head Cap Bolts, tightening bolts only halfway. (See Figure 1)

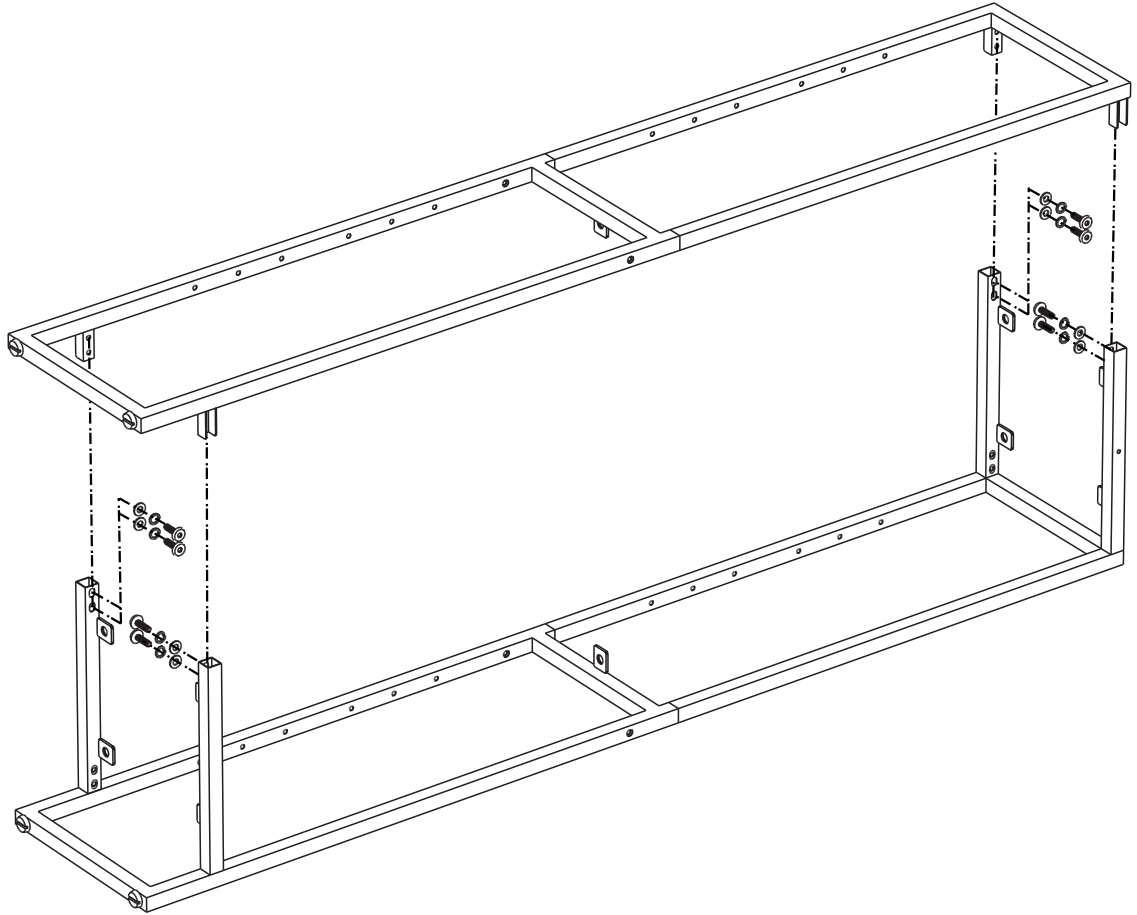
Attach Stretchers (I) and (J) to unit with Flat Washers, Spring Washers and Head Cap Bolts, tightening bolts only halfway.



### STEP 2

Attach Side Frame (F) to Side Frame (H) with Flat Washers, Spring Washers and Head Cap Bolts, tightening bolts only halfway.

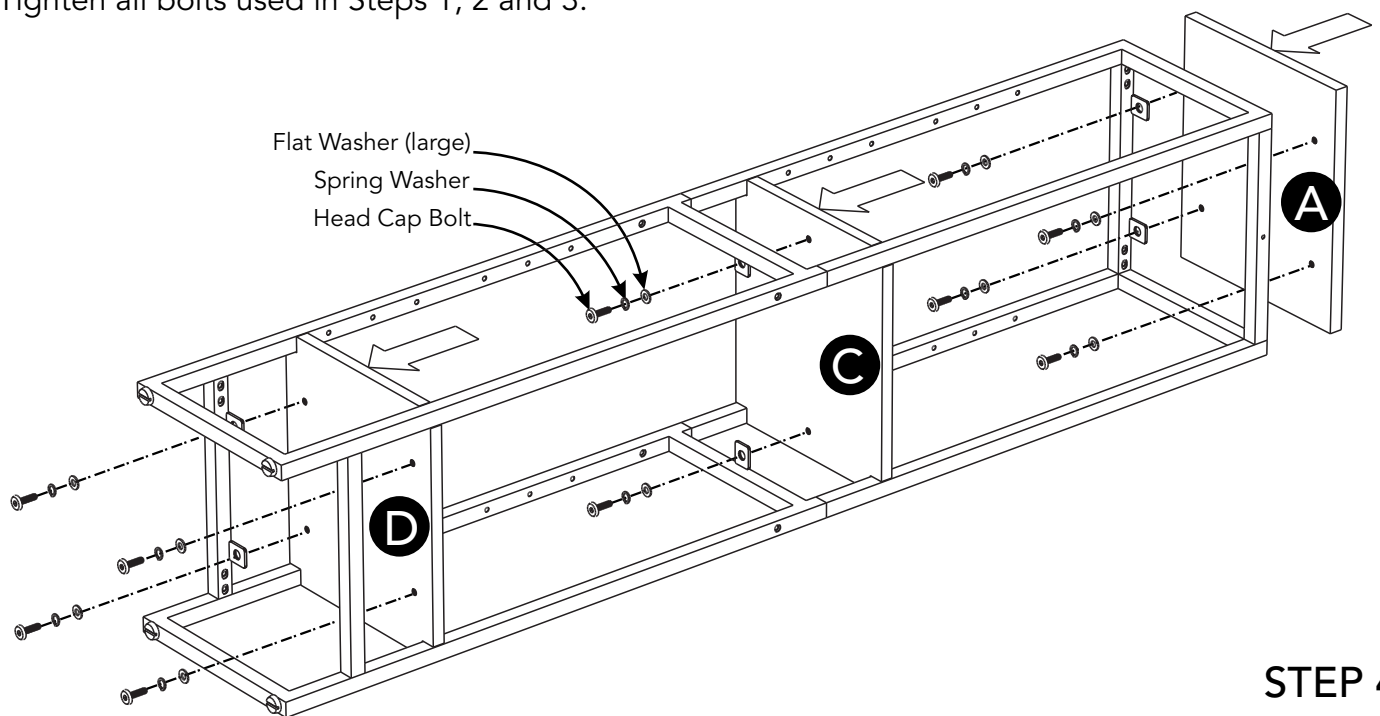
## Assembly Instructions 3/5



### STEP 3

Attach unit to unit from Step 1 with Flat Washers, Spring Washers and Head Cap Bolts, tightening bolts only halfway.

Tighten all bolts used in Steps 1, 2 and 3.



### STEP 4

Attach Top (A), Shelf (C) and Base (D) with Flat Washers (large), Spring Washers and Head Cap Bolts, tightening bolts only halfway.

Tighten all bolts.

## Assembly Instructions 4/5

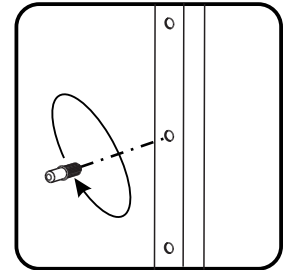
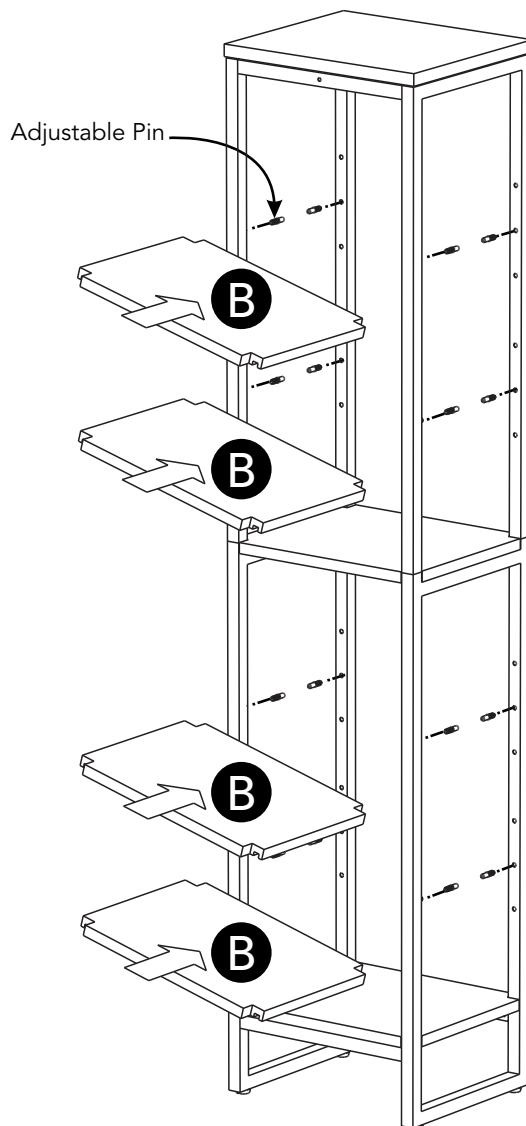


Figure 2

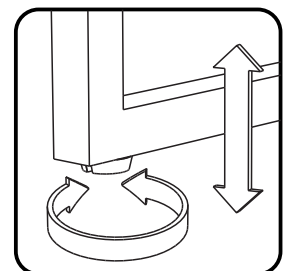


Figure 3

### STEP 5

Turn unit to its upright position.

Insert Adjustable Pins into unit at desired level. (See Figure 2)

Place Shelves (B) into position.

Level unit by adjusting the adjustable levelers on bottom of unit. (See Figure 3)

Note: Unit must be level to work properly.

# Assembly Instructions 5/5

## IMPORTANT

• To help reduce the risk of the unit tipping over, the Tipover Restraint must be installed following these instructions exactly.

## STEP 6

Place unit at desired location.

Drill a 3/8" hole in wall in-line with pre-drilled hole at top of unit.

Move unit.

Insert Anchor into the wall hole and attach Bracket with Wall Screw.

Attach Bracket at pre-drilled hole at top of unit with Machine Screw.

Move unit back into place.

Slide Tipover Restraint through Bracket on wall and Bracket on unit.  
(See Figure 4)

Put tie end of Tipover Restraint into lock end of Tipover Restraint and pull until tight.

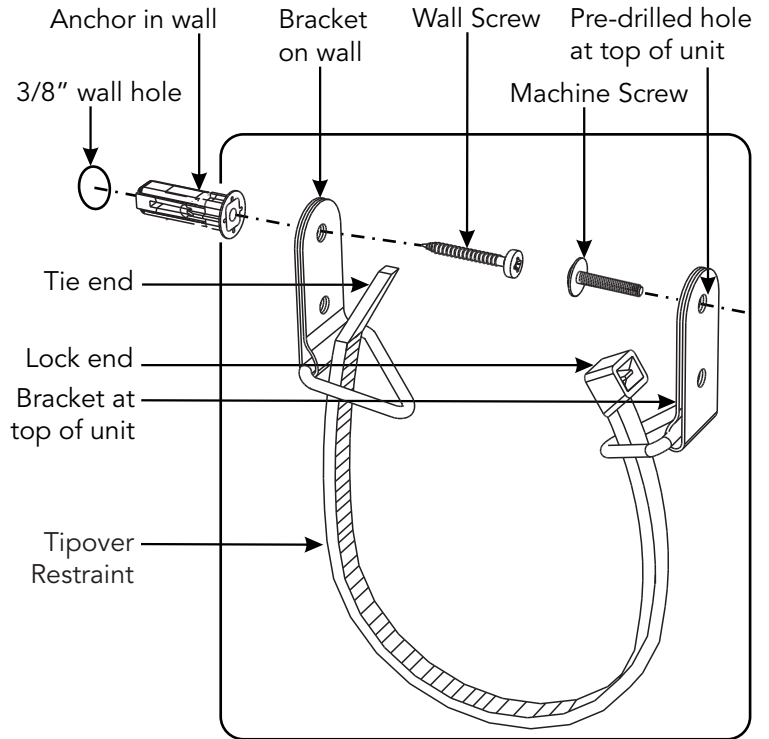
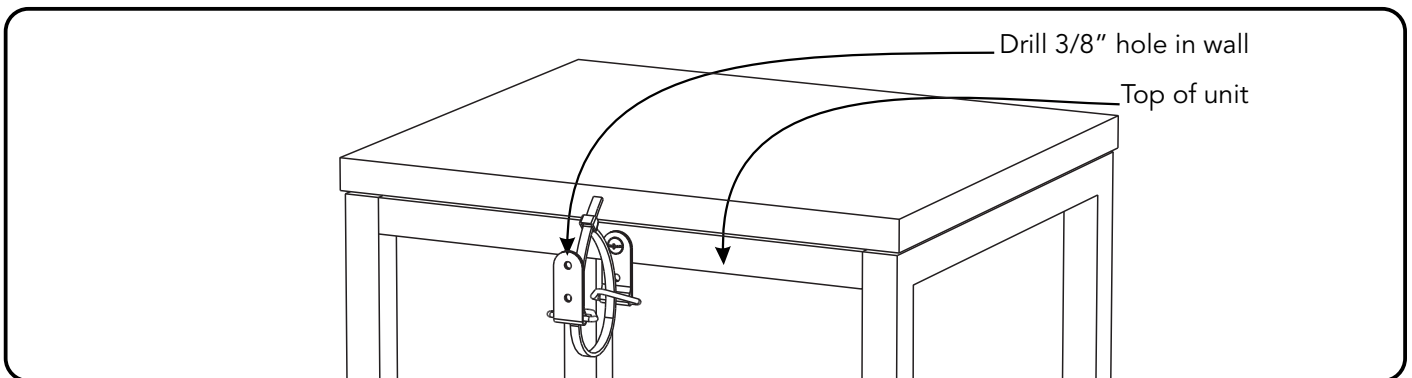
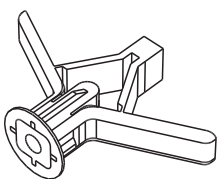


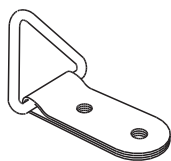
Figure 4



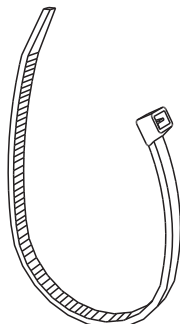
## Hardware List



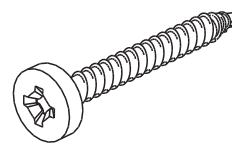
Anchor  
1 pc. (+1 extra)



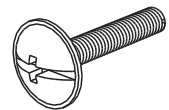
Bracket  
2 pcs. (+1 extra)



Tipover Restraint  
1 pc. (+1 extra)



M3.5x40  
Wall Screw  
1 pc. (+1 extra)



M4x10  
Machine Screw  
1 pc. (+1 extra)

# CARE INSTRUCTIONS

## NEVER

allow liquids to remain on furniture.  
Absorption causes parts to warp  
and split and finishes to delaminate.

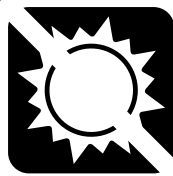
## NEVER

use glass cleaners on  
finished furniture. Ammonia  
chemically attacks the finish.



Do not use power tools  
above 8 volts to assemble.

**PREVENT  
CRACKING**



Do not place  
in direct sunlight.

**PREVENT  
FADING**



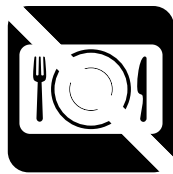
Do not write  
directly on surface.

**PREVENT  
MARKING**



Do not place hot  
objects on surface.

**PREVENT  
FINISH DAMAGE**



Do not use rubber  
based placemats.

**PREVENT  
DISCOLORING**

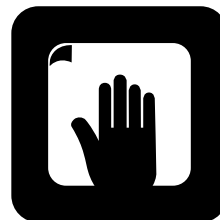


Do not use commercial  
waxes and polishes.

**PREVENT  
YELLOWING**

## CLEAN

with a soft cloth moistened  
in lukewarm soap and water.  
Buff with a dry clean cloth.



**homestyles** will provide replacements free of charge for missing or damaged parts within 30 days of purchase. Digital images of the defective parts may be required. If the product was not purchased from an authorized retailer, **homestyles** is under no obligation to provide replacement parts. Parts are not available for fully assembled items nor are parts available for sale. Replacements for missing or damaged parts may be requested via contact info below.

**homestyles** Customer Service: [www.homestylesfurniture.com](http://www.homestylesfurniture.com),  
[servicedesk@homestylesfurniture.com](mailto:servicedesk@homestylesfurniture.com), 888-680-7460