

### MODEL NUMBERS

- K-6503
- K-6592
- K-6593
- K-6594
- K-6596
- K-6597
- K-6599
- K-6601
- K-6602
- K-6681
- K-6683
- K-6685
- K-6686
- K-6687
- K-6688
- K-6697

### CHECK SIZES

1. **Check frame and bowl size.** To insure proper fit, place frame over sink.

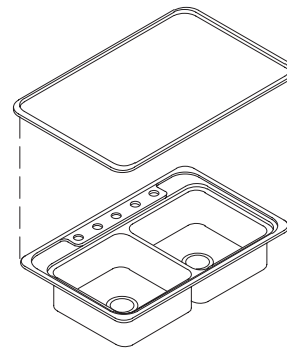


Fig. #1

2. **Check and mark cabinet.** Be certain frame and bowl are the right size for the cabinet.

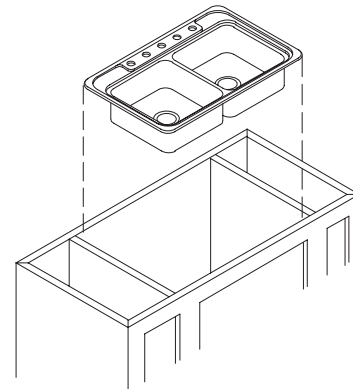


Fig. #2

3. **Mark countertop for "cutout".** Outline the exact dimensions of section in the undersink cabinet where the sink will rest.

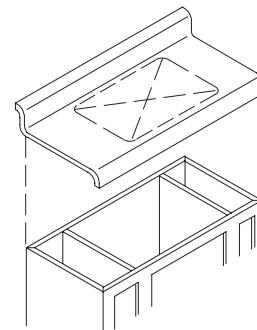
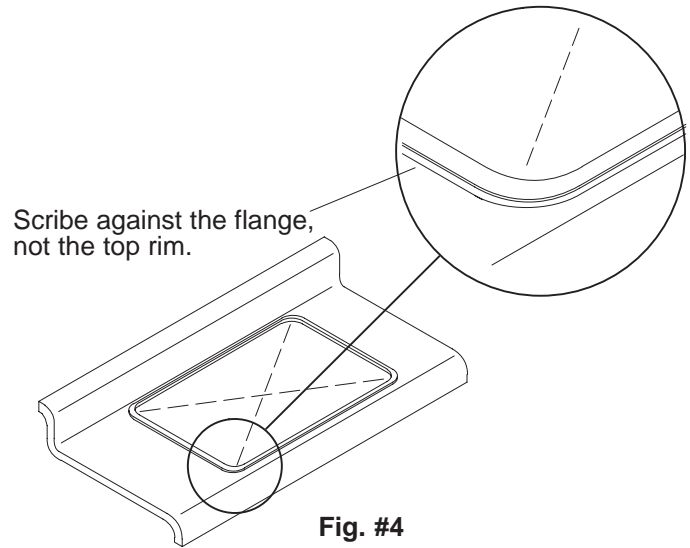


Fig. #3

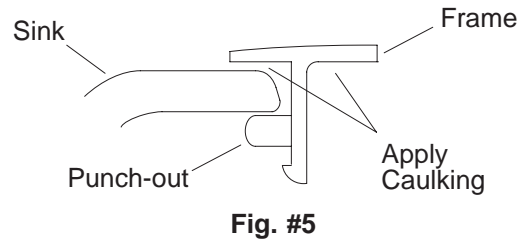
## SCRIBE AND CUT COUNTERTOP

1. Place the frame on the countertop, vertical flange down, in the exact center of this space.
2. Draw line around the outside of the flange, not around the top of the rim.
3. **Make the cutout.** For rectangular sinks, drill through at each corner. For round,/oval bowls, use one starting hole and make the cutout with a keyhole saw.



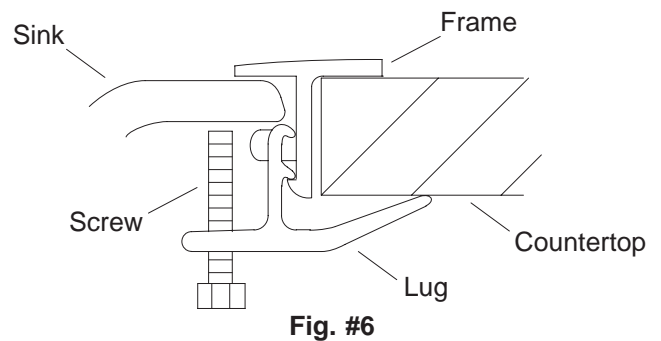
## INSTALL BOWL IN FRAME

1. Apply caulking under both sides of frame face and place over bowl. To support the sink when placed in the cutout, push out punch-out corner tabs with a screwdriver (lower tabs for cast iron, top tabs for steel).



2. **Complete assembly.** Place sink and frame in "cutout". Attach lugs close to corners. Evenly space the remaining lugs, keeping them 2" (5cm) away from the weld.

**NOTE:** When used with stainless steel or enameled steel sinks, use a pad between bolt end and sink ledge. This will provide assurance against damage to sink. Pads 3/4" (2cm) x 3/4" (2cm) may be made of plastic laminate surfacing or metal.



## CALL US FOR HELP

Here's what you need to do if you require service:

First review the installation instructions to ensure correct installation. For additional assistance in the USA, call our Customer Service Department for direct help. You may also contact us at our web site listed below.

**Call 1-800-4-KOHLER within the U.S.**

**Call 001-877-680-1310 within Mexico**

**Call 1-800-964-5590 within Canada**

THE BOLD LOOK  
OF **KOHLER**®

[www.kohlerco.com](http://www.kohlerco.com)