

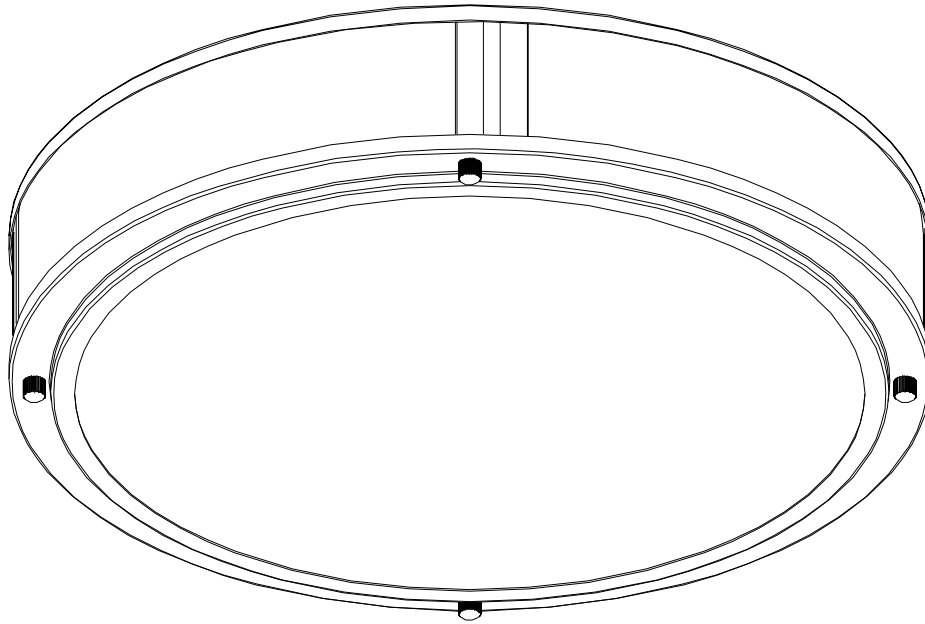


Thank you for your purchase. Questions, comments or feedback? We'd love to hear from you. Visit feit.com/help for support.



SMART 13 INCH FLUSH MOUNT CEILING FIXTURE

IMPORTANT SAFETY INSTRUCTIONS AND INSTALLATION GUIDE



READ BEFORE INSTALLATION
SAVE THESE INSTRUCTIONS

Questions, problems, missing parts? Before returning to the store, contact Feit Electric Customer Service at feit.com/help for assistance.



Table of Contents

Safety Information	2
FCC Statement	2
Warranty	2
Pre-Assembly	3
Installation	4-5
App Setup	6
Reset	6
Troubleshooting	6
Help	6

Safety Information



WARNING: RISK OF SHOCK House electric current can cause painful shock or serious injury unless handled properly.

For your safety, always remember to:

- Turn off the power supply at the fuse or circuit breaker box before you install the fixture.
- Ground the fixture to avoid potential electric shocks and to ensure reliable starting.
- Double-check all connections to be sure they are tight and correct.
- Wear rubber soled shoes and work on a sturdy wooden ladder.

This fixture is designed for use in a circuit protected by a fuse or circuit breaker. It is also designed to be installed in accordance with local electrical codes. If you are unsure about your wiring, consult a qualified electrician or local electrical inspector, and check your local electrical code.

SAVE THESE INSTRUCTIONS



CAUTION: TURN OFF THE MAIN POWER AT THE CIRCUIT BREAKER BEFORE INSTALLING THE FIXTURE, IN ORDER TO PREVENT POSSIBLE SHOCK.

GENERAL: All electrical connections must be in accordance with local and National Electrical Code (N.E.C.) standards. If you are unfamiliar with proper electrical wiring connections obtain the services of a qualified electrician.

Remove the fixture and the mounting package from the box and make sure that no parts are missing by referencing the illustrations on the installation instructions.



WARNING: RISK OF CUTS. Some metal parts in the fixture may have sharp edges. To prevent cuts and scrapes, wear gloves when handling the parts.

Account for small parts and destroy packing material, as these may be hazardous to children.

Supplier's Declaration of Conformity:

47 CFR § 2.1077 Compliance Information

Responsible Party: Feit Electric Company
4901 Gregg Road, Pico Rivera, CA 90660, USA
562-463-2852
Unique Identifier: SYW-FM13RGBWAG

This device complies with part 15 of the FCC Rules. Operation is subject to the following two conditions: (1) This device may not cause harmful interference, and (2) this device must accept any interference received, including interference that may cause undesired operation. Note: This equipment has been tested and found to comply with the limits for a Class B digital device, pursuant to part 15 of the FCC Rules. These limits are designed to provide reasonable protection against harmful interference in a residential installation. This equipment generates, uses and can radiate radio frequency energy and, if not installed and used in accordance with the instructions, may cause harmful interference to radio communications. However, there is no guarantee that interference will not occur in a particular installation. If this equipment does cause harmful interference to radio or television reception, which can be determined by turning the equipment off and on, the user is encouraged to try to correct the interference by one or more of the following measures: Reorient or relocate the receiving antenna. Increase the separation between the equipment and receiver. Connect the equipment into an outlet on a circuit different from that to which the receiver is connected. Consult the dealer or an experienced radio/TV technician for help. Any changes or modifications not expressly approved by the manufacturer could void the user's authority to operate the equipment. CAN ICES-005 (B).

Limited Warranty

This product is warranted to be free from defects in workmanship and materials for up to 5 years from date of purchase. If the product fails within the warranty period, please contact Feit Electric at info@feit.com, visit feit.com/contact-us or call 1-866-326-BULB (2852) for instructions on replacement or refund. REPLACEMENT OR REFUND IS YOUR SOLE REMEDY. EXCEPT TO THE EXTENT PROHIBITED BY APPLICABLE LAW, ANY IMPLIED WARRANTIES ARE LIMITED IN DURATION TO THE DURATION OF THIS WARRANTY. LIABILITY FOR INCIDENTAL OR CONSEQUENTIAL DAMAGES IS HEREBY EXPRESSLY EXCLUDED. Some states and provinces do not allow the exclusion of incidental or consequential damages, so the above limitation or exclusion may not apply to you. This warranty gives you specific legal rights, and you may also have other rights which vary from state to state or province to province.



TOOLS REQUIRED

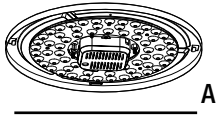


Phillips
Screwdriver

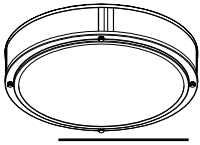
HARDWARE INCLUDED



NOTE: Hardware not shown to actual size.



A



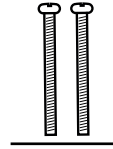
B



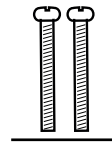
C



D



E



F



G

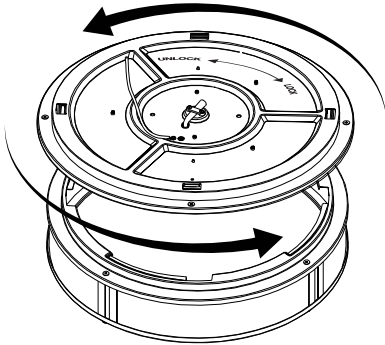
Part	Description	Quantity
A	Fixture Backplate	1
B	Glass Lens	1
C	Mounting Plate	1
D	Wire Nuts	3
E	Fixture Mounting Screws	2
F	Junction Box Mounting Screws	2
G	Fixture Mounting Nuts	2

1 Turning Off the Power

Turn the power OFF at the switch and fusebox or the circuit breaker.

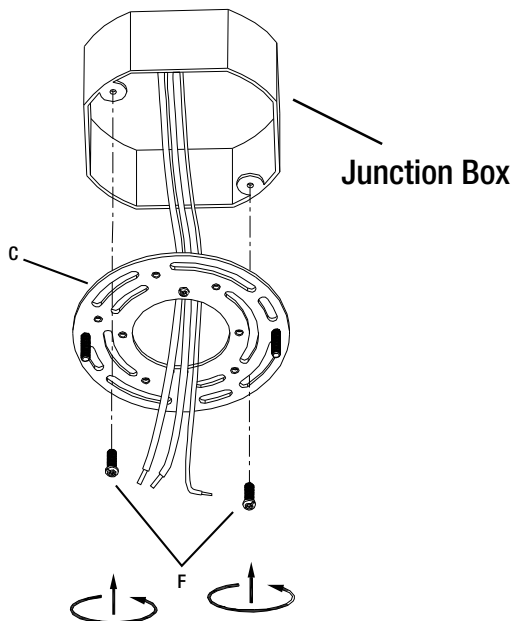
2 Unpacking of Fixtures

Carefully unpack Fixture Backplate (A) and Glass Lens (B). Before installation, check the Lock and Unlock method. Place the glass lens to the backplate inserting it into the opening on the glass lens trim. Reference the Lock and Unlock arrows on the backplate.



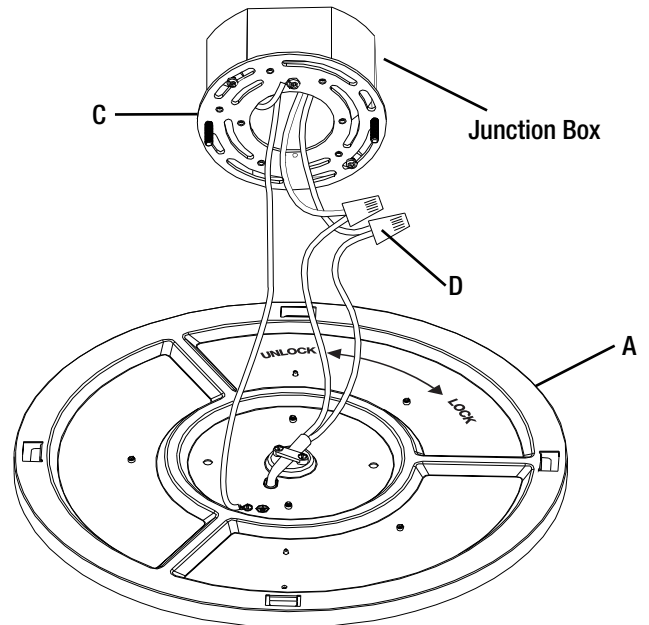
3 Installing the Mounting Plate

Secure the Mounting Plate (C) to the junction box by inserting the two Junction Box Mounting Screws (F) through the slots in the Mounting Plate (C) that best align to the junction box.



4 Connecting the Wires

Lift the Fixture Backplate (A) to the junction box. To ground the fixture, connect the green (or bare copper) ground wire from the supply line and the fixture ground wire to the ground screw on the Mounting Plate (C). No wire nut needed for ground connection. Use the Wire Nuts (D) provided to connect the white fixture wire to the neutral supply wire and the black fixture wire to the hot supply wire.

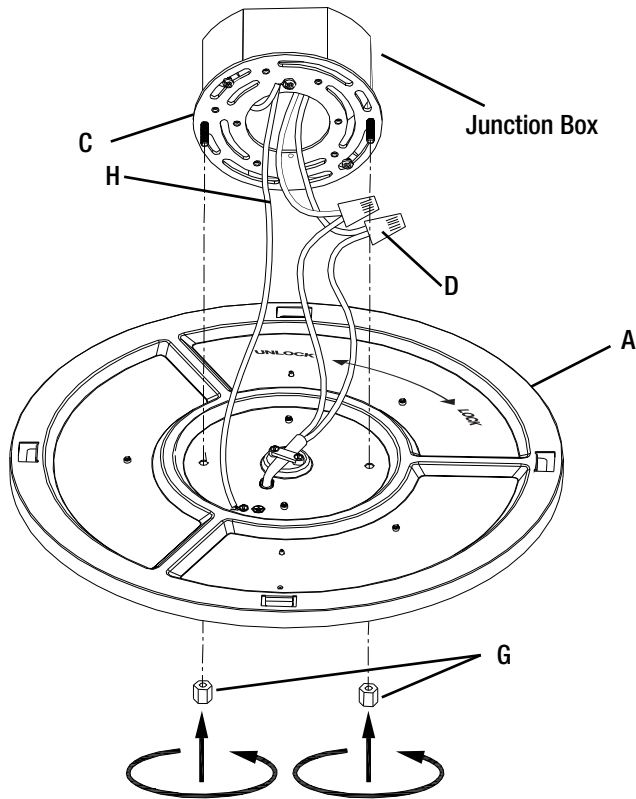


5 Install the Fixture Backplate

Tuck the wires into the junction box and then lift the Fixture Backplate (A) over the Fixture Mounting Screws (E) through the fixture backplate holes. Secure the fixture backplate by hand tightening the Fixture Mounting Nuts (G) to the ends of the fixture mounting screws.

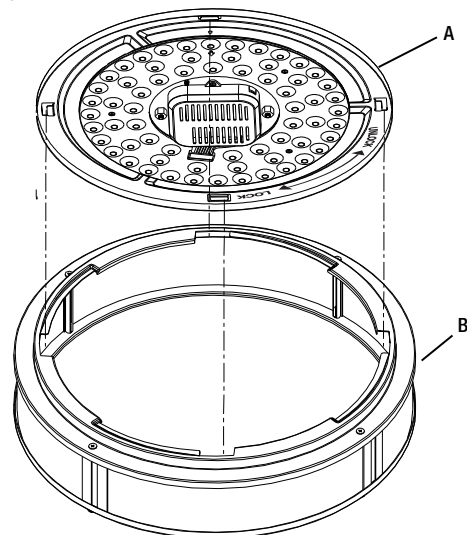


NOTE: Hand tighten Fixture Mounting Nuts only. Do not use any tools as overtightening may occur causing damage to the Fixture Backplate.

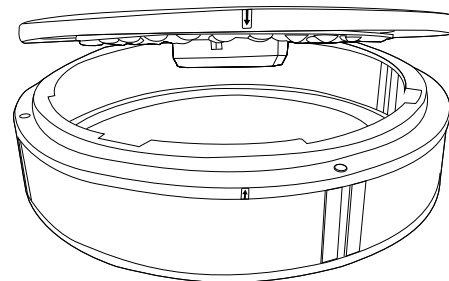


7 Attach Glass Lens to Fixture Backplate

After the Fixture Backplate (A) has been securely mounted to the junction box, carefully raise the Glass Lens (B) to the Fixture Backplate (A) inserting into the opening on the Glass Lens (B) trim.

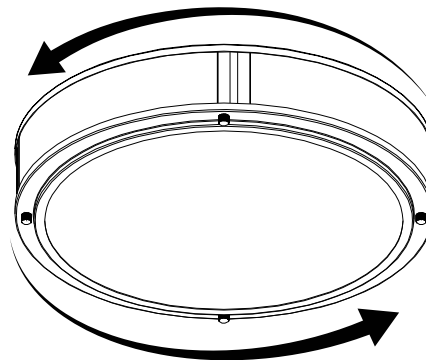


NOTE: When raising the fixture, use the arrows on the sides to align the glass lens to the backplate. Remove the arrow label on the sides after installation.



8 Secure the glass lens to the backplate

Secure the glass to the backplate by twisting and locking the fixture into place by holding the bottom rim of the fixture and gently rotate it clockwise. Reference the Lock/Unlock arrows on the backplate.



Getting Started:

1 Download the Feit Electric app on your smart device.



Feit Electric app



Only supports
2.4GHz Wi-Fi
networks



NOTE: Be sure to connect to a 2.4 Ghz network that covers your installation location.

2 After hardwiring to the power, turn on your Smart Ceiling Fixture.

The Smart Ceiling Fixture must be blinking rapidly to pair. If not already blinking, flip the wall switch On and Off three times. The Ceiling Fixture will blink rapidly to indicate a successful reset and will initiate pairing mode.

3 Turn on Bluetooth and open the Feit Electric app to complete the set up.

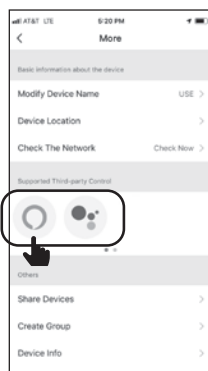
Tap **Add Device** or the + sign. The device name(s) will pop up on the Feit app. Tap on **Go to add**, then select the device to add.

You will be prompted to enter your Wi-Fi network name and password.

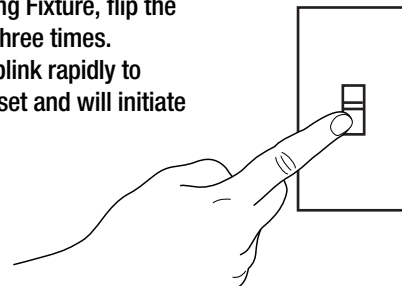


4 (Optional) Connect to Google Assistant or Alexa using the in App guide

Tap the context menu (...) and choose **Alexa** or **Google Assistant**



To reset the Smart Ceiling Fixture, flip the wall switch On and Off three times. The Ceiling Fixture will blink rapidly to indicate a successful reset and will initiate pairing mode.



Troubleshooting

If you are having difficulty connecting:

- Make sure the Wi-Fi network is a 2.4 GHz network. Smart Ceiling Fixture will not connect to a 5 GHz network.
- Test your Wi-Fi network with other devices such as your phone to make sure it is operating properly.
- The Wi-Fi connection may not have good coverage during set up. Try moving the Smart Ceiling Fixture closer to your Wi-Fi router.
- Your Wi-Fi network password is case sensitive, make sure you are entering correctly.

The Smart Ceiling Fixture must be **ON** in order to be controlled via the mobile app. Please also check the App User Guide for more information.

Need Help?

Thank you for your purchase. Questions, comments or feedback? We'd love to hear from you.

Visit feit.com/help for support or connect with us:



@FeitElectric



@FeitElectricInc



feitelectricleighting

