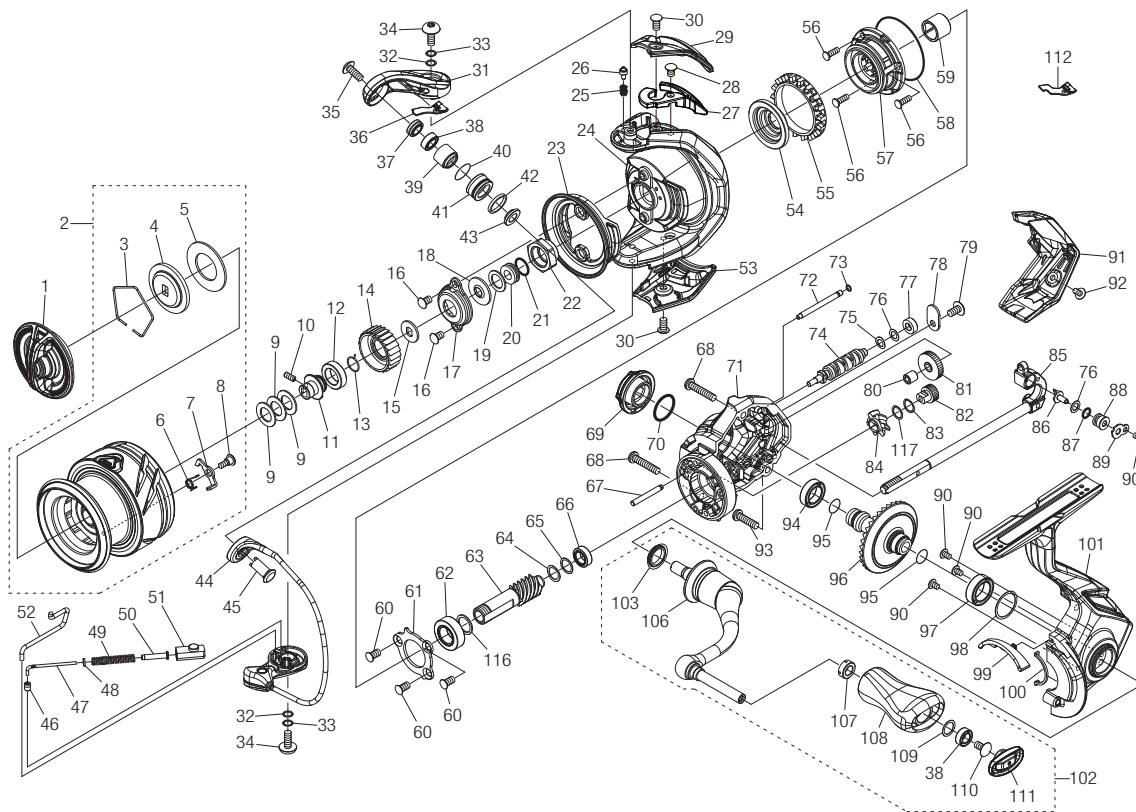


SHIMANO

STRADIC

ST-1000HG



(51SF702B17X)

Please note that the number of adjusting washers may not be the same as shown in the exploded views.
(Adjustment will vary with each individual product.)

#	Part No.	Description	#	Part No.	Description	#	Part No.	Description
1	144R7	Drag Knob Assembly	42	10RFZ	Spacer	83	10TBA	Washer
2	144S8	Spool Assembly	43	10TJM	Bearing Spacer	84	144RY	Idle Gear (Large)
3	10B6L	Retainer	44	143RD	Bail Assembly	85	143RE	Main Shaft Assembly
4	13K0V	Key Washer	45	10TPC	Line Roller Support	86	1018D	Oscillating Pawl
5	142LH	Drag Washer A	46	142QB	Bail Spring Guide A Bush	87	100WX	O Ring
6	10BQF	Drag Click Spring	47	142Q8	Bail Spring Guide A	88	1009L	Oscillating Slider Bushing
7	102H5	Drag Click	48	142Q7	Bail Spring Guide A Collar	89	144RR	Oscillating Pawl Cover
8	10A6F	Screw	49	142Q9	Bail Spring	90	1055H	Screw
9	10BU9	Spool Washer	50	142PV	Bail Spring Guide C	91	144RS	Rear Protector
10	10PN3	Set Screw	51	144RE	Bail Spring Guide B	92	10PRZ	Screw
11	10THY	Spool Bearing Bushing	52	144RF	Bail Trip Lever	93	10L6L	Screw
12	10J3F	Bushing	53	144RG	Bail Hold Support Guard	94	107FA	Ball Bearing
13	107V2	Ratchet Spring	54	101D5	Rotor Ring	95	1009S	O Ring
14	10SYS	Drag Click Ratchet	55	10QXQ	Friction Ring	96	142PT	Drive Gear
15	103PE	Spool Support	56	100WT	Screw	97	10EX6	Ball Bearing
16	103GW	Screw	57	10S2L	Roller Clutch Assembly	98	1022D	Washer
17	1076N	Retainer	58	1009Z	O Ring	99	1017Y	Bail Trip Strike
18	1017W	Bearing Water Proof	59	1009Y	Roller Clutch Inner	100	1009W	Flange Water Proof
19	100RU	Washer	60	100WY	Screw	101	143RJ	Side Cover Assembly
20	10RDL	Main Shaft Collar	61	10DWD	Bearing Retainer	102	144RZ	Handle Assembly
21	10DXE	O Ring	62	10DZB	Ball Bearing	103	10PXV	Handle Shaft Seal
22	1427D	Rotor Nut	63	144RX	Pinion Gear	106	143RL	Handle Shank Assembly
23	144R9	Rotor Brim	64	10SYU	Washer	107	10PXZ	Bushing
24	144RA	Rotor	65	10HE5	Washer	108	14285	Handle Knob
25	13ZAA	Click Spring	66	104JZ	Ball Bearing	109	104FH	Washer
26	106ZC	Click Pin	67	144RJ	Idle Gear Shaft	110	10LFA	Screw
27	144RB	Counter Weight	68	100WP	Screw	111	14286	Handle Knob Seal
28	10PMC	Screw	69	144RK	Handle Screw Cap	116	143G5	Washer
29	144RC	Bail Spring Cover	70	10E3K	O Ring	117	10G6D	Washer
30	10PS2	Screw	71	144RL	Body			
31	144RD	Bail Arm	72	144RM	Oscillating Guide			
32	10K96	Washer	73	100BH	O Ring			
33	10KFA	Washer	74	144RN	Worm Shaft			
34	10P55	Screw	75	10ECK	Washer			
35	10K90	Screw	76	10K9C	Washer			
36	13ZA9	Bail Arm Fin	77	1009C	Bushing			
37	10E44	Collar	78	10S7C	Worm Shaft Retainer			
38	104VX	Ball Bearing	79	10QG5	Screw			
39	1009K	Bushing	80	144RP	Bushing			
40	1009E	O Ring	81	10DK0	Idle Gear			
41	1009A	Line Roller	82	10DK2	Idle Gear (Small)	112	13ZAB	Bail Arm Fin (accessory)