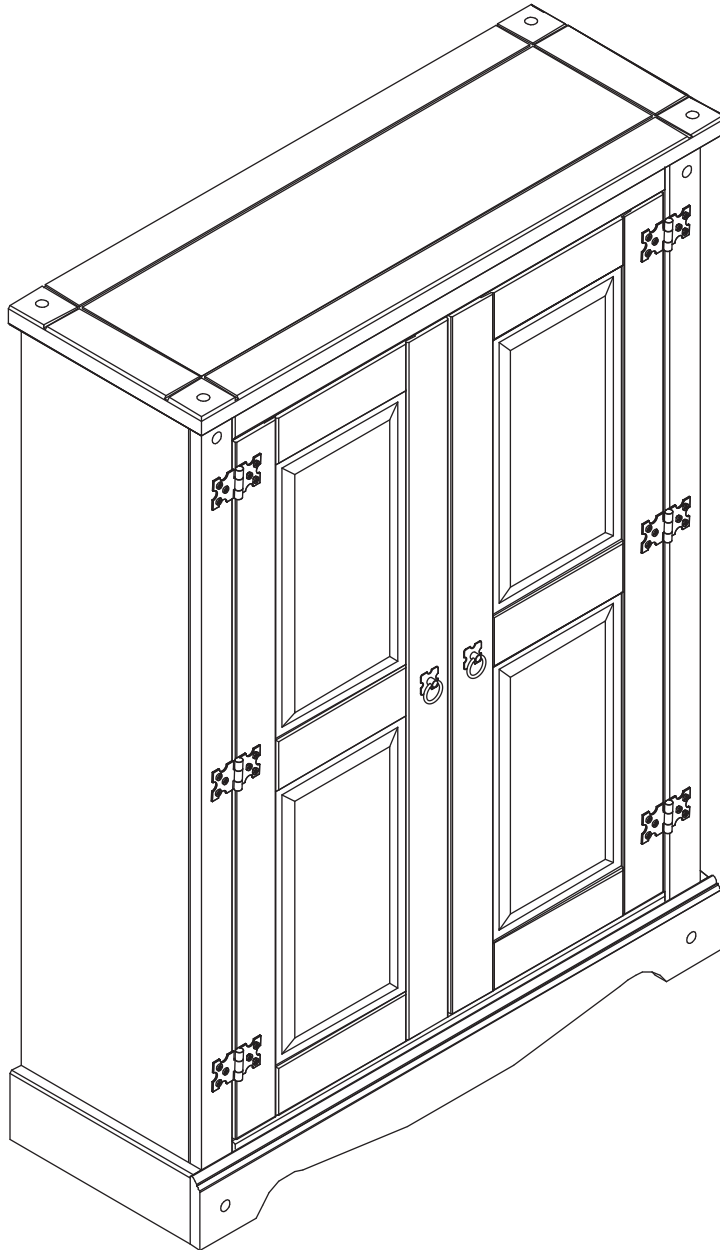



2-DOOR ACCENT CUPBOARD AGR-362

Carefully review assembly and care instructions before using this product. Save this document for future reference.
Assemble components on a soft, clean surface to avoid scratching or damaging the finish.

Inspect packaging to ensure all parts are accounted for before disposing of packing materials.
 Save the packing slip.



2-PERSON
ASSEMBLY
RECOMMENDED

**SCAN THIS CODE
WITH YOUR
SMARTPHONE
TO VIEW OUR
ASSEMBLY VIDEO**



HELPFUL HINTS

Sunnydaze Decor advises reviewing this manual fully, and assembling the unit soon after purchase. Check that all parts are accounted for and familiarize yourself with the assembly before beginning.

SAVE THIS MANUAL FOR FUTURE REFERENCE.

INTRODUCTION

Read the manual carefully to ensure you fully understand all use, care, assembly, and safety information.



Read this manual carefully and follow the assembly instructions in the order listed. Pay close attention to assembly drawings.



Regularly clean with a clean microfiber cloth to prevent dust accumulation.



Do not paint the unit.
Do not use abrasive materials or cleaners to clean the furniture.



Indoor use only.
Do not expose the furniture to heat or humidity.



When cleaning nearby the furniture, do not allow contact with water or cleaners as it may deteriorate the furniture.



Do not allow metal components to come in contact with water or cleaners as it may cause rust and staining.



Assemble on a soft, flat, clean, and dry surface.

Use a soft, protective barrier when assembling the furniture.



TIP: Use the box carton as a protective layer to separate and protect the parts from scratches and other damage during assembly.

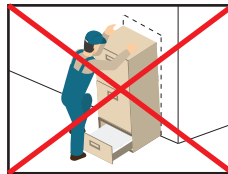


Do not push or drag furniture as doing so may damage the unit.

Only move furniture when it is empty.



Always ask for help when moving furniture.



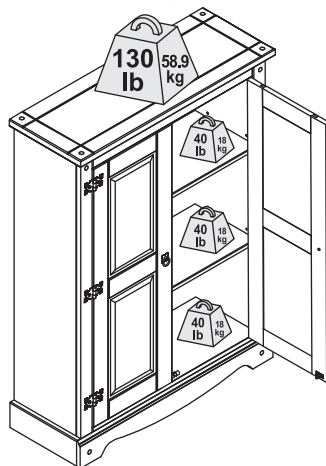
Avoid Accidents - Do not climb, sit or stand on the furniture.

Do not allow children to play on or inside the furniture.



Keep sharp objects away as they may scratch or damage the unit.

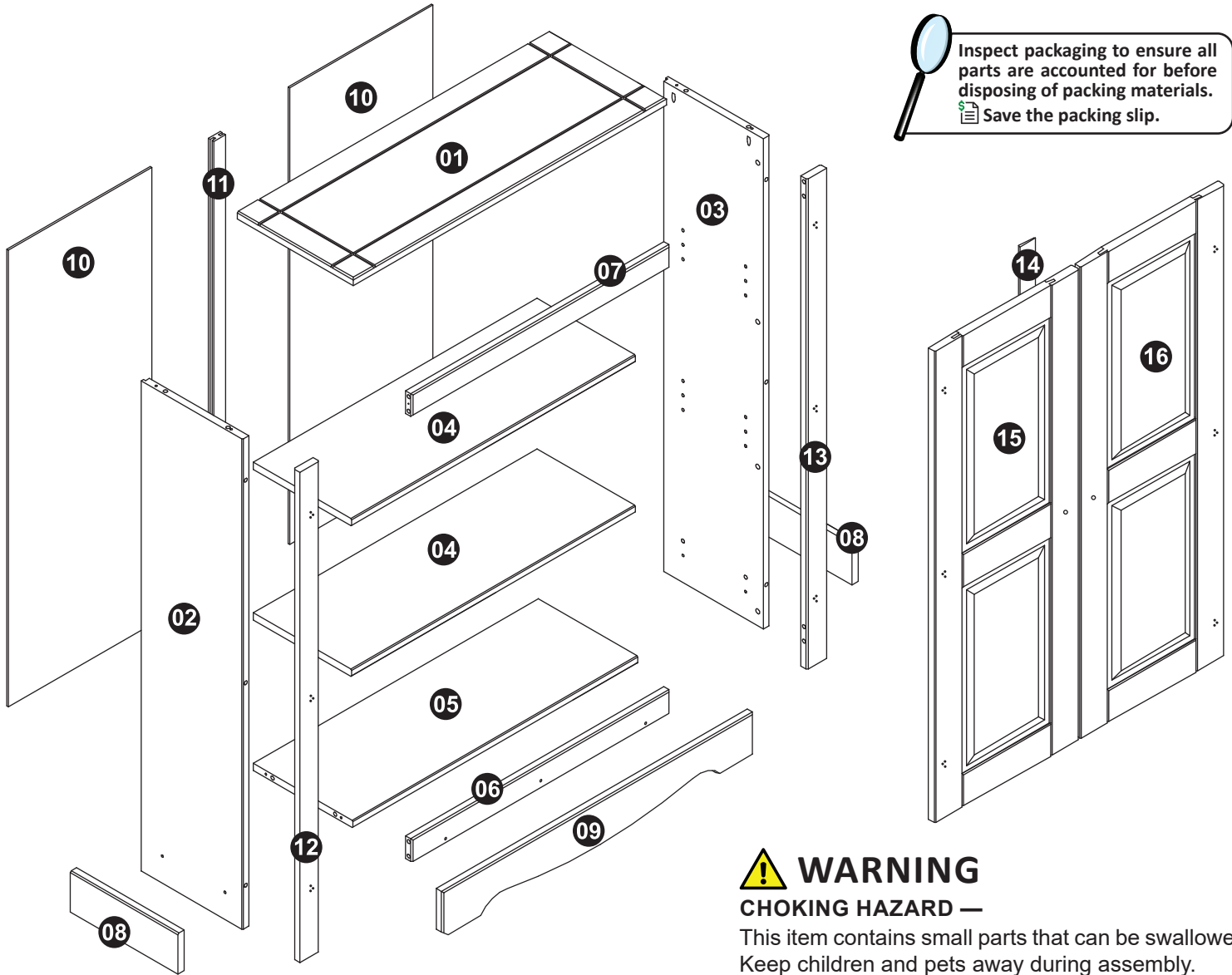
Do not use the furniture as a writing surface without a padded barrier.



! NOTICE:

Manufacturer and seller expressly disclaim any and all liability from personal injury, property damage or loss, whether direct or indirect, or incidental, resulting from the incorrect attachment, improper use, inadequate maintenance, or neglect of this product.

COMPONENTS



SEQ.	PART NAME	QTY.
01	Top	1
02	Left Side Panel	1
03	Right Side Panel	1
04	Shelf	2
05	Bottom Panel	1
06	Bottom Frame	1
07	Top Face Frame	1
08	Side Trim Board (L/R)	2
09	Front Trim Board	1
10	Backing Board	2
11	Divider	1
12	Left Stile	1
13	Right Stile	1
14	Vertical Face Frame	1
15	Left Door	1
16	Right Door	1

No.	HARDWARE	QTY.
A	Wood Dowel	22
B	M3.5x25mm Pan Screw	4
C	M4.5x28mm Pan Screw	23
D	Connector	12
E	Tack	8
F	Shelf Pin	8
G	Handle Set	2
H	Strike	2
J	Catch	2
K	Hinge	6
L	M3.5x14mm Pan Screw	49
Y	Wall Anchor Kit	1
Z	8x8mm Nail	26

TOOLS REQUIRED (not included)	
	Phillips Screwdriver
	Regular Screwdriver
	Rubber Mallet
	Hammer
	Power Drill, 6mm Drill Bit, 2mm Drill Bit <i>(only use for wall anchor kit install)</i>

ASSEMBLY

Carefully review all steps and fully understand assembly before beginning.

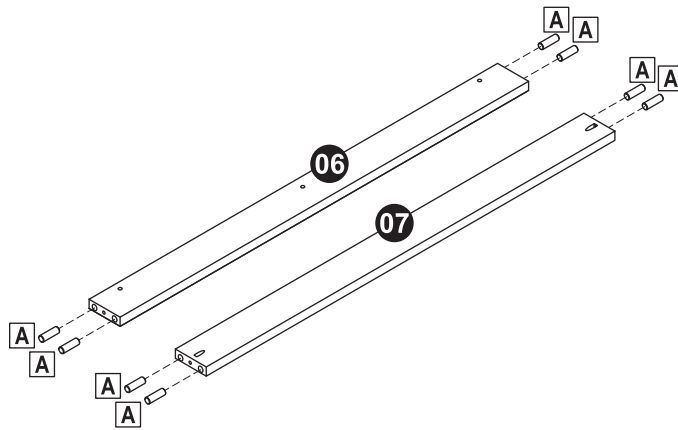
IMPORTANT: Take care not to over-tighten screws as doing so may crack the wood or strip the screw hole, causing a weak connection and reduced stability.

STEP 1

06: 1

07: 1

A: 8



Install four Wood Dowels (A) into Bottom Frame (06) and Top Face Frame (07).

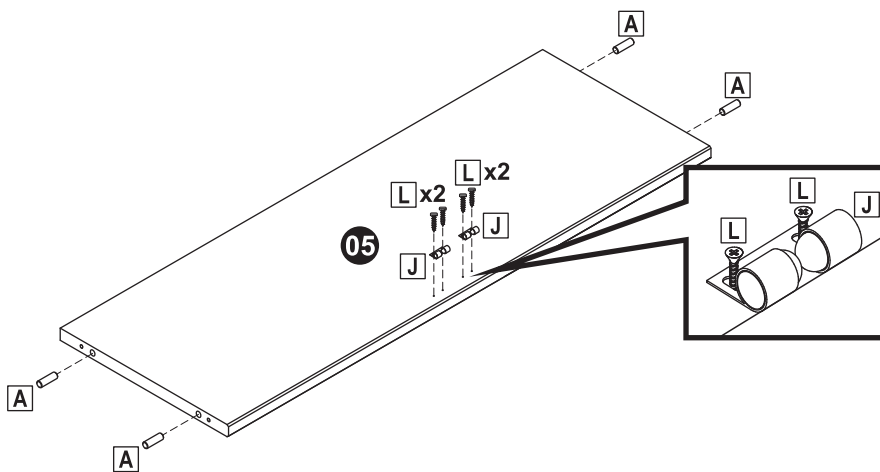
STEP 2

05: 1

A: 4

J: 2

L: 4



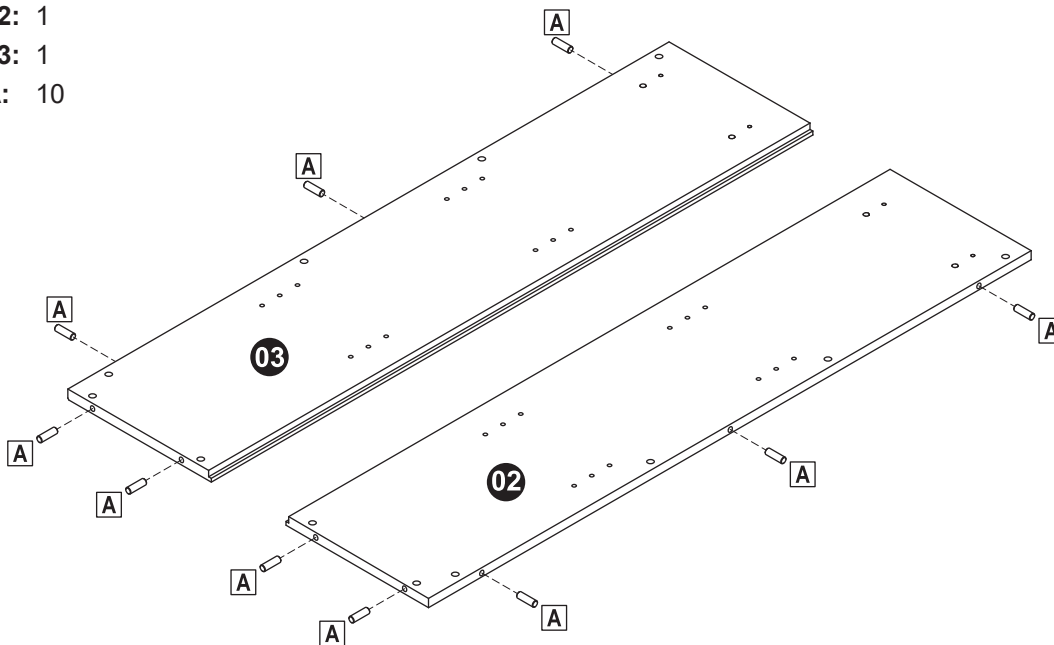
Install four Wood Dowels (A) into Bottom Panel (05). Align two Catches (L) with the indents on the top, front side of the bottom panel. Secure each catch using two M3.5x14mm Pan Screws (L).

STEP 3

02: 1

03: 1

A: 10

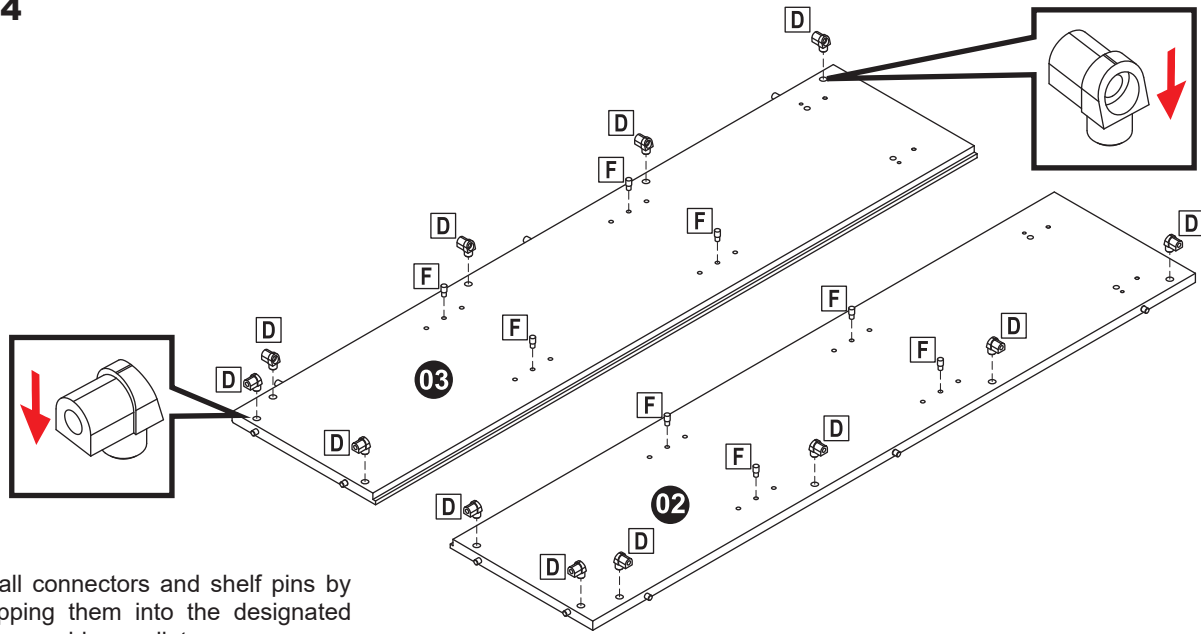


Install five Wood Dowels (A) into Left Side Panel (02) and Right Side Panel (03).

STEP 4

D: 12

F: 8



TIP: Install connectors and shelf pins by gently tapping them into the designated holes using a rubber mallet.

With the angled edges facing the inside of the panel, install six Connectors (D) into Left Side Panel (02) and Right Side Panel (03). Install four Shelf Pins (F) into each side panel as shown in the diagrams.

STEP 5

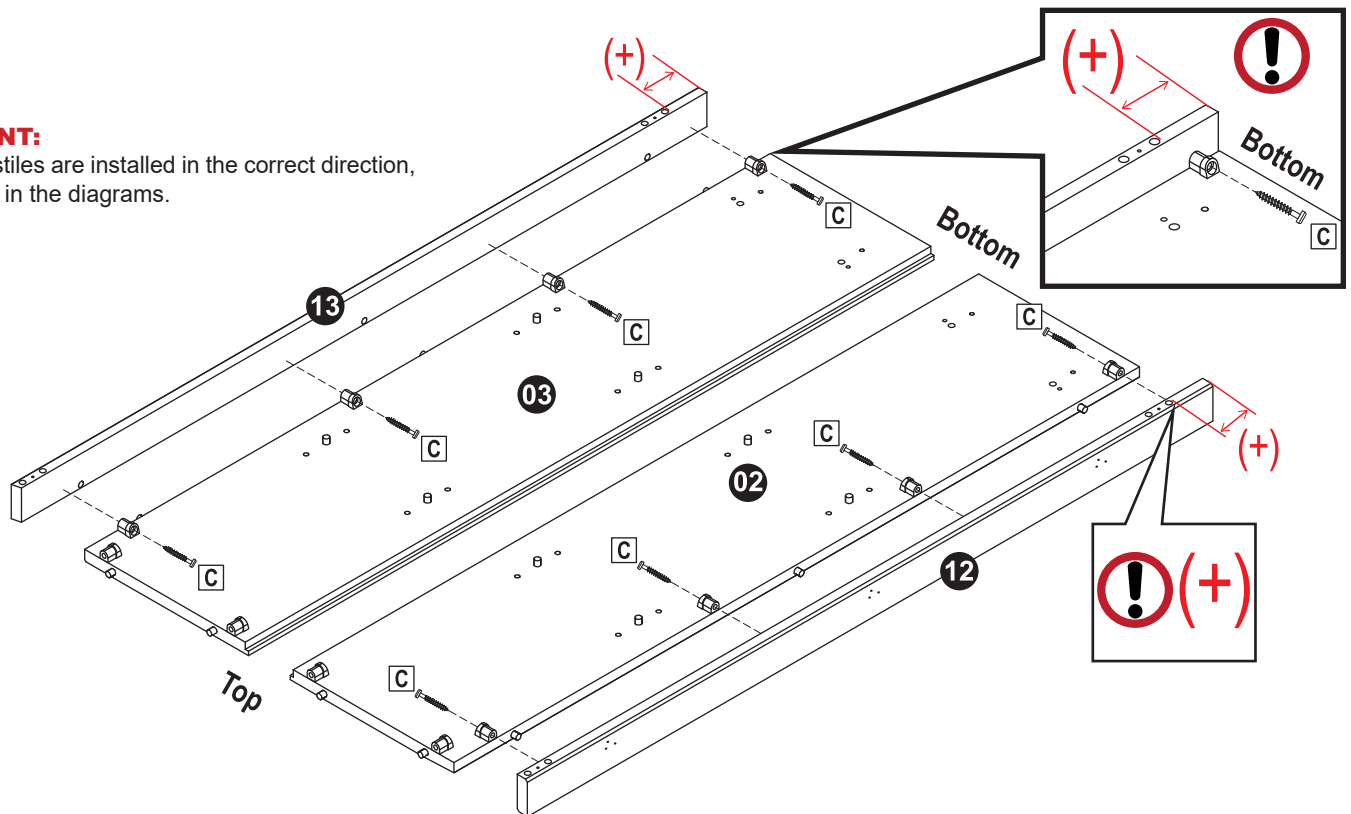
12: 1

13: 1

C: 8

IMPORTANT:

Ensure the stiles are installed in the correct direction, as indicated in the diagrams.



NOTE: On the narrow side of the stiles, the 'bottom' has a larger gap between the dowel mounting holes and the end.

NOTE: The 'top' of the side panels have two connectors on the short edge.

Align Left Stile (12) with Left Side Panel (02) and secure using four M4.5x28mm Pan Screws (C).

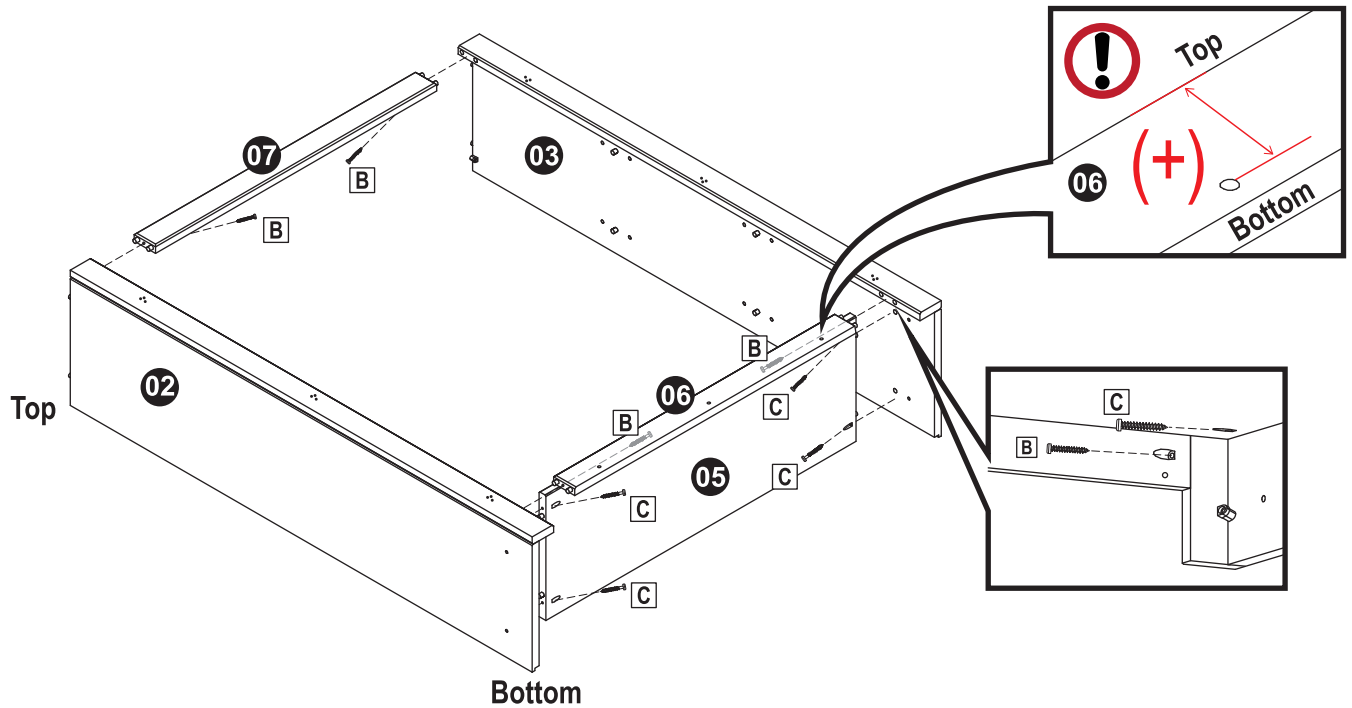
Align Right Stile (13) with Right Side Panel (03) and secure using four M4.5x28mm Pan Screws (C).

STEP 6

B: 4

C: 4

IMPORTANT: Ensure Bottom Frame (06) is installed in the correct direction, as indicated by the diagram.



Lay Left Side Panel (02) on a smooth, clean surface. Ensuring the catches face the top of the cabinet, align Bottom Panel (05) just above the bottom connector of the side panel and secure using two M4.5x28mm Pan Screws (C).

On Bottom Frame (06), identify the gap sizes between the pre-drilled round holes and the edges of the panel. Ensuring the larger gap is facing the top of the cabinet, align Bottom Frame (06) with the mounting holes on the bottom of the stile. Then, align Top Face Frame (07) with the top of the stile. Secure each frame using one M3.5x25mm Pan Screw (B).

Align Right Side Panel (03) with the opposite side of the unit. Secure the bottom panel using two M4.5x28mm Pan Screws (C), and secure each frame using M3.5x25mm Pan Screws (B).

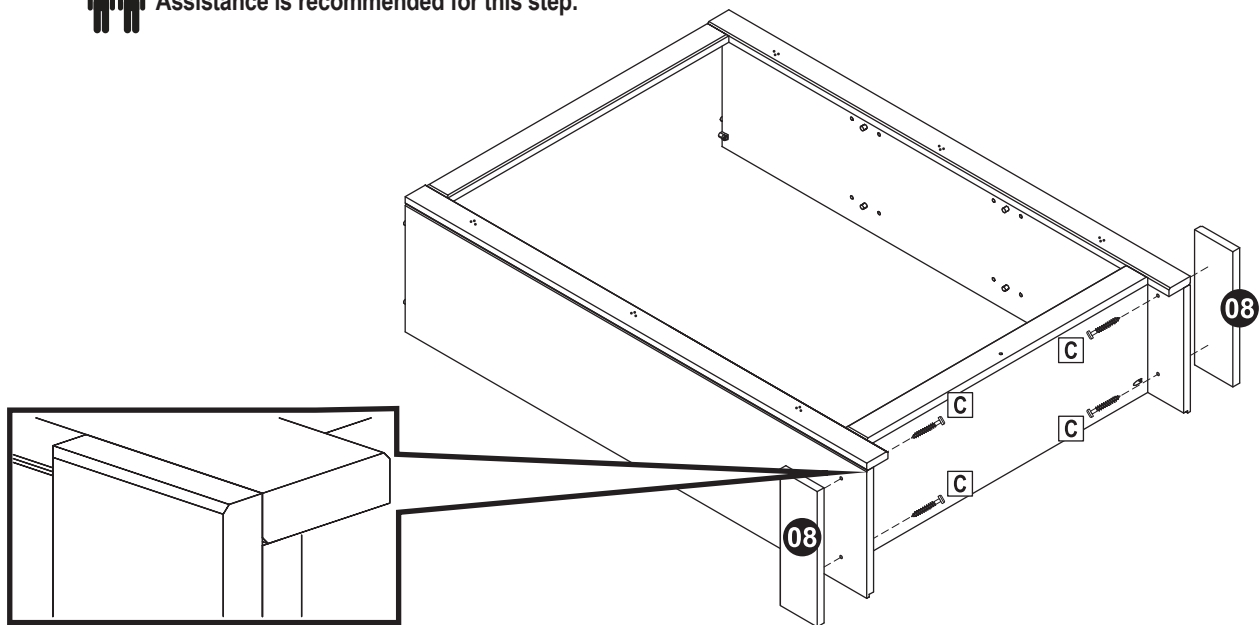
STEP 7

B: 2

C: 4



Assistance is recommended for this step.



NOTE: Have an assistant firmly hold the trim boards in place to ensure they remain flush with the unit while hardware is secured.

Align two Side Trim Boards (08) with the bottom of the unit, as shown. From the inside of the side panels, secure each trim board using two M4.5x28mm Pan Screws (C).

STEP 8

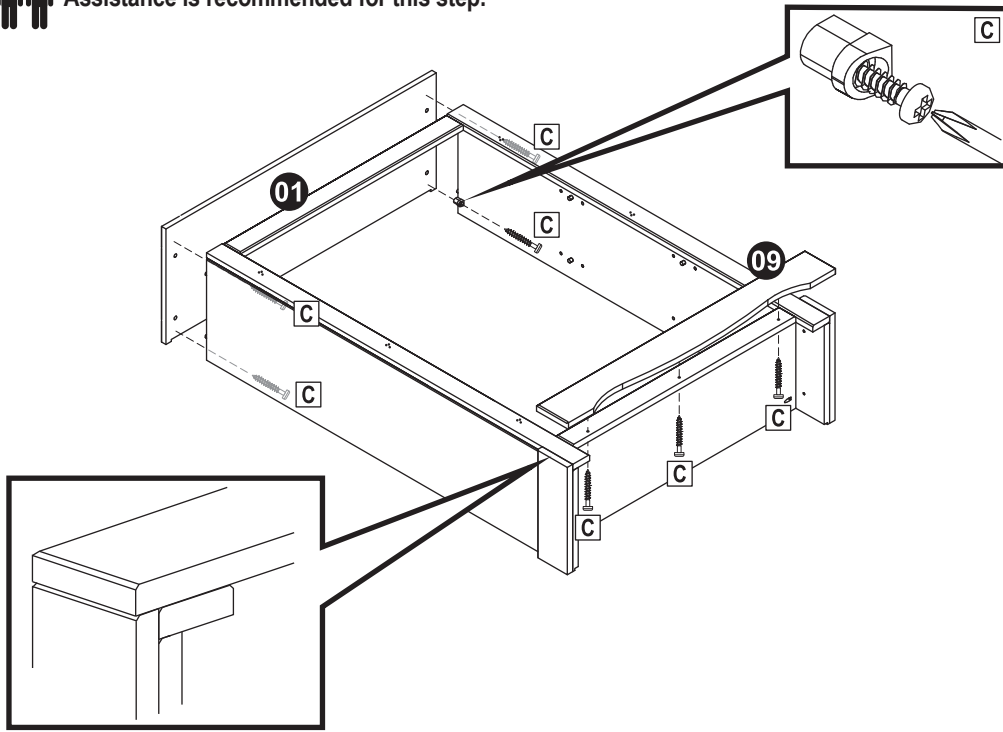
01: 1

09: 1

C: 7



Assistance is recommended for this step.



Align Front Trim Board (09) with the bottom, front side of the unit. Have an assistant hold the trim board tightly to ensure it remains flush with the unit while it is secured. From the backside of the bottom frame, secure the trim board using three M4.5x28mm Pan Screws (C).

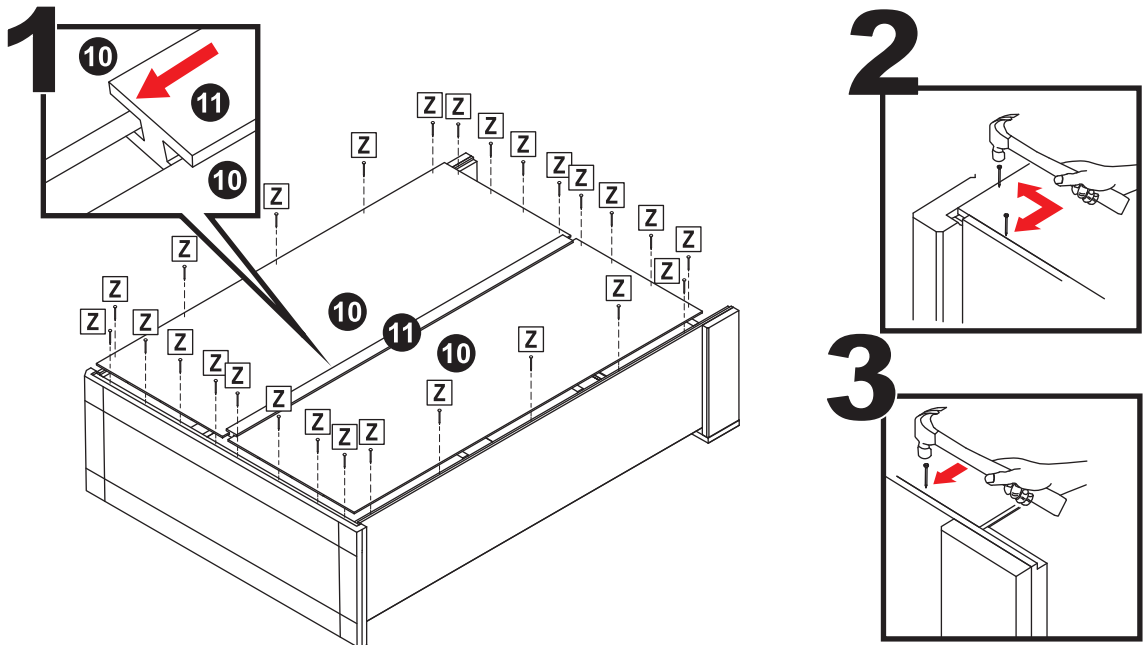
Place Top (01) on a soft, clean surface. Align the cabinet with the top and secure using four M4.5x28mm Pan Screws (C).

STEP 9

10: 2

11: 1

Z: 26



Gently lay the unit face-down on a soft, clean surface.

Place two Backing Boards (10) on the back of the unit and slide Divider (11) between them.

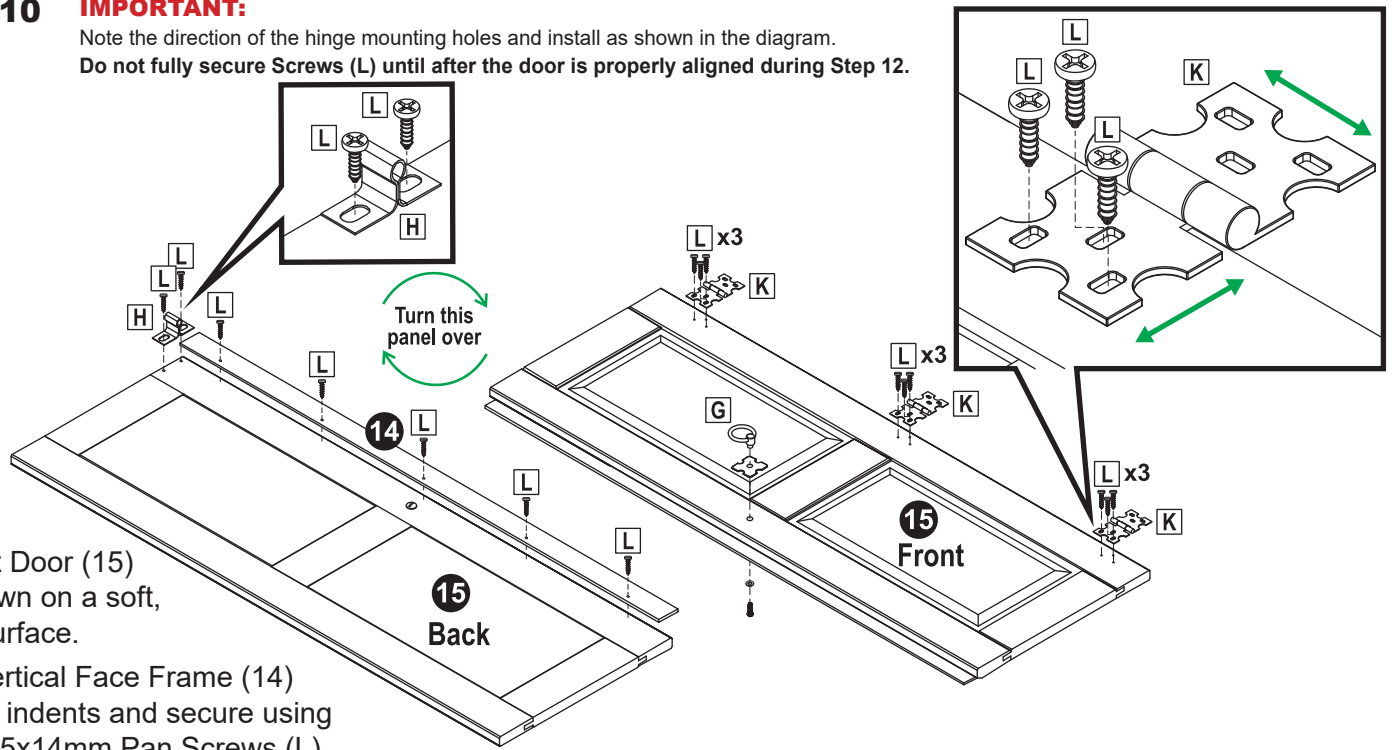
Ensure the backing boards are snug within the lips of the top and side panels. Then, secure the backing board using twenty-six 8x8mm Nails (Z).

STEP 10

IMPORTANT:

Note the direction of the hinge mounting holes and install as shown in the diagram.
Do not fully secure Screws (L) until after the door is properly aligned during Step 12.

- 14: 1
- 15: 1
- G: 1
- H: 1
- K: 3
- L: 16



Lay Left Door (15) face-down on a soft, clean surface.

Align Vertical Face Frame (14) with the indents and secure using five M3.5x14mm Pan Screws (L).

Align Strike (H) with the indents on the bottom of the door and secure using two M3.5x14mm Pan Screws (L).
Flip the door over.

Ensuring the handle plate and ring remain straight, firmly secure Handle Set (G), as shown.

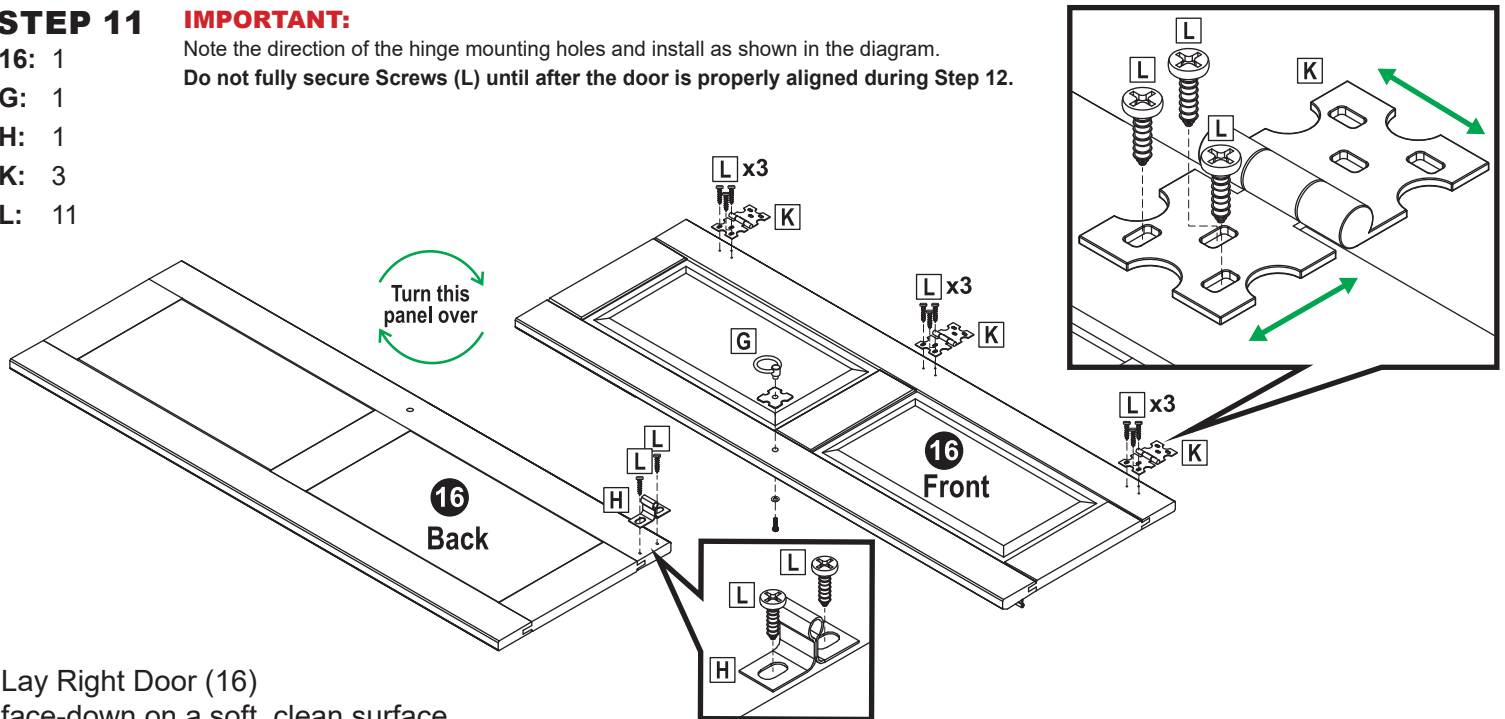
Align three Hinges (K) with the indents on the front of the door and mostly fasten using nine M3.5x14mm Pan Screws (L).

STEP 11

IMPORTANT:

Note the direction of the hinge mounting holes and install as shown in the diagram.
Do not fully secure Screws (L) until after the door is properly aligned during Step 12.

- 16: 1
- G: 1
- H: 1
- K: 3
- L: 11



Lay Right Door (16) face-down on a soft, clean surface.

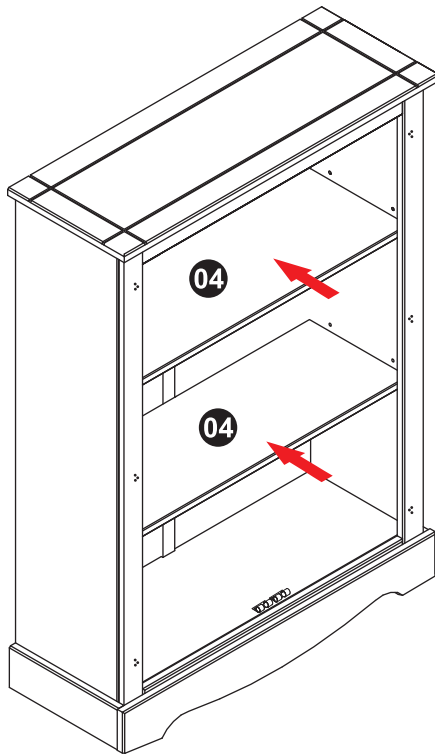
Align Strike (H) with the indents on the bottom of the door and secure using two M3.5x14mm Pan Screws (L).
Flip the door over.

Ensuring the handle plate and ring remain straight, firmly secure Handle Set (G), as shown.

Align three Hinges (K) with the indents on the front of the door and mostly fasten using nine M3.5x14mm Pan Screws (L).

STEP 12

4: 2



TIP: Hold the shelf at an angle to fit it between the stiles.

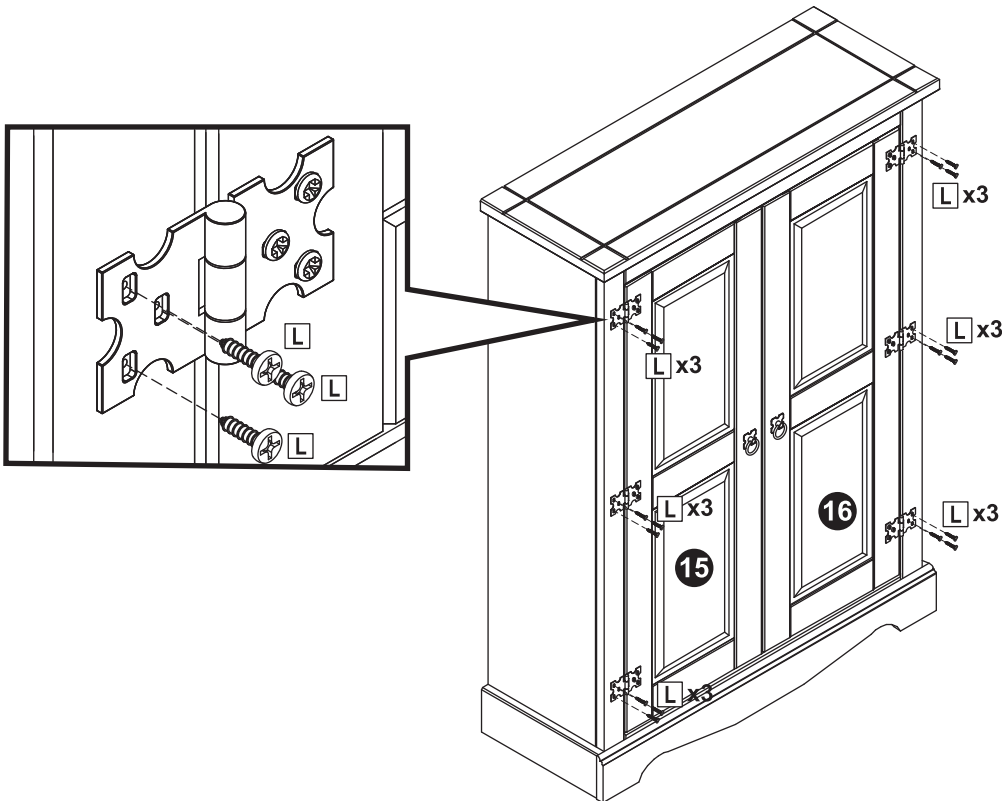
Ensuring the finished edge faces the front of the cabinet, place two Shelves (04) on the shelf pins.

STEP 13

L: 18

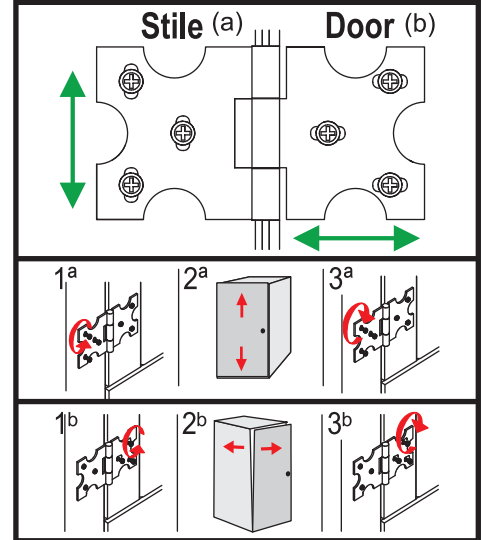


Assistance is recommended for this step.



IMPORTANT: Ensure the doors are properly aligned before fully securing any screws.

ADJUSTING HINGE



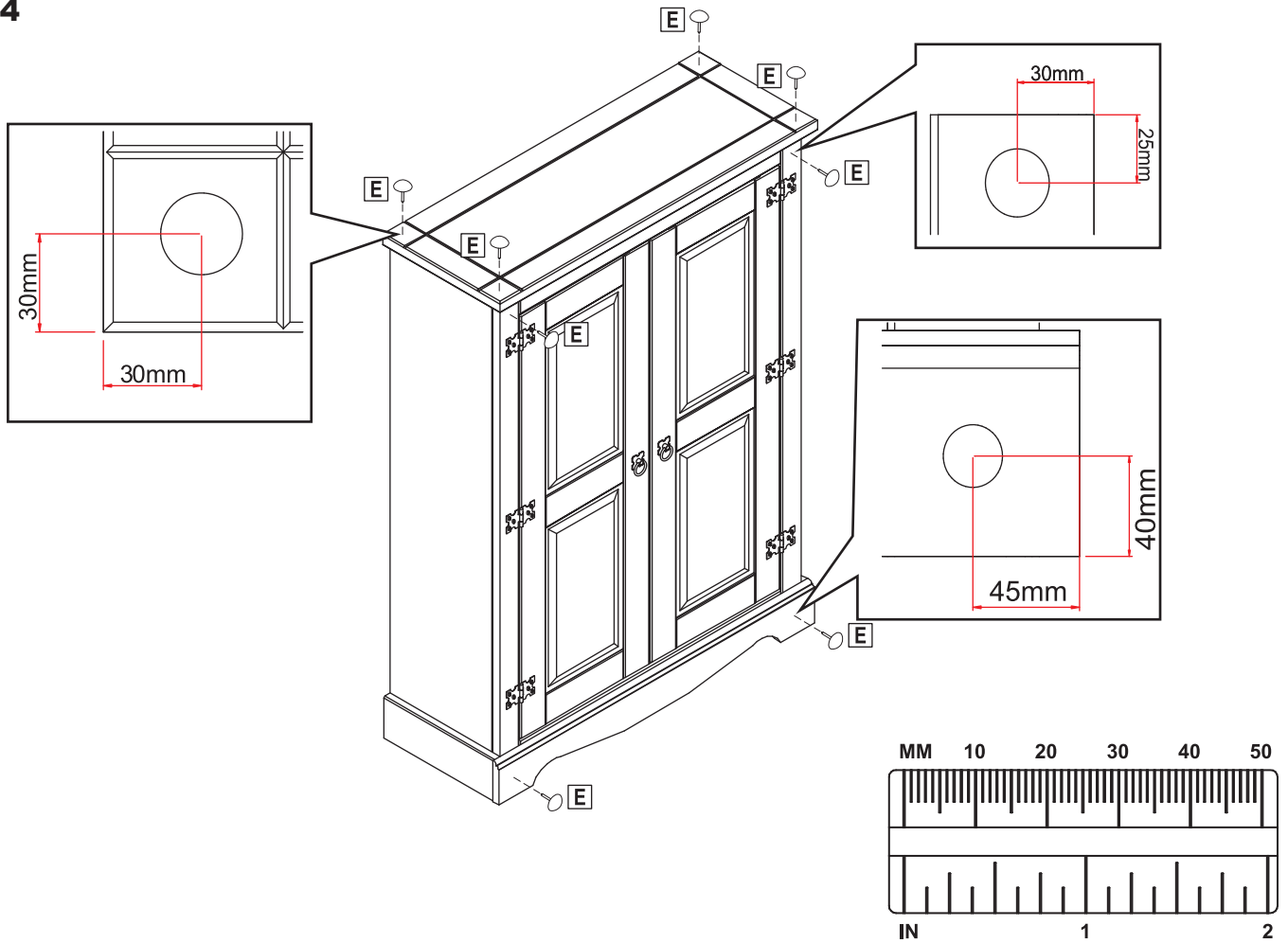
With assistance to hold the door in place, align the hinges of Left Door (15) with the indents on the left stile. Loosely secure each hinge using three M3.5x14mm Pan Screws (L).

Repeat this step to attach Right Door (16) to the right stile.

After ensuring the doors are properly aligned, fully tighten all screws.

STEP 14

E: 8



For even spacing, carefully measure and install eight Tacks (E) as indicated above.

●●●●● HELPFUL MEASURING HACK ●●●●●

To help ensure tacks are evenly spaced, we developed a hack to make this step easier. Grab a blank white piece of paper or tracing paper, a writing utensil, a ruler and scissors.

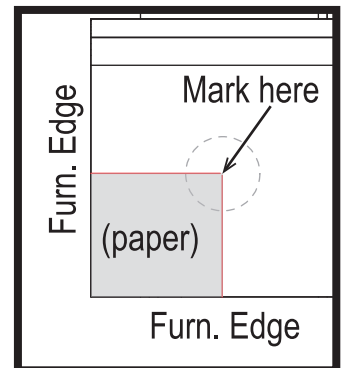
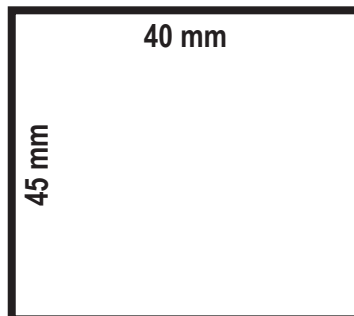
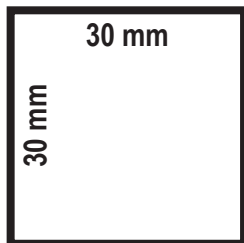
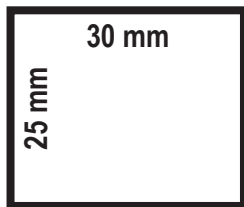
The blocks below are sized to the dimensions noted in the above diagrams.

Place the blank piece of paper over the blocks below. Use a writing utensil to mark the corner of each block. Use a ruler to connect the dots of each block. Write the size inside the block and cut them out.

Align the cutout with the designated corner (shown above).

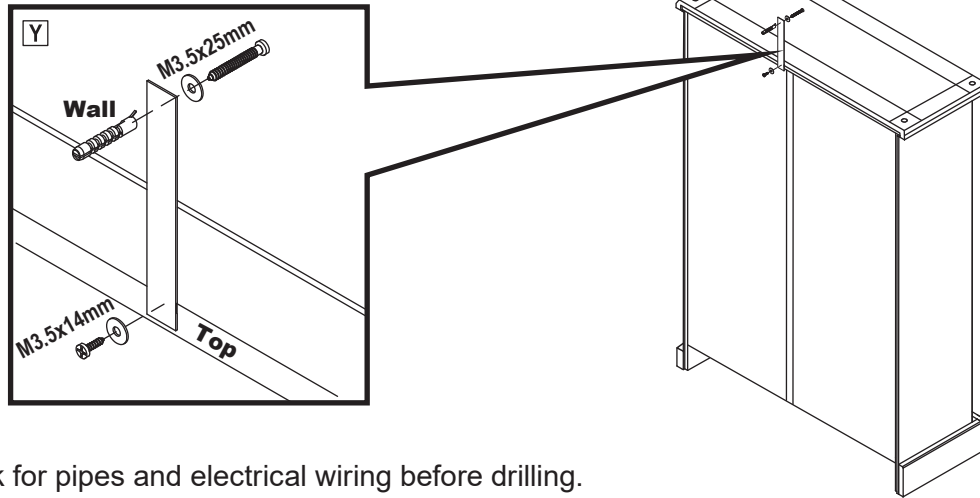
Use the sharp end of one of the tacks to make a small indent at inside corner of cutout.

After tack placement has been marked, install tacks using a rubber mallet.



STEP 15

Y: 1



WARNING: Check for pipes and electrical wiring before drilling.

IMPORTANT: If walls are not solid like brick, stone or concrete, you will require special fittings (not included). When in doubt, consult a professional.

Carefully measure the location of pilot hole before drilling and installing the unit.

- Place wall mounting strap against the wall and mark the position for drilling the hole.
- Using a power drill with a 6mm bit, drill a hole to 30mm depth. If the wall is softer, using a 5mm bit is recommended.
- Insert the wall anchor into the hole until the opening is flush with the wall.
- Secure the strap to the wall using the 25mm screw and washer.
- Use a 2mm drill bit to pre-drill a small pilot hole on the back of the furniture top. Secure the other end of the strap to the furniture using the 14mm screw and washer.

! SAFETY STATEMENTS & WARNINGS !

- Residential use only. Not for commercial or industrial use.
- For indoor use only.
- Ensure fittings are tight before use. Periodically check fitting to ensure they are tight.
- Only use this unit on a flat, level surface.
- Do not sit, stand or climb on the unit.
- Supervise children; never allow children to climb on, sit on, or play in this unit as it may tip over and cause serious injury.
- Do not place liquids or hot items directly on the furniture.
- Never use chemical cleaning products or polishes as they may damage the finish.
- Do not exceed the weight capacity of the furniture.
- Do not overload the shelves as doing so may cause them to sag.
- Do not place the unit in direct sunlight.
- Avoid placing unit near heating or cooling vents as forced air is very drying and can damage the unit.
- Do not write on furniture without a padded barrier to protect the surface.

Any modification to the product or failure to follow recommended care will void the product warranty.

If you experience issues with assembly or the product was damaged during shipping, please contact our customer service team directly through one of the methods mentioned at the top of page 1.

Please have the item number and order information ready to expedite response time.

! NOTICE:

Manufacturer and seller expressly disclaim any and all liability from personal injury, property damage or loss, whether direct or indirect, or incidental, resulting from the incorrect attachment, improper use, inadequate maintenance, or neglect of this product.