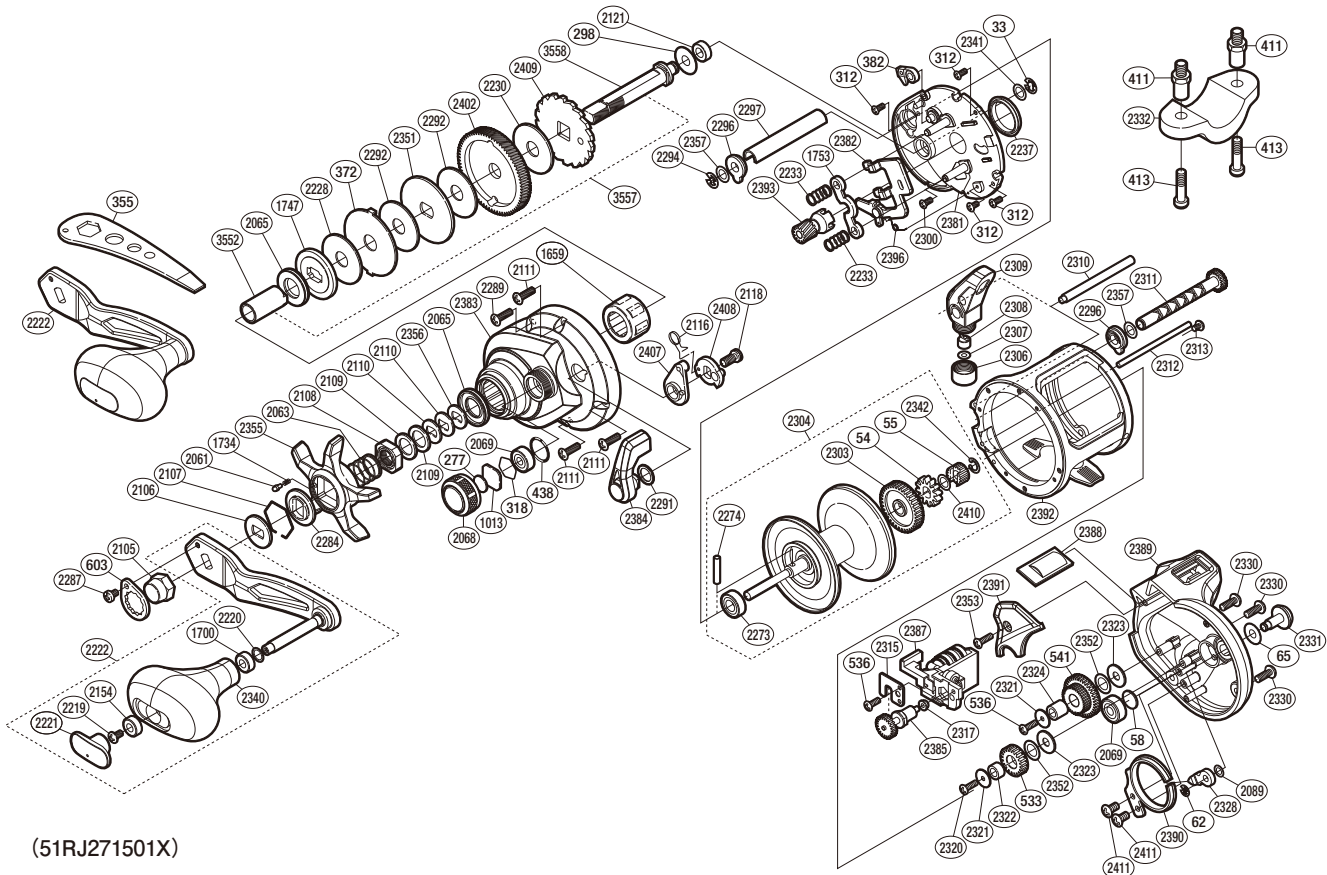


# SHIMANO

## TEKOTA

## TEK501HGLCA



(51RJ271501X)

#	Part No.	Description	#	Part No.	Description	#	Part No.	Description
33	105NG	E Lock	2154	10EU0	Handle Knob Bushing A	2331	100GQ	Click Button
54	104EX	Click Gear	2219	10LFA	Screw	2340	10T8A	Handle Knob Assembly
55	10J7E	Idle Gear A	2220	10HEP	Washer	2341	10T89	Washer
58	10GEU	Spacer B	2221	101B8	Handle Knob Seal	2342	10KHN	Idle Gear Retainer
62	105NK	E Lock	2222	10DHY	Handle Assembly	2351	101KH	Key Washer C
65	104H2	Spacer A	2228	101BA	Drag Washer D	2352	10AG4	Washer
277	10896	Cast Control Spacer	2230	1025A	Drag Washer A	2353	103C5	Screw
298	10588	Washer	2233	101MH	Yoke Spring	2355	10176	Star Drag
312	10MPP	Screw	2237	101B3	Frame Center Seal	2356	109F5	Washer
318	10GGM	Bearing Retainer	2273	108PE	Ball Bearing	2357	101V7	Washer
372	10KQH	Eared Washer E	2274	10MGR	Spool Clutch Pin	2381	10RXZ	Left Side Plate Set Assembly
382	10MW8	Anti-Reverse Pawl	2284	10J26	Star Drag Click Plate	2382	10ECS	Clutch Plate Assembly
438	108WK	O Ring	2287	10LLU	Screw	2383	10ECH	Left Side Plate Assembly
533	10NXF	Idle Gear B	2289	10L6A	Screw	2384	10ECJ	Clutch Lever Unit
536	103BY	Screw	2291	10272	Smoother	2385	10S0R	Counter Gear Assembly
541	10NXX	Idle Gear D	2292	1025L	Drag Washer B	2387	1000U	Counter Unit Assembly
603	10LMC	Handle Nut Plate	2294	10KHG	E Lock	2388	1000T	Counter Lens Assembly
1013	1085F	Spool Tension Spacer	2296	100GP	Worm Bushing A	2389	10SBZ	Right Side Plate
1659	10F37	Roller Clutch Bearing	2297	100H4	Level Wind Guard	2390	10SBP	Click Spring
1700	104UJ	Handle Knob Bushing	2300	10MT5	Screw	2391	10SBR	Right Side Plate Seal
1734	10BT2	Click Spring	2303	100H9	Counter Gear A	2392	10SC1	Frame
1747	10D56	Pressure Plate	2304	10T86	Spool Assembly	2393	100ZH	Pinion Gear
1753	10484	Yoke	2306	100GB	Pawl Cap	2396	10DSN	Clutch Pawl Spring
2061	10MFC	Click Pin B	2307	10TAT	Washer	2402	100ZF	Drive Gear
2063	10A70	Star Drag Spring	2308	10BHQ	Line Guide Pawl	2407	10L2C	Eccentric Cam Bushing
2065	10C69	Roller Clutch Water Proof	2309	100GM	Line Guide Pawl Holder Assembly	2408	10874	Clutch Cam Assembly
2068	10JWV	Cast Control Cap	2310	100GN	Stabilizer Bar A	2409	10A2W	Anti-Reverse Ratchet
2069	10KAF	Ball Bearing	2311	10T83	Worm Shaft Unit	2410	10S0Q	Washer
2089	10GHP	Washer	2312	10T85	Stabilizer Bar B	2411	10LFM	Screw
2105	10R3C	Handle Nut	2313	10MPD	Screw	3552	10DH4	Roller Clutch Inner Tube
2106	107QN	Drive Shaft Shield	2315	100H8	Counter Frame Plate	3557	10RV8	Drive Shaft Inner Tube Set
2107	10KXW	Click Plate Retainer	2317	10CYA	Bushing	3558	10DH5	Drive Shaft
2108	10R3H	Star Drag Nut	2320	10LCP	Screw			
2109	10J1P	Star Drag Spacer	2321	10DT6	Idle Gear B Spacer B	411	1046R	Rod Clamp Nut (Accessory)
2110	109LA	Coned Disc Spring 8h	2322	101JJ	Idle Gear B Support	413	10A7C	Rod Clamp Bolt (Accessory)
2111	10L6L	Screw	2323	101JK	Idle Gear B Spacer A	2332	10EUN	Rod Clamp (Accessory)
2116	10R00	Clutch Spring	2324	1026K	Idle Gear D Support			
2118	10MFB	Screw	2328	10T84	Click Pawl			
2121	10MAT	Drive Shaft Bushing	2330	10L6D	Screw			
						355	13X98	Wrench (Accessory)

Please note that the number of adjusting washers may not be the same as shown in the exploded views.  
(Adjustment will vary with each individual product.)

(230713)\_010