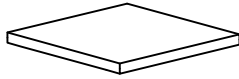


ASSEMBLY INSTRUCTION

END TABLE

A Table Top



1 PC

B Leg



4 PCS

C Rail



1 PC

D Bolt
1/4"*5/8"



8 PCS

E Bolt
1/4"*3/4"



8 PCS

F Spring Washer
1/4"



8 PCS

G Flat Washer
1/4"

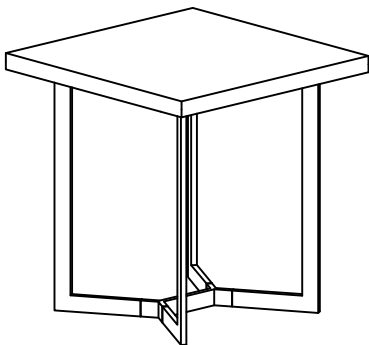


8 PCS

H Allen Key
M4

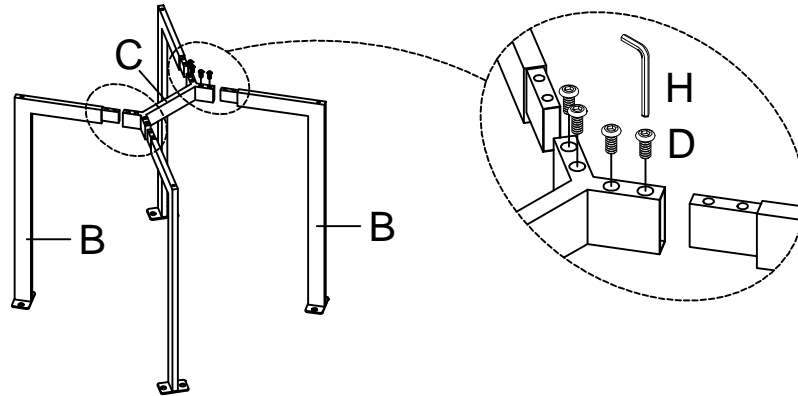


1 PC

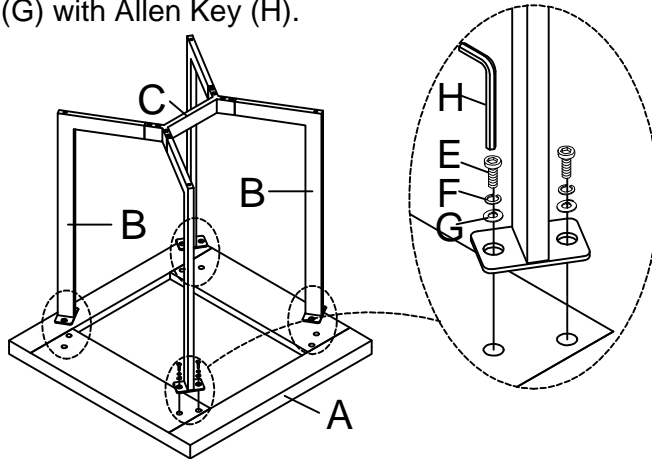


This page lists all the contents included in the box. Please take the time to identify the hardware as well as the individual components to this product. As you unpack and prepare for assembly, place the contents on a carpeted or padded area to protect them from damage.

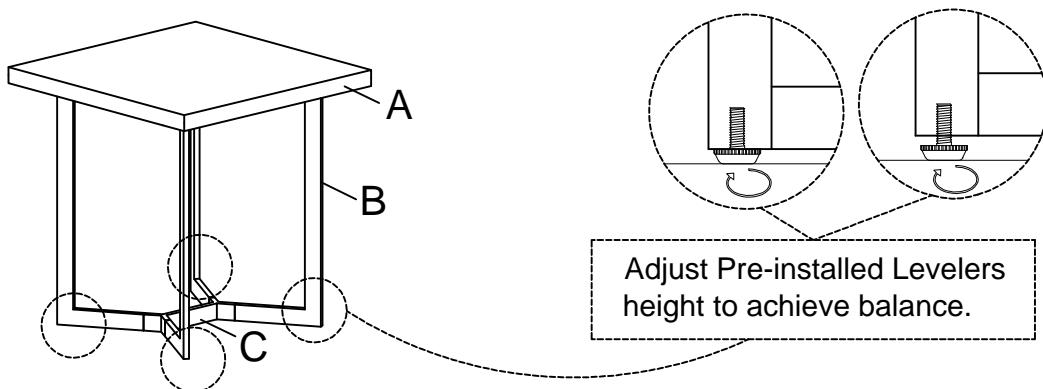
- 1** Attach Rail (C) to Leg (B) using Bolt (D) with Allen Key (H).



- 2** Attach Leg (B) and Rail (C) to bottom of Table Top (A) using Bolt (E), Spring Washer (F) and Flat Washer (G) with Allen Key (H).



- 3** With assistance from your adult partners, turn the End Table right way up. Adjust the Pre-installed Levelers on the bottom of Leg (B) until the End Table is level with the ground.


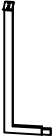








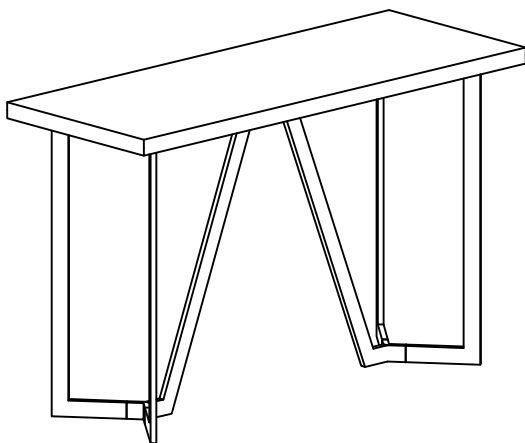
Cleaning & Care

Treat surface with care. Surface is resistant to scratches but is not scratch resistant. Clean surfaces with a dry or damp soft cloth. Do not use abrasive cleaners. Hardware may loosen over time. Periodically check that all connections are tight.

ASSEMBLY INSTRUCTION

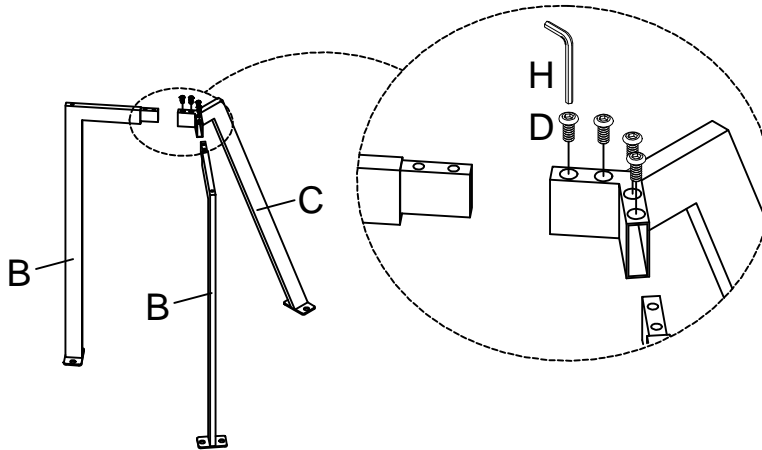
SOFA TABLE

A Table Top  1 PC	B Leg  4 PCS	C Rail  2 PCS
D Bolt 1/4"*5/8"  8 PCS	E Bolt 1/4"*3/4"  12 PCS	F Spring Washer 1/4"  12 PCS
G Flat Washer 1/4"  12 PCS	H Allen Key M4  1 PC	

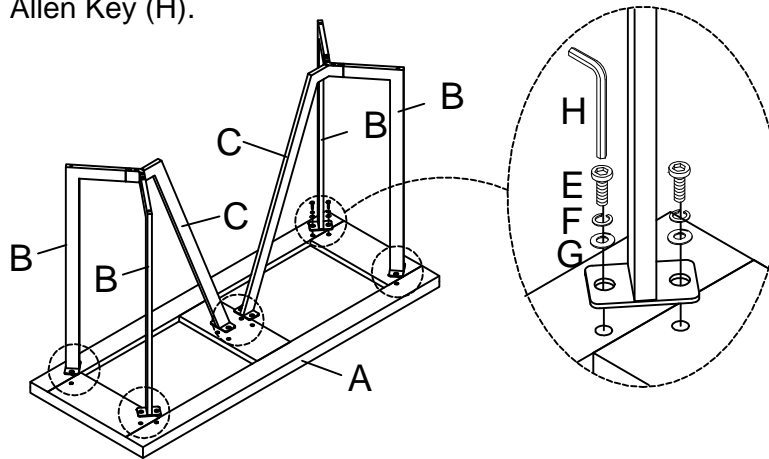


This page lists all the contents included in the box. Please take the time to identify the hardware as well as the individual components to this product. As you unpack and prepare for assembly, place the contents on a carpeted or padded area to protect them from damage.

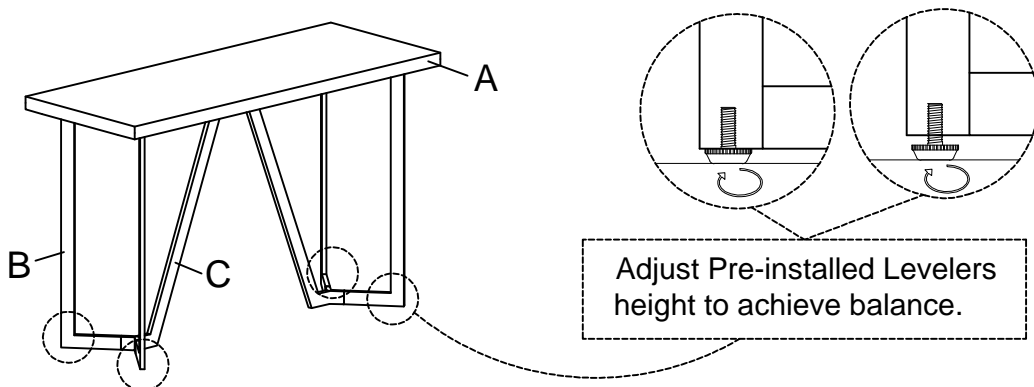
1 Attach Rail (C) to Leg (B) using Bolt (D) with Allen Key (H).



2 Attach Leg (B) and Rail (C) to bottom of Table Top (A) using Bolt (E), Spring Washer (F) and Flat Washer (G) with Allen Key (H).



3 With assistance from your adult partners, turn the Sofa Table right way up. Adjust the Pre-installed Levelers on the bottom of Leg (B) until the Sofa Table is level with the ground.

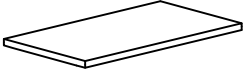
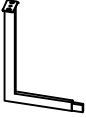


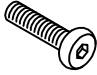


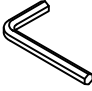


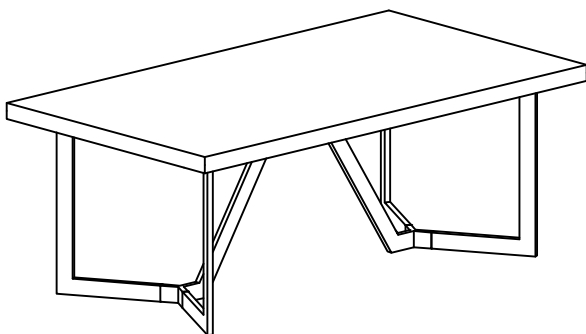
Cleaning & Care

Treat surface with care. Surface is resistant to scratches but is not scratch resistant. Clean surfaces with a dry or damp soft cloth. Do not use abrasive cleaners. Hardware may loosen over time. Periodically check that all connections are tight.

ASSEMBLY INSTRUCTION

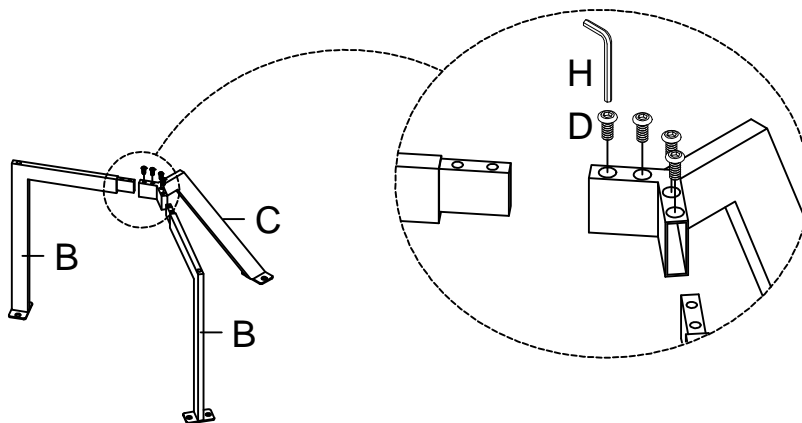
COCKTAIL TABLE

A Table Top  1 PC	B Leg  4 PCS	C Rail  2 PCS
D Bolt 1/4"*5/8"  8 PCS	E Bolt 1/4"*3/4"  12 PCS	F Spring Washer 1/4"  12 PCS
G Flat Washer 1/4"  12 PCS	H Allen Key M4  1 PC	

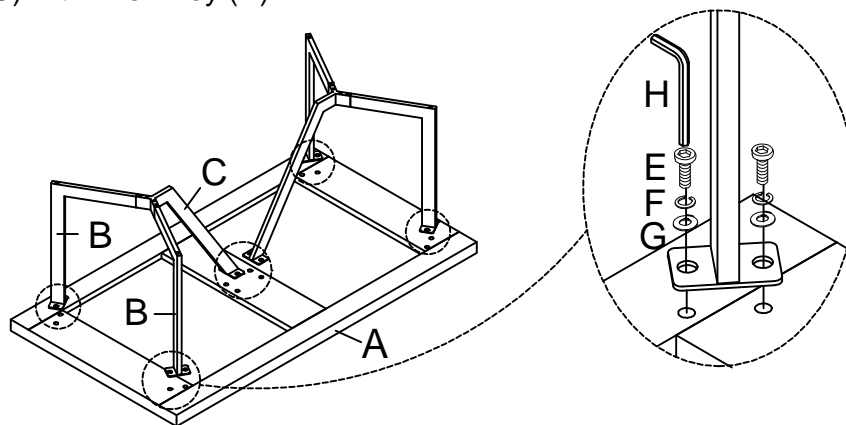


This page lists all the contents included in the box. Please take the time to identify the hardware as well as the individual components to this product. As you unpack and prepare for assembly, place the contents on a carpeted or padded area to protect them from damage.

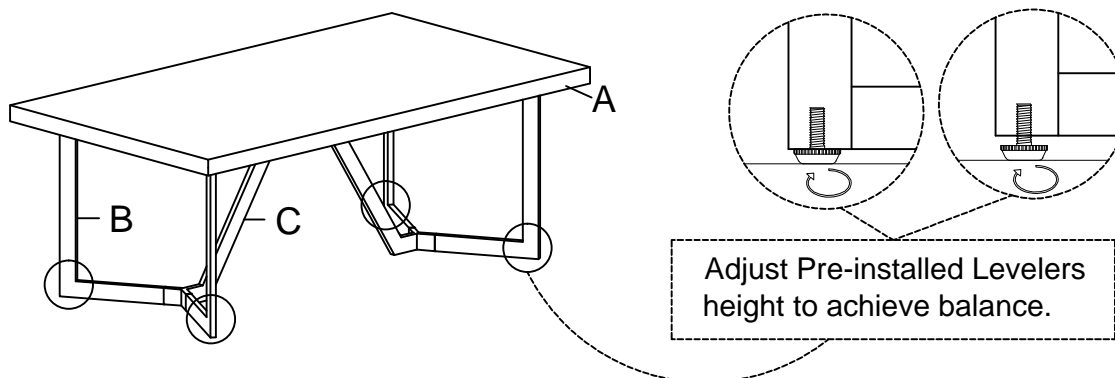
1 Attach Rail (C) to Leg (B) using Bolt (D) with Allen Key (H).



2 Attach Leg (B) and Rail (C) to bottom of Table Top (A) using Bolt (E), Spring Washer (F) and Flat Washer (G) with Allen Key (H).



3 With assistance from your adult partners, turn the Cocktail Table right way up. Adjust the Pre-installed Levelers on the bottom of Leg (B) until the Cocktail Table is level with the ground.



Cleaning & Care

Treat surface with care. Surface is resistant to scratches but is not scratch resistant. Clean surfaces with a dry or damp soft cloth. Do not use abrasive cleaners. Hardware may loosen over time. Periodically check that all connections are tight.