



WARNING

Small parts and sharp point may be present prior to assembly.

Care Instructions

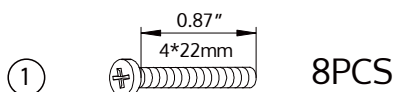
To clean your product, use mild soap and water on a damp cloth. Do not use window cleaners or cleaning abrasives as they will scratch the surface and could damage the protective coating.

Customer Service

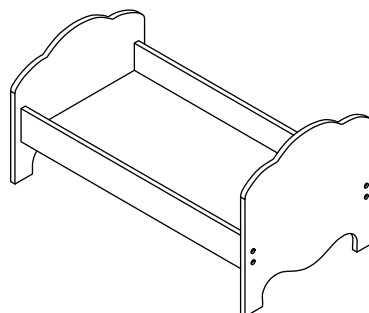
For questions regarding this product, or to receive replacement or missing parts, please contact customer service based on your location. Please have ready the model number and part number(s) located in this assembly instruction sheet when you contact us.

Made in China

HARDWARE



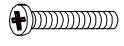
8PCS

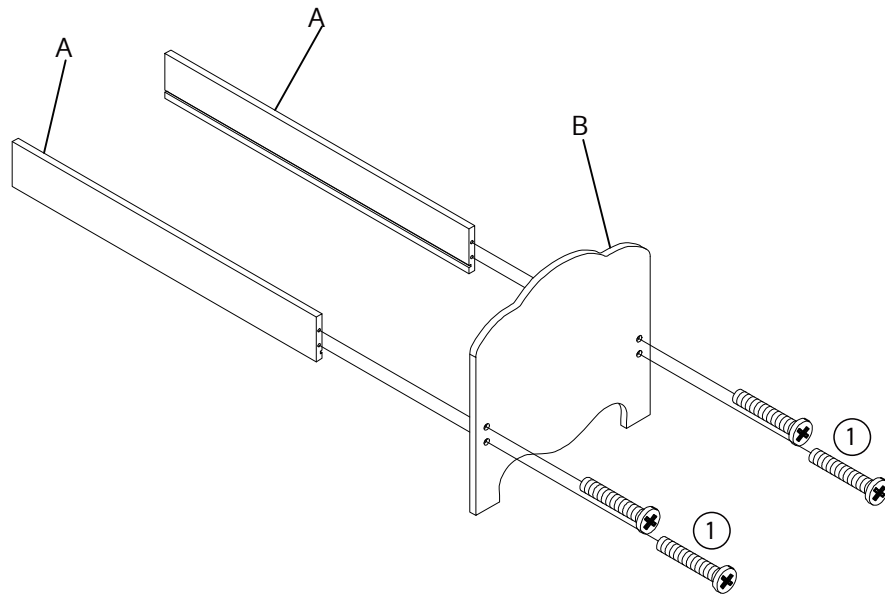


PRODUCT PART:

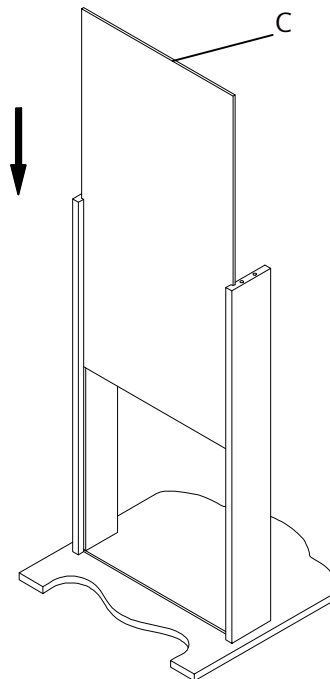
A	B	C	D
2PCS	1PC	1PC	1PC

STEP 1


①  4PCS
4*22mm

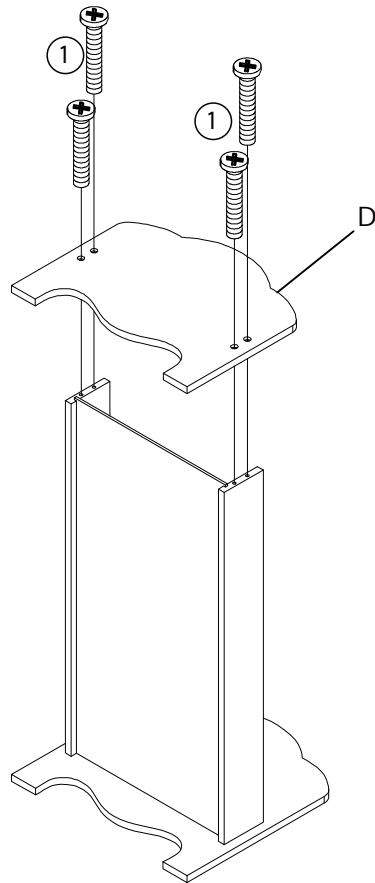


STEP 2



STEP 3

①  4PCS
4*22mm



STEP 4

