

UL File #

E22445

SIDES

BOTTOM

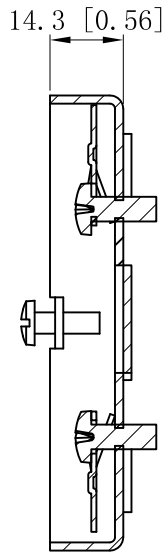
3 1/2" KNOCKOUTS

4 KNOCKOUTS

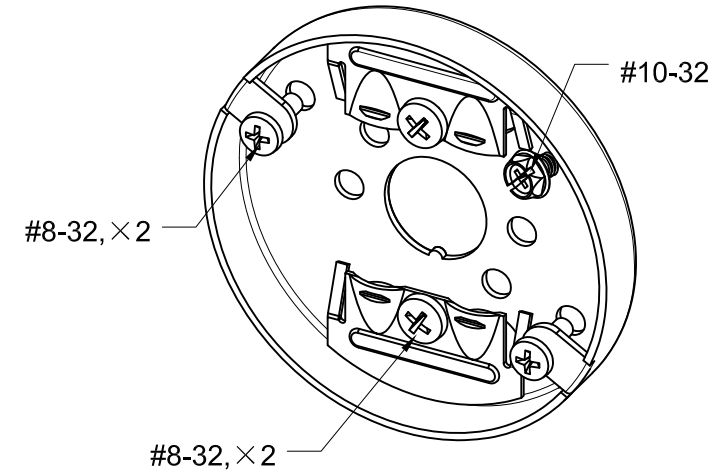
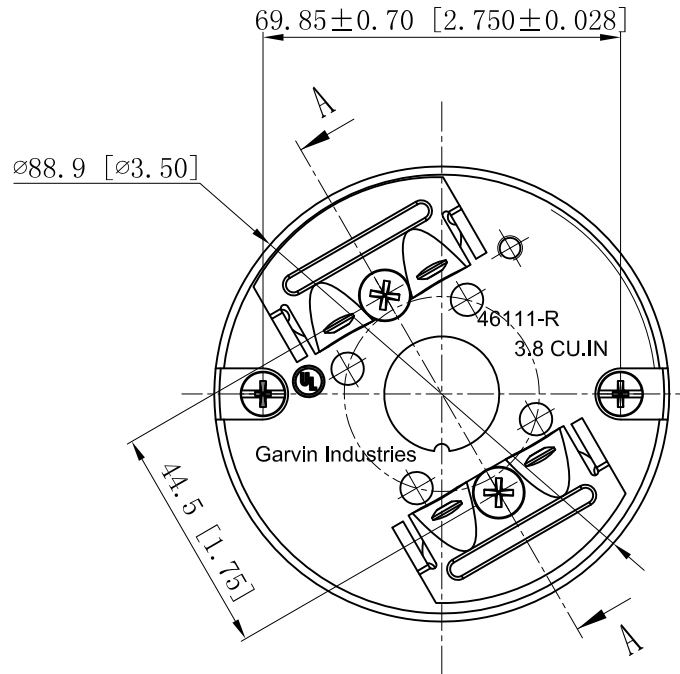
4 PCS 8-32x1/2 Screws Installed

1 PCS 10-32x3/8 Screws Installed

Material:Steel-0.0625"-G60 Galvanized



CUTAWAY VIEW A-A



This data sheet is for reference only .GARVIN INDUSTRIES reserves the right to make changes to the design without prior notice.

DESCRIPTION
TRADE REFERENCE TERMS

STANDARD PACKING	<h1 style="text-align: center;">GARVIN INDUSTRIES</h1>		
50 PCS			
	SIZE	DWG NO.	REV
	A4	46111-R	B
	DATA SHEET		
	www.garvinindustries.com		