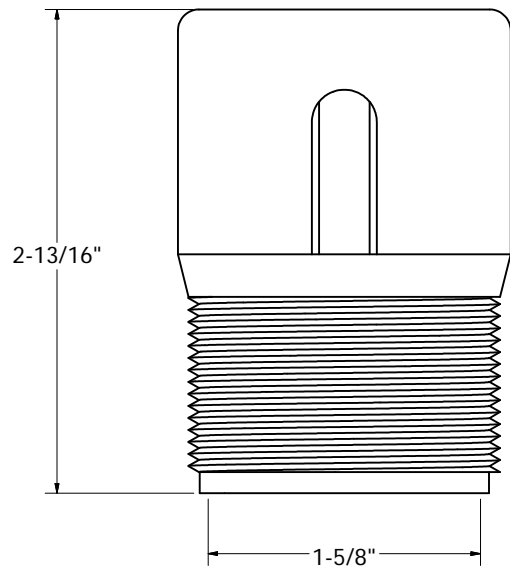
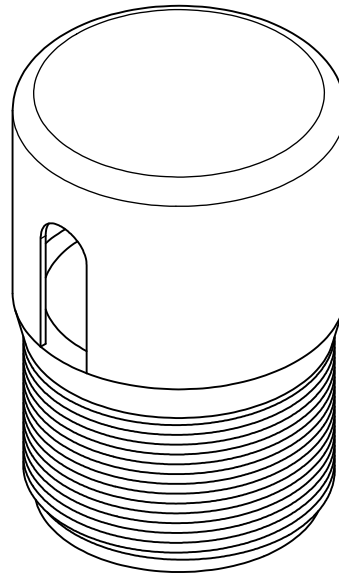
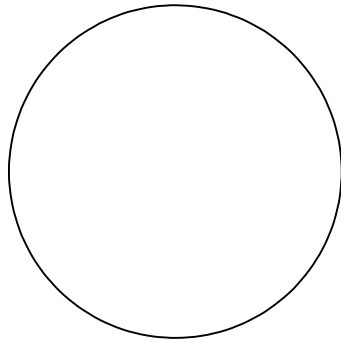


# PROVENT



- MANUFACTURED HOUSING AND RV'S ONLY
- AUTOMATIC ANTI-SIPHON TRAP VENT  
USED AS SECONDARY VENTING
- MUST BE LOCATED AT LEAST 60" ABOVE  
TRAP ARM
- TWO INDIVIDUALLY PROTECTED FIXTURES  
MAY BE CONNECTED TO SAME 1-1/2" DRAIN
- THREE OR MORE FIXTURES MUST BE  
DRAINED BY 2" LINE
- SIMPLY HAND TIGHTEN, NO THREAD SEAL  
NEEDED
- WATER CLOSET MUST HAVE MAIN STACK  
TO OUTSIDE
- MUST BE INSTALLED IN ACCESSIBLE  
LOCATION WITH FREE FLOW AIR
- DO NOT INSTALL IN SEALED WALL CAVITY
- 1-1/2" MPT THREADS



PHONE NUMBER  
**1-800-355-6637**  
FAX NUMBER  
**1-800-462-6991**  
SCALE 1.75 : 1 DATE 3-07-13  
SHEET **1 OF 1**  
DRAWN BY  
**ASHLEY KRALOVEC**

PART NO.	<b>P21150</b>
DESCRIPTION	<b>1-1/2" PROVENT</b>
MATERIAL	<b>1/50</b>