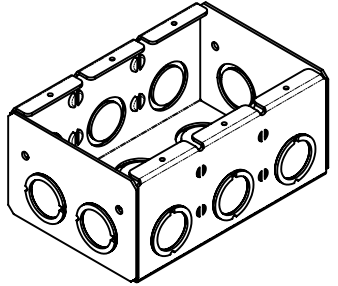
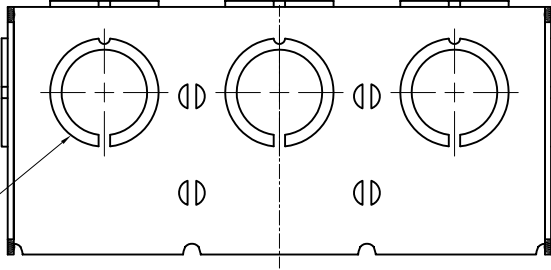
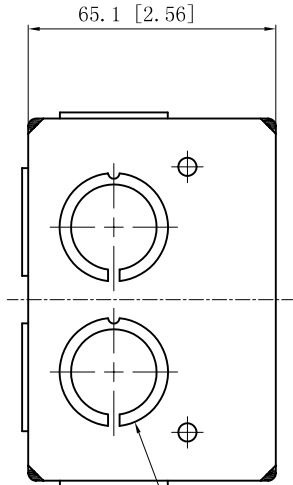


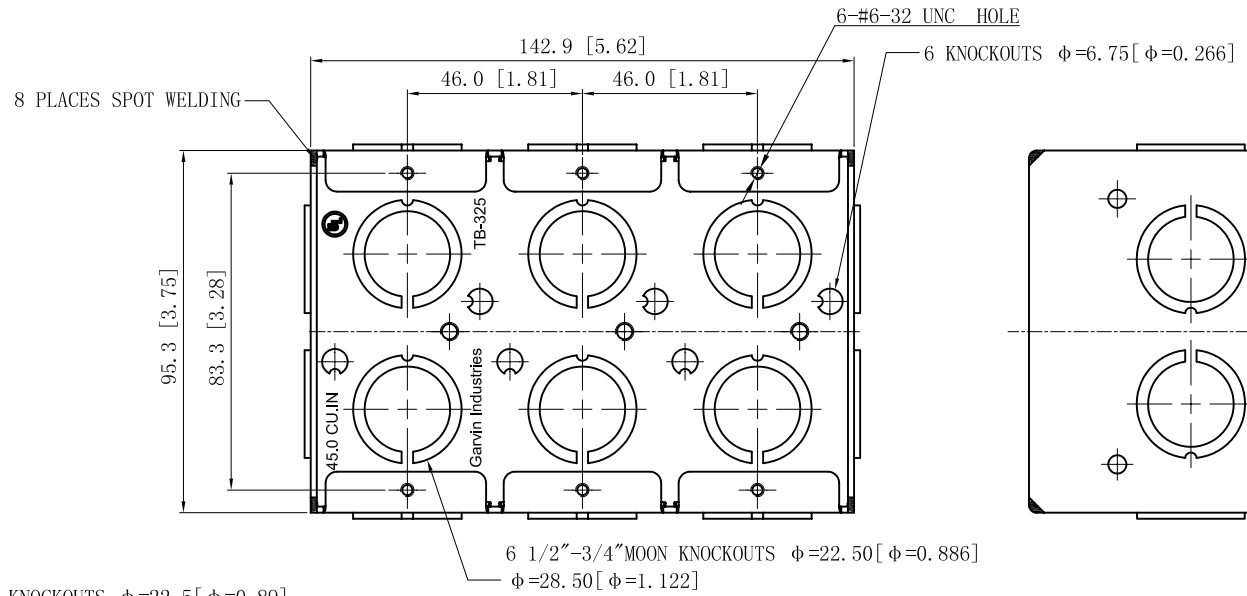
| SIDES                                  | BOTTOM                     |
|--|----------------------------|
| 10 1/2"-3/4" MOON KNOCKOUTS            | 6 KNOCKOUTS                |
|  | 6 1/2"-3/4" MOON KNOCKOUTS |
| Material: Steel-0.0625"-G60 Galvanized |                            |



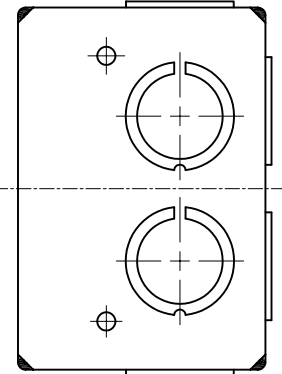
6 1/2"-3/4" MOON KNOCKOUTS  $\phi=22.50$  [ $\phi=0.886$ ]  
 $\phi=28.50$  [ $\phi=1.122$ ] MIRROR



4 1/2"-3/4" KNOCKOUTS  $\phi=22.5$  [ $\phi=0.89$ ]  
 $\phi=28.5$  [ $\phi=1.12$ ] MIRROR



6 1/2"-3/4" MOON KNOCKOUTS  $\phi=22.50$  [ $\phi=0.886$ ]  
 $\phi=28.50$  [ $\phi=1.122$ ]



|                       |
|-----------------------|
| DESCRIPTION           |
|                       |
| TRADE REFERENCE TERMS |
|                       |

This data sheet is for reference only .GARVIN INDUSTRIES reserves the right to make changes to the design without prior notice.

|                  |  |         |     |
|------------------|--|---------|-----|
| STANDARD PACKING | <h1 style="text-align: center;">GARVIN INDUSTRIES</h1> |         |     |
|                  |  |         |     |
| 10 PCS           | SIZE   | DWG NO. | REV |
|                  | A4   | TB-325  | A   |
| DATA SHEET       |  |         |     |