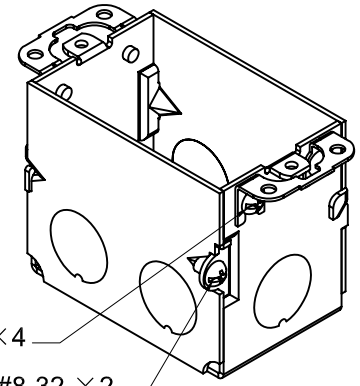
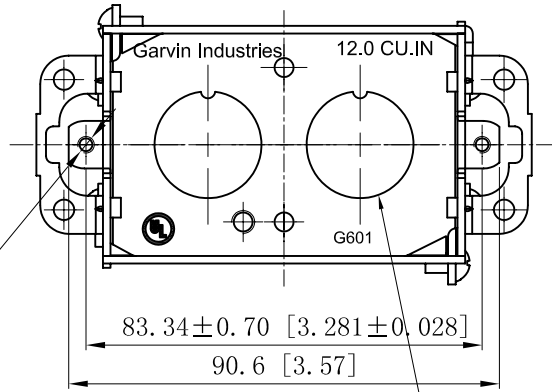


SIDES	BOTTOM
6 1/2" KNOCKOUTS	2 1/2" KNOCKOUTS
2 PCS 8-32×1/4 Screws Installed	
4 PCS 8-32×3/16 Screws Installed	
Material:Steel-0.0625"-G60 Galvanized	

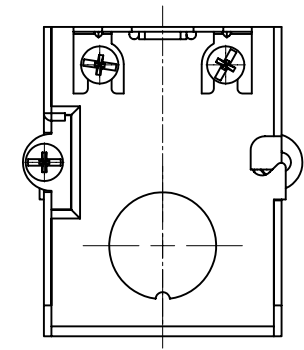
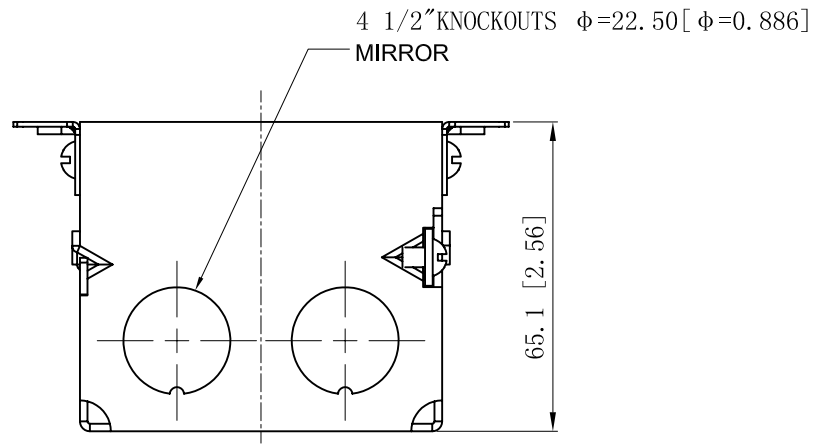
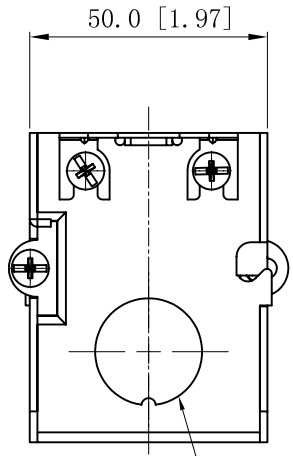


2-#6-32 UNC HOLE

2 1/2"KNOCKOUTS $\phi=22.50$ [$\phi=0.886$]

#8-32, ×4

#8-32, ×2



2 1/2"KNOCKOUTS $\phi=22.50$ [$\phi=0.886$]
MIRROR

This data sheet is for reference only .GARVIN INDUSTRIES reserves the right to make changes to the design without prior notice.

DESCRIPTION
TRADE REFERENCE TERMS

STANDARD PACKING
50 PCS

GARVIN INDUSTRIES			
TITLE GANGABLE SWITCH BOXES WITH CONOUIT KNOCKOUTS			
SIZE A4	DWG NO. G601	REV B	
DATA SHEET			