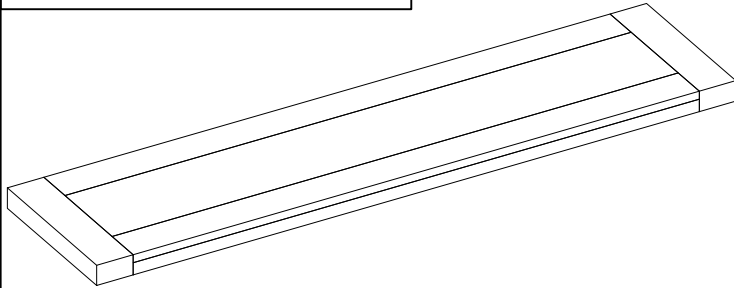


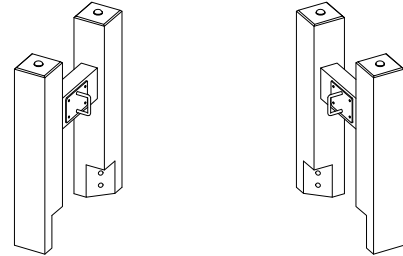
AUTUMN BENCH ASSEMBLY INSTRUCTIONS



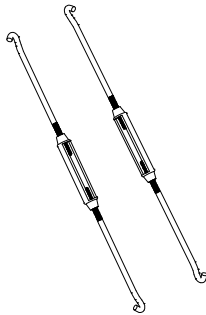
A. BENCH TOP : 1 PC



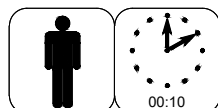
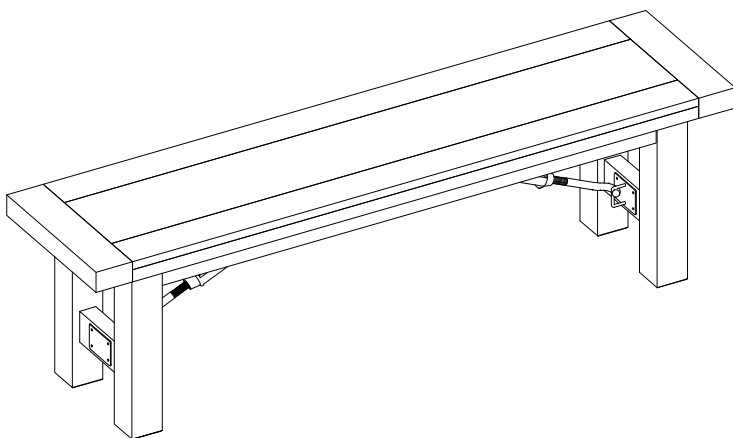
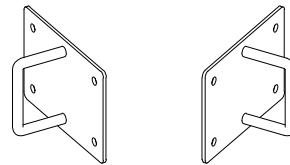
B. LEG : 2 PCS



C. TURNBUCKLE : 2 PCS



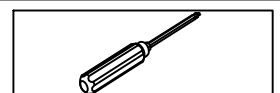
D. TURNBUCKLE BRACKET: 2 PCS



HARDWARE LIST:

| No. | Description | Photo | Quantity |
|-----|-------------------------|-------|----------|
| 1 | ALLEN BOLT (5/16"x50mm) | | 8 PCS |
| 2 | FLAT WASHER (5/16") | | 8 PCS |
| 3 | LOCK WASHER (5/16") | | 8 PCS |
| 4 | ALLEN KEY | | 1 PC |
| 5 | WOOD SCREW (4x15mm) | | 8 PCS |

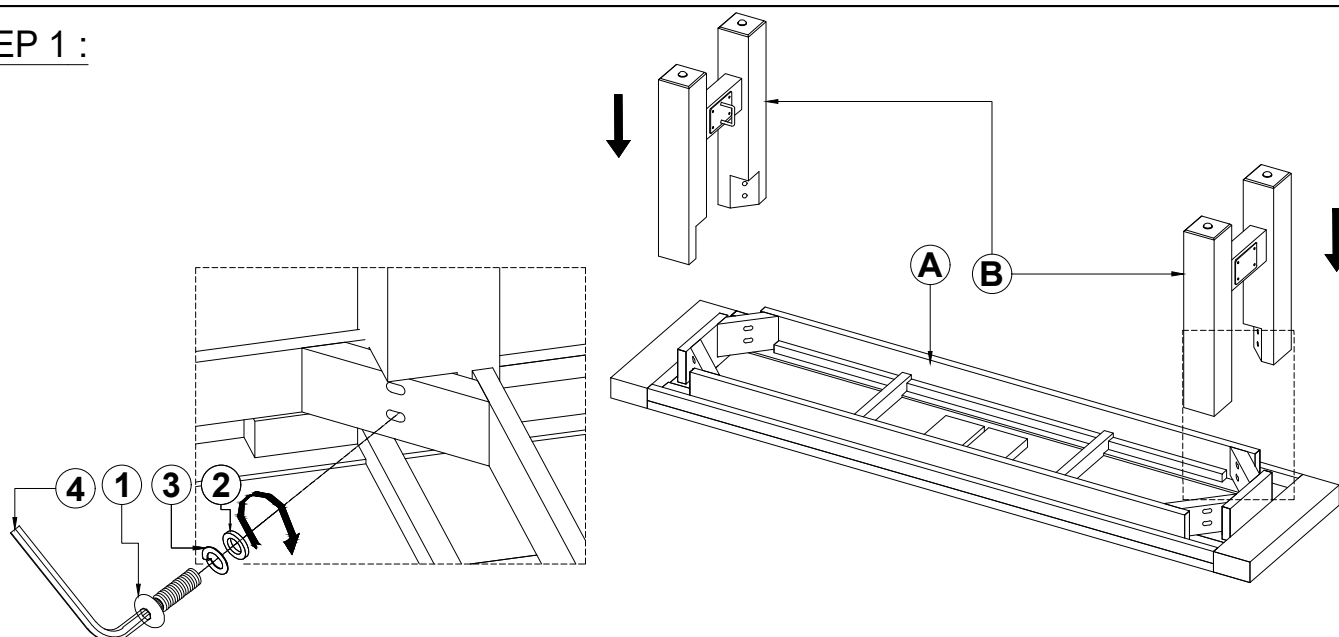
TOOL REQUIRED PHILLIPS HEAD SCREW DRIVER
(NOT PROVIDED)



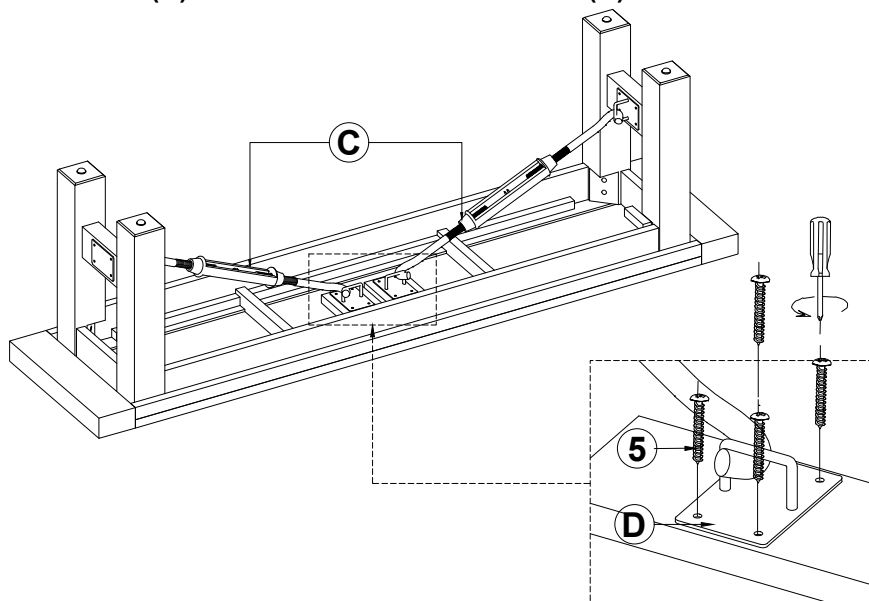
AUTUMN BENCH ASSEMBLY INSTRUCTIONS



STEP 1 :



STEP 2 : CONNECT TURNBUCKLE (C) TO TURNBUCKLE BRACKET (D) BEFORE SCREWING TO BENCH.



ASSEMBLY COMPLETE

