




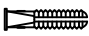


ASSEMBLY INSTRUCTION

ITEM: 7050-90008-02 Landscape Mirror
 7050-90008-89 Landscape Mirror
 7050-90001-02 Eleven-Drawer Dresser
 7050-90001-89 Eleven-Drawer Dresser

Thank you for purchasing this quality product. Be sure to unpack carefully looking for small parts which may have come loose during shipment.
 Read all instruction and study the drawing carefully before starting the assembly process.

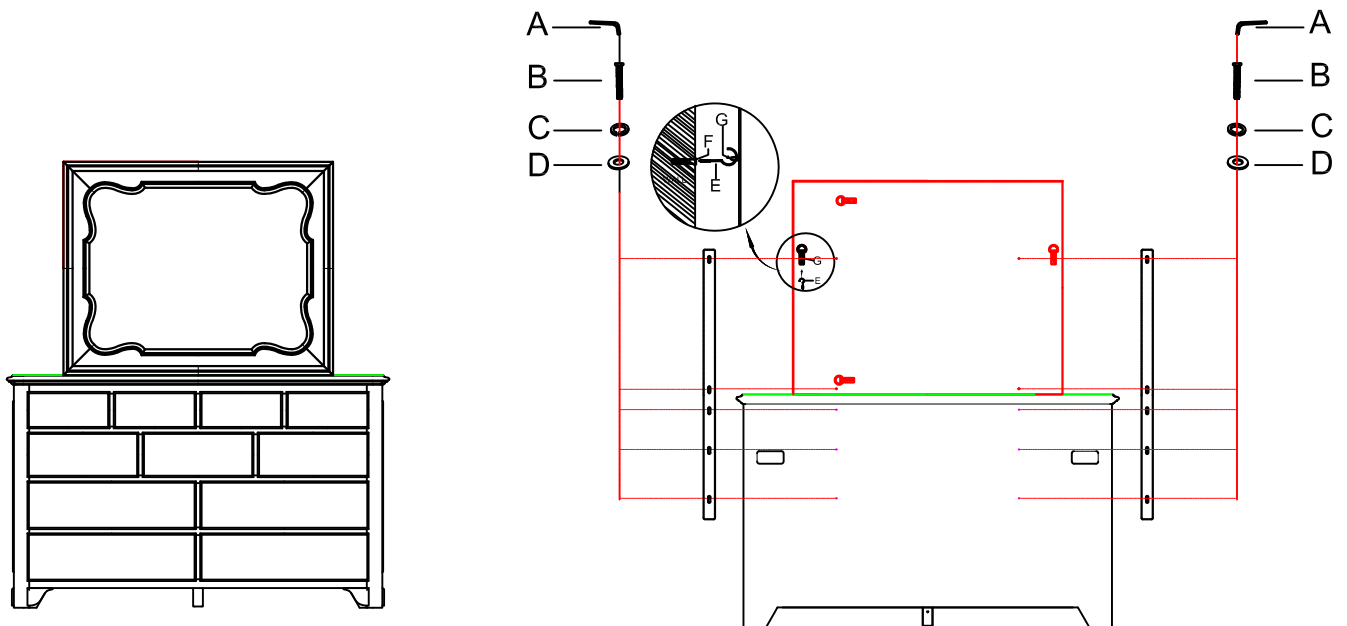
HARDWARE PACK				
NO.	DRAWING	DESCRIPTION	SIZE	Q'TY
A		Allen Wrench	69*27.2*4mm	1 PC
B		Bolt	1/4"	10 PCS
C		Lock Washer	1/4"	10 PCS
D		Flat Washer	5/16"	10 PCS
E		Hook	4*53mm	4 PCS
F		Plastic Anchor	∅ 9*30mm	4 PCS

PARTS LIST			
NO.	DRAWING	DESCRIPTION	Q'TY
1		Mirror Support	2 PCS

Note:

7050-90008-02 Landscape Mirror and 7050-90008-89 Landscape Mirror can be mounted horizontally or vertically.

When using mirror only, hang the metal ring (G) onto the hook (E).



OPTION 1

ASSEMBLY INSTRUCTION

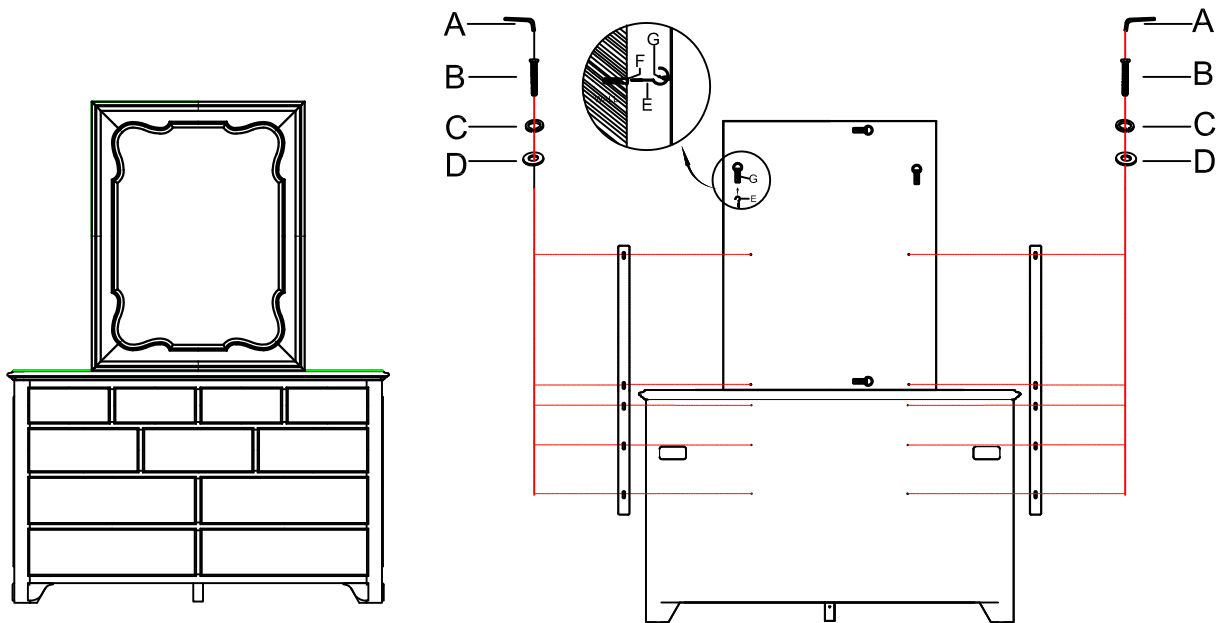
ITEM: 7050-90008-02 Landscape Mirror
7050-90008-89 Landscape Mirror
7050-90001-02 Eleven-Drawer Dresser
7050-90001-89 Eleven-Drawer Dresser

Thank you for purchasing this quality product. Be sure to unpack carefully looking for small parts which may have come loose during shipment.
Read all instruction and study the drawing carefully before starting the assembly process.

Note:

7050-90008-02 Landscape Mirror and 7050-90008-89 Landscape Mirror can be mounted horizontally or vertically.

When using mirror only, hang the metal ring (G) onto the hook (E).



OPTION 2