

## VP6042CTS2

60 x 42 x 79



PROFESSIONAL

### FEATURES

- Modern, matte finish
- Smooth, 4-piece kit
- Easy Wedge & Lock installation
- Caulkless installation
- Integral soap shelves
- Available in White only
- 15 Year residential limited warranty

### COMPONENTS OF KIT

#### Standard

- VP6042CTL (Tub) or VP6042CTR (Tub)
- VP6062CBW2 (Back Wall)
- VP3562CSW (Side Walls)

#### Aging In Place

- VP6042CTL (Tub) or VP6042CTR (Tub)
- VP6062CBW2A (Back Wall)
- VP3562CSWA (Side Walls)

### PACKAGED DIMENSIONS

- Tub: 63 x 47 x 21 1/2
- Back Wall: 65 x 61 1/2 x 8 1/2
- Side Wall Set: 64 1/4 x 38 1/2 x 5

### VERITEK PRO

Lightweight and durable, Veritek Pro is produced with Swan Solid Surface, a proprietary SMC compound.

Veritek Pro is the better bathroom solution and is a snap to install!

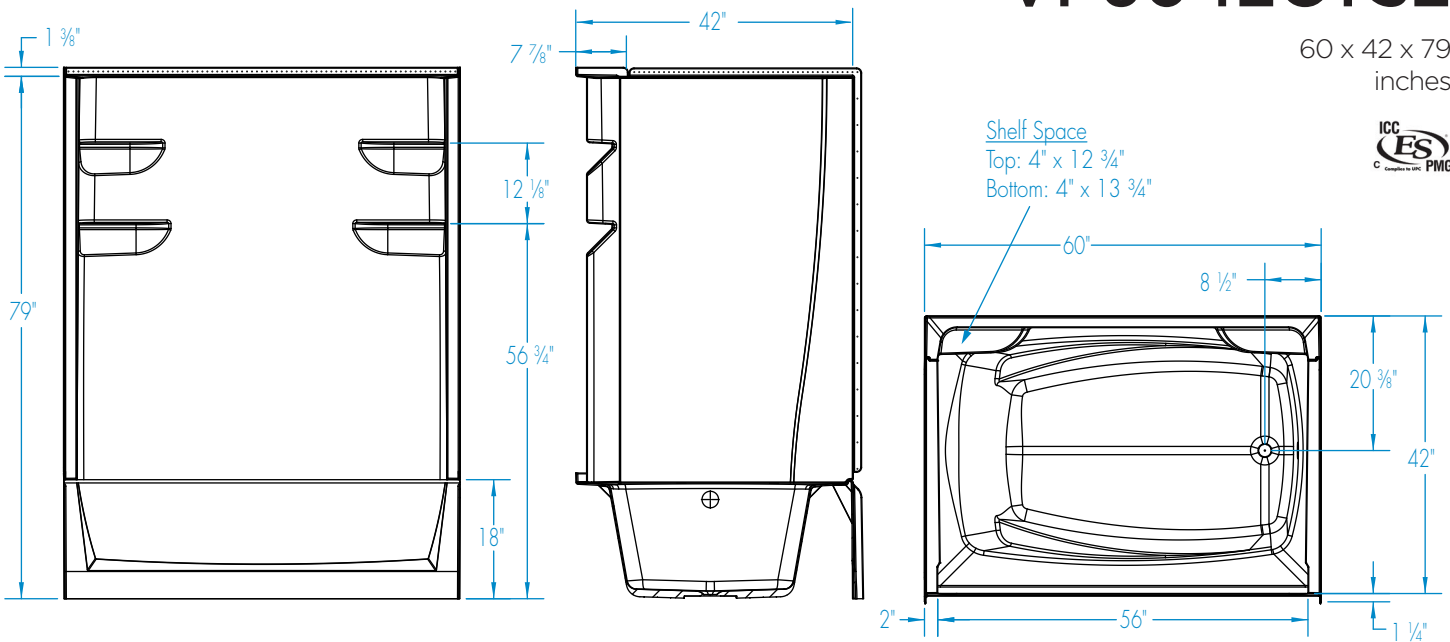
Available in the Following Offerings:

Depth	Width	Height Standard	Height AFR	Model Number			
				Standard	AIP	AFR	AIP & AFR
42	60	79	82	VP6042CTS2L/R	VP6042CTS2AL/R	VP6042CTSM2L/R	VP6042CTSMA2L/R

- **Standard:** Base model shower, tub, or tub shower offering
- **Aging In Place (AIP):** Reinforced shower or tub shower walls that allows for future grab bar installation
- **Above Floor Rough (AFR):** Clearance for drain placement, eliminating the need for drain relocation
- **Aging In Place (AIP) & Above Floor Rough (AFR):** A combination kit for AFR & AIP



# VP6042CTS2

 60 x 42 x 79  
inches


**FEATURES** Dimensional Tolerance  $\pm 3/8"$ . Dimensions needed for site preparation should be measured from the unit. Manufacturer assumes no responsibility for preparatory work.

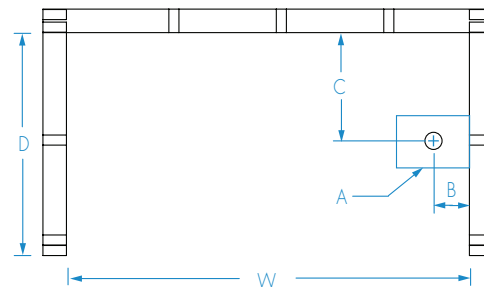
Type	Model #	Material	Height	Drain	Net Wt. lbs	Pkg. Wt. lbs
Standard Tub-Shower	VP6042CTS2L/R	Swan Solid Surface	79	LH or RH	172	187
AIP Tub-Shower	VP6042CTS2AL/R	Swan Solid Surface	79	LH or RH	202	217

## DIMENSIONS

Specifications	inches
<b>Width:</b> Overall / Net	60
<b>Depth:</b> Overall / Net	43 1/4 / 42
<b>Height:</b> Overall / Net	80 3/8 / 79
<b>Enclosure Opening</b>	56
<b>Skirt Height</b>	18
<b>Drain Rough-In</b> (from Back Wall)	20 3/8
<b>Drain Rough-In</b> (from Side Wall)	2
<b>Drain:</b> Diameter / Clearance	2 / 1/2

## FRAMING DIMENSIONS

Type	D Depth	W Width	H Height	A	B	C
Alcove	43 1/4	60	80 3/8	Box Out	2	20 3/8



## SUMP DATA

Top of Drain to Bottom of Overflow	Capacity to Overflow gal	WIDTH @ centerline		DEPTH @ centerline	
		Top	Bottom	Top	Bottom
12 5/8	65	51 3/8	43 1/2	33 3/8	26 3/4

