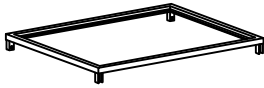


ASSEMBLY INSTRUCTION

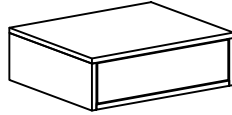
1-DRAWER END TABLE

A Top Frame



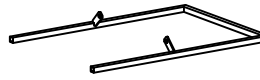
1pc

B Drawer Box



1pc

C Side Frame



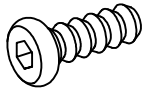
2pcs

D Glass



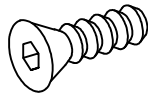
1pc

E Bolt
Ø1/4"x1/2"



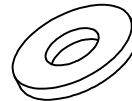
4pcs

F Bolt
Ø1/4"x3/8"



4pcs

G Flat Washer
Ø1/4"x16mm



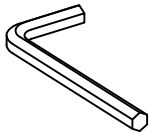
4pcs

H Lock Washer
Ø1/4"x11mm



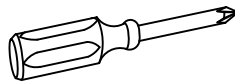
4pcs

I Allen Key

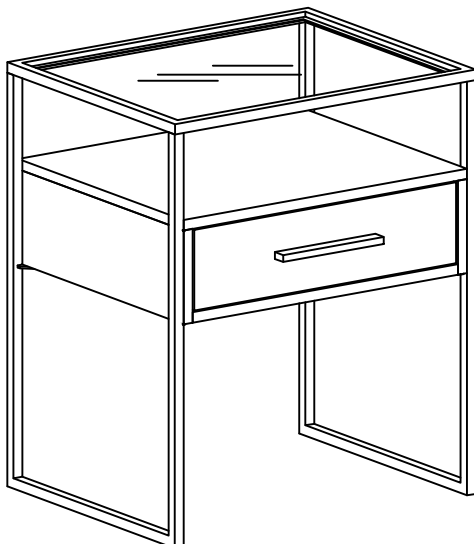


1pc

J Screwdriver
(Not Provided)

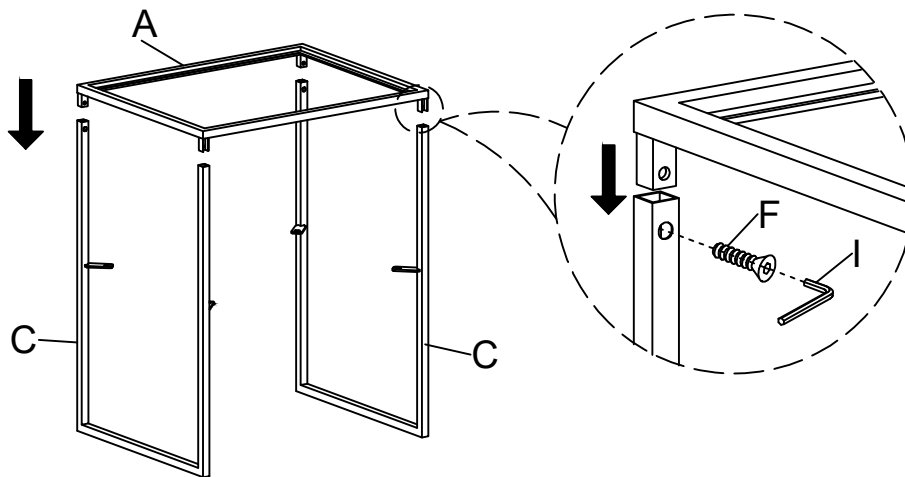


1pc

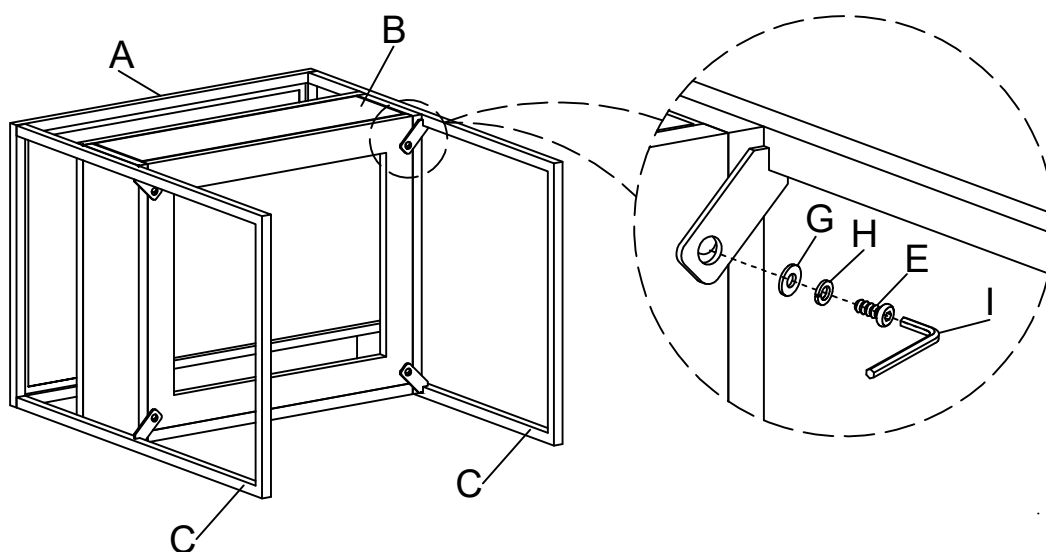


This page lists all the contents included in the box. Please take the time to identify the hardware as well as the individual components to this product. As you unpack and prepare for assembly, place the contents on a carpeted or padded area to protect them from damage.

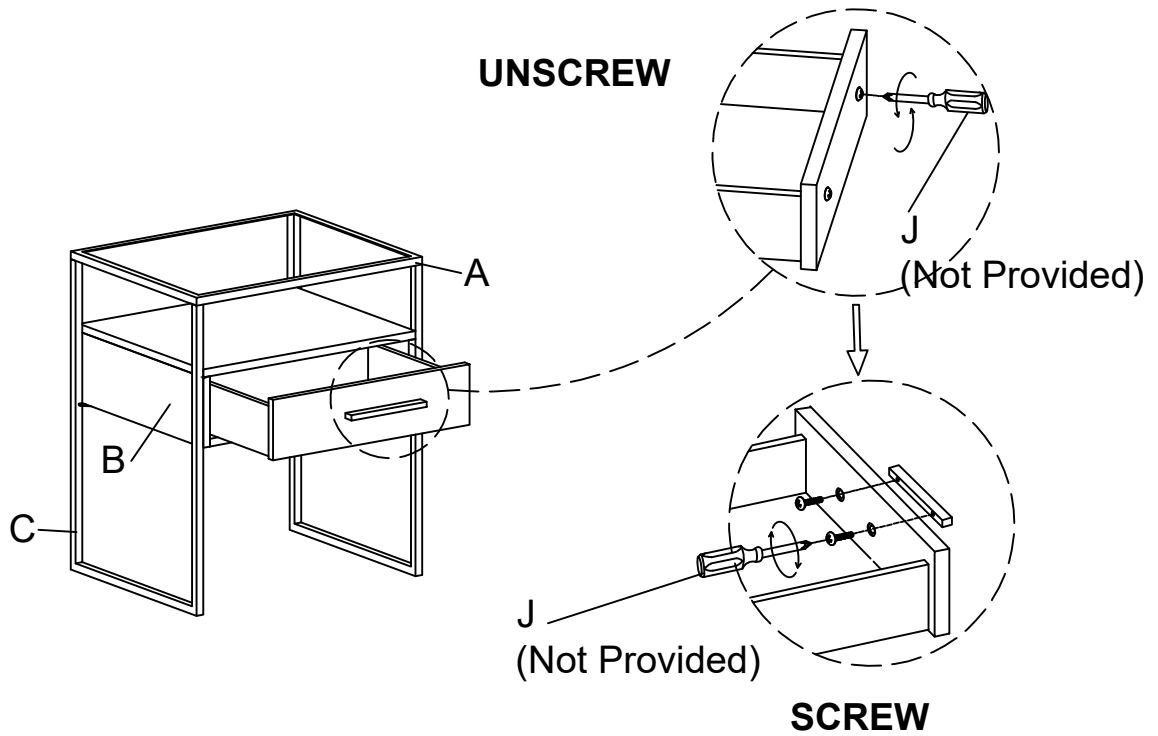
- 1** Assembly the Side Frame (C) onto the Top Frame (A), then using Bolt (F) by Allen Key (I) as shown.



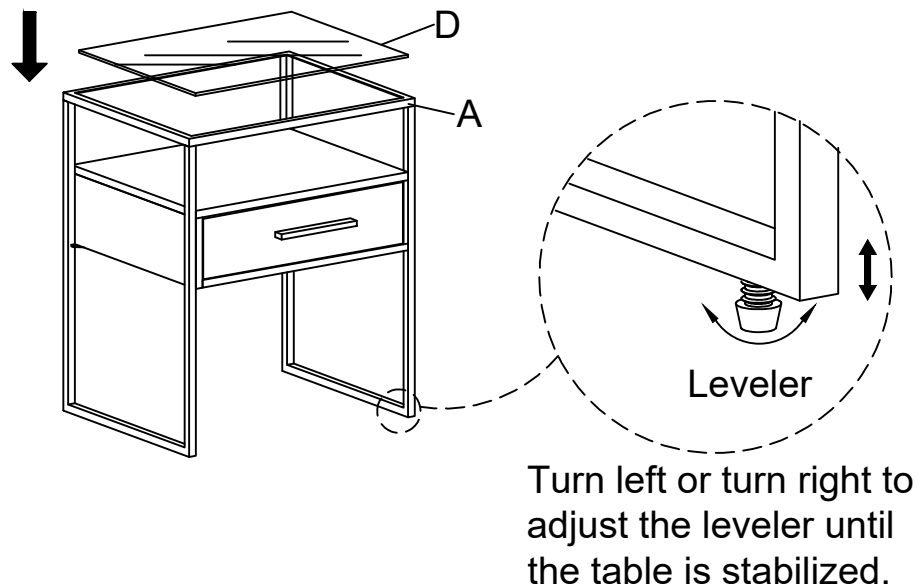
- 2** Attach Drawer Box (B) to Side Frame (C) by using Bolt (E), Lock Washer (H), Flat Washer (G) by Allen Key (I) as shown.



- 3** Unscrew and take out the drawer handle from inside of the Drawer Box (B), then install the handle to the front side of Drawer Box (B) by Screwdriver (J).



- 4** Place Glass (D) into the fillister of Top Frame (A).



Cleaning & Care

Treat surface with care. Surface is resistant to scratches but is not scratch resistant. Clean surfaces with a dry or damp soft cloth. Do not use abrasive cleaners. Hardware may loosen over time. Periodically check that all connections are tight.