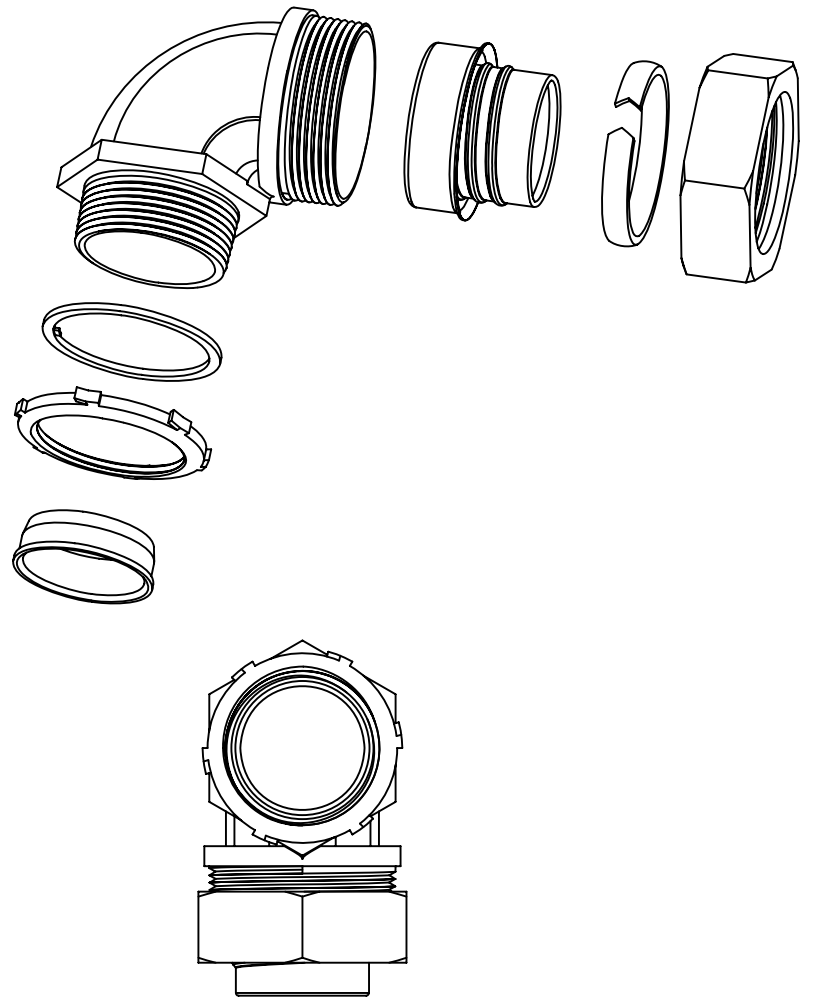
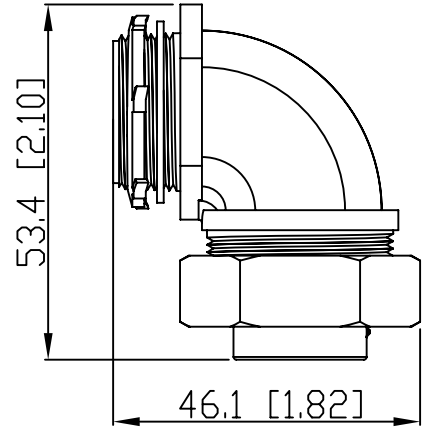
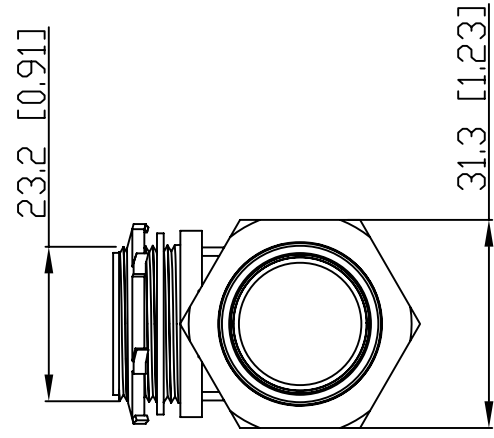


SIDES	BOTTOM
Material:Malleable Iron	



DESCRIPTION
TRADE REFERENCE TERMS

This data sheet is for reference only .GARVIN INDUSTRIES reser the right to make changes to the design without prior notice.

STANDARD PACKING	<h1 style="text-align: center;">GARVIN INDUSTRIES</h1>		
5 PCS			
TITLE	90° Liquid Tight Conn, 1 1/2"		
SIZE	DWG NO.	REV	
A4	DS-LTC-15090	A	