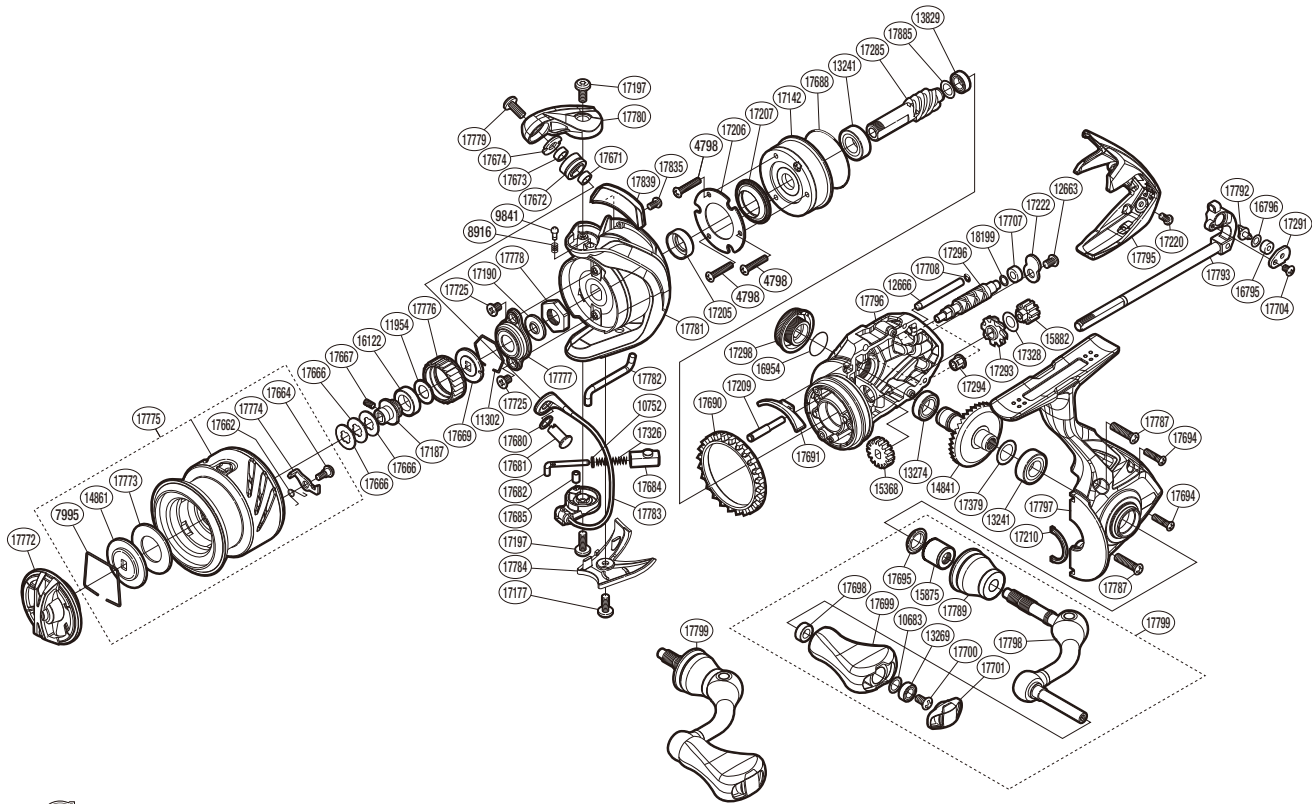


SHIMANO

STRADIC **CI4+** SA-RB

STCI4-1000HGFB



SA-RB
(51SE791202X)

Please note that the number of adjusting washers may not be the same as shown in the exploded views. (Adjustment will vary with each individual product.)

Part No.	Description	Part No.	Description	Part No.	Description
RD 4798	Screw	RD17220	Screw	RD17701	Handle Knob Seal
RD 7995	Drag Washer Retainer	RD17222	Worm Shaft Retainer	RD17704	Screw
RD 8916	Click Spring	RD17285	Pinion Gear	RD17707	Worm Bushing
RD 9841	Click Pin	RD17291	Oscillating Pawl Cover	RD17708	O Ring
RD10683	Washer	RD17293	Idle Gear B (Large)	RD17725	Screw
RD10752	Bail Spring Guide A Support	RD17294	Worm Bushing (Front)	RD17772	Drag Knob
RD11302	Ratchet Spring	RD17296	Worm Shaft	RD17773	Drag Washer
RD11954	Washer	RD17298	Handle Screw Cap	RD17774	Drag Click
RD12663	Screw	RD17326	Bail Spring	RD17775	Spool Assembly
RD12666	Oscillating Guide A	RD17328	Washer	RD17776	Drag Click Ratchet
RD13241	Ball Bearing	RD17379	Washer	RD17777	Rotor Nut Lock Plate
RD13269	Ball Bearing	RD17662	Drag Click Spring	RD17778	Rotor Nut
RD13274	Ball Bearing	RD17664	Screw	RD17779	Line Roller Screw
RD13829	Ball Bearing	RD17666	Spool Washer	RD17780	Bail Arm
RD14841	Drive Gear	RD17667	Set Screw	RD17781	Rotor
RD14861	Key Washer	RD17669	Spool Support	RD17782	Bail Trip Lever
RD15368	Idle Gear	RD17671	Bearing Spacer	RD17783	Bail Assembly
RD15875	Handle Shaft Cover B	RD17672	Line Roller	RD17784	Bail Hold Support Guard
RD15882	Idle Gear B (Small)	RD17673	Bearing Spacer	RD17787	Screw
RD16122	Spool Bushing	RD17674	Line Roller Plate	RD17789	Handle Shaft Cover
RD16795	Oscillating Slider Bushing	RD17680	Washer	RD17792	Oscillating Pawl
RD16796	Spacer	RD17681	Line Roller Support	RD17793	Main Shaft Assembly
RD16954	O Ring	RD17682	Bail Spring Guide A	RD17795	Rear Protector
RD17142	Roller Clutch Assembly	RD17684	Bail Spring Seat	RD17796	Body
RD17177	Screw	RD17685	Bail Spring Guide A Bush	RD17797	Side Cover
RD17187	Bearing Bushing	RD17688	O Ring	RD17798	Handle Shank Assembly
RD17190	Bearing Water Proof	RD17690	Friction Ring	RD17799	Handle Assembly
RD17197	Screw	RD17691	Bail Trip Strike	RD17835	Screw
RD17205	Rotor Ring	RD17694	Screw	RD17839	Counterweight Cover Assembly
RD17206	Roller Clutch Reinforce	RD17695	Handle Shaft Seal	RD17885	Washer
RD17207	Roller Clutch Water Proof	RD17698	Handle Knob Bushing	RD18199	Washer
RD17209	Idle Gear B Shaft	RD17699	Handle Knob		
RD17210	Flange Water Proof	RD17700	Screw		