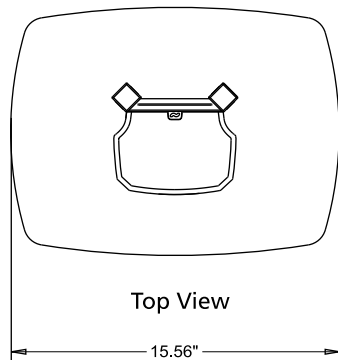
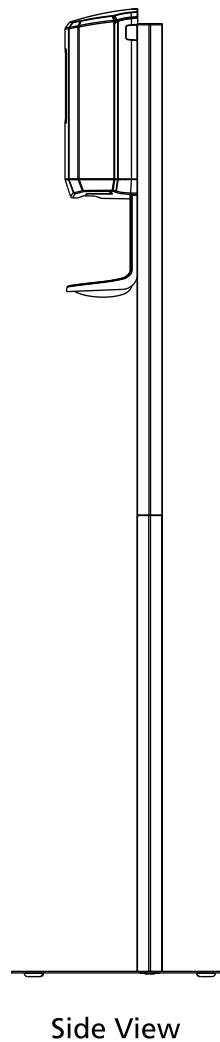
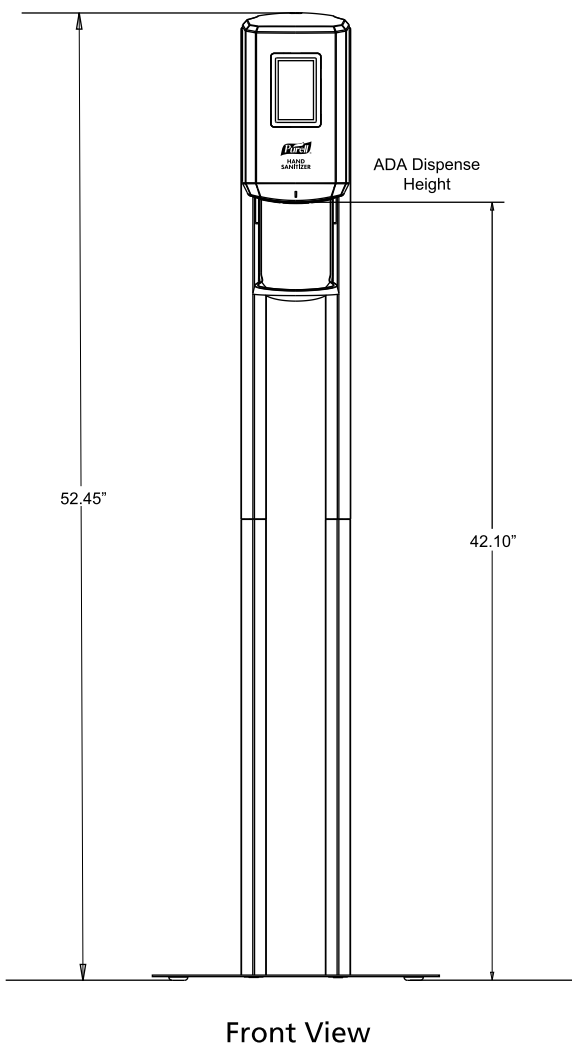


PURELL® CS FLOOR STAND DIMENSIONS



Use the dimensions provided to ensure adequate floor spacing and clearance for the unit.
Refill sold separately.



GOJO Industries, Inc.
One GOJO Plaza, Suite 500
P.O. Box 991 • Akron, OH 44309-0991
Tel: 1-330-255-6000 • Toll-free: 800-321-9647
Fax: 1-800-FAX-GOJO

©2021 GOJO Industries, Inc. All rights reserved.

#31857