

OPERATION (PANEL PULLING)

1. Thread the Panel hook puller attachment onto the slide hammer shaft.
2. Select the edge or panel you intent to pull, place the molded steel jaw on the edge of the object to be pulled.
3. Push the slide hammer weight forward towards the work piece, then forcefully pull it back towards the jam nut. Repeat and adjust force as needed.
4. Repeat Step 3 until object has been pulled to the desired position.

MAINTENANCE & SERVICING

1. BEFORE EACH USE, inspect the general condition of the tool. Check for:
 - Loose hardware,
 - Misalignment, binding of moving parts,
 - Cracked or broken parts, and
 - Any condition that may affect its safe operation.
- TO PREVENT SERIOUS INJURY FROM TOOL FAILURE:
Do not use damaged equipment. If a crack or broken part is found do not use, have the problem corrected before further use.

9 PC DENT & SEAL PULLER SET

Item Number W2029DB

OWNER'S MANUAL

Performance Tool®



▲WARNING!
READ, UNDERSTAND AND FOLLOW ALL INSTRUCTIONS AND WARNINGS BEFORE OPERATING THIS TOOL. FAILURE TO DO SO MAY RESULT IN PERSONAL INJURY AND/OR PROPERTY DAMAGE AND WILL VOID WARRANTY.



© Copyright 2021 WILMAR CORPORATION, P.O. Box 88259 Tukwila, WA 98138

3

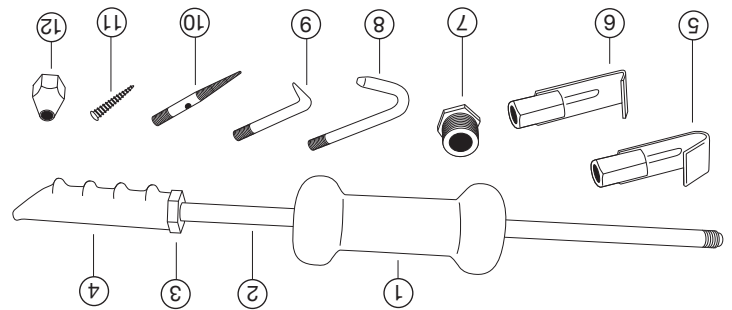
2

1. Identify the lip or creased area you will be inserting the puller attachment hook on or into.
2. Thread the puller hook onto the end of the accessory holder, thread the assembly on to the puller shaft.
3. Drill a small hole large enough for the hook to fit into, align the hook with the crease.
4. Push the slide hammer weight forward towards the work piece, then gently as needed pull it back towards the jam nut.

1. Wear ANSI-approved safety goggles and heavy-duty work gloves during assembly and use.
2. Inspect before every use; do not use if parts are damaged.
3. Do not use on anything other than its intended purpose.
4. Do not modify Slide Hammer to perform a task other than what it was designed for. Do not use anything other than the included hammer with this tool.
5. Assemble only according to instructions. Improper assembly can create hazards.
6. This product is not a toy. Do not allow children to play with or near this item.

▲WARNING, READ, UNDERSTAND AND FOLLOW ALL INSTRUCTIONS AND WARNINGS BEFORE OPERATING THIS PRODUCT. FAILURE TO DO SO MAY RESULT IN FIRE, ELECTRICAL SHOCK, PERSONAL INJURY AND/OR PROPERTY DAMAGE AND WILL VOID WARRANTY.

IMPORTANT SAFETY INFORMATION



No.	Description	Qty.
1	Hammer	1
2	Shaft	1
3	Jam Nut	1
4	Handle	1
5	Large Panel Puller	1
6	Small Panel Puller	1
7	Attachment Holder	1
8	Large Puller Hook	1
9	Small Puller Hook	1
10	Large Dent Puller Screw	1
11	Small Dent Puller Screw	1
12	Screw Holder	1

1. Drill a 1/8 in. hole into the center of the dent.
 2. Place the Small Access Screw through the screw holding adapter.
 3. Thread the adapter and screw onto the puller shaft, tighten securely.
 4. Thread the Screw into the drilled hole using the body and handle for the dent puller.
5. Push the slide hammer weight forward towards the work piece, then forcefully pull it back towards the jam nut. Repeat and adjust force as needed.
- ▲CAUTION: Do not use excessive force when pulling dents. Sheet metal can easily bend or tear.**

OPERATION (DENT PULLING)

1. Thread jam nut completely onto shaft.
2. Thread handle onto shaft until it reaches jam nut.
3. Follow instructions below for applications.

ASSEMBLY INSTRUCTIONS

7. Maintain product labels and nameplates. These carry important safety information. If unreadable or missing, contact Performance Tool for a replacement.
8. Performance Tool is not responsible for vehicle damage (including cosmetic damage) due to improper use or lack of experience for using this type of tool.

IMPORTANT SAFETY INFORMATION CONT.

CONTENTS