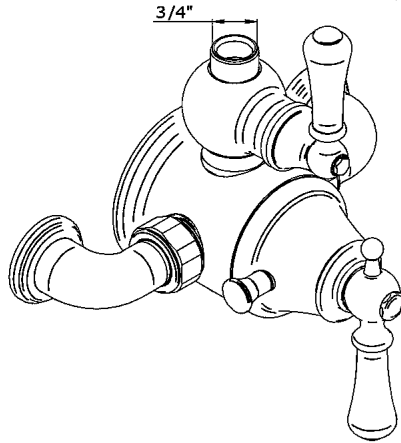


The Georgian Bathroom Collection
Installation & User Guide

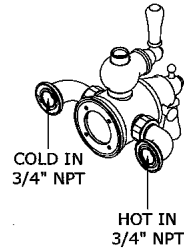
• U.5751L • U.5752X

EXPOSED THERMOSTATIC SHOWER MIXERS



CONTENTS

- Shower Mixer Parts
- Preparation Check
- Installation
- Operation
- Spare Parts

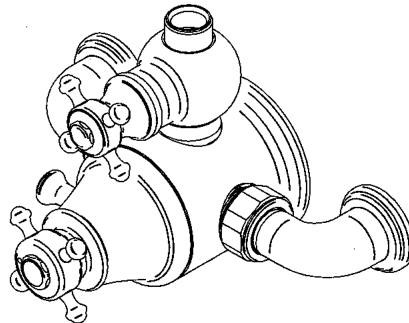


Technical Data:

- Inlets - 3/4" NPT
- Working pressures: 1 bar min - 10 bar max.
- Shut off supply failure: <1 Second.

Performance:

- Factory temperature setting: 100°F (38°C)
- Temperature range: 52-118°F (11-48°C)
- Temperature Hot supply: 149-180°F (65-82°C)
- Temperature Cold supply: 50-72°F (10-22°C)
- Temperature Stability: ±32°F
- Ideal performance obtained with equal hot & cold pressures.

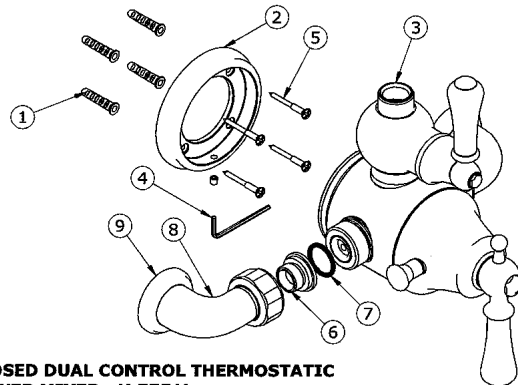


The Georgian Bathroom Collection
Installation & User Guide

Congratulations on the purchase of your Perrin & Rowe Bathroom Product. Correctly installed and with sensible care, it will give many years of trouble free service.

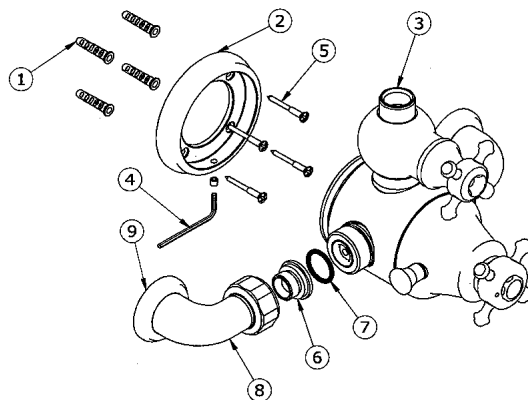
Preparation Check Box for Installer

- Please check carefully that the contents of your Perrin & Rowe Shower Mixer is complete. Please check before you install the product that there is no damage to the contents as **we cannot accept any responsibility after installation.**



- 1 Wall Plugs x 4
- 2 Back Plate
- 3 Mixer Body
- 4 2.5mm AF Hexagonal Key
- 5 Back Plate Screws x 4
- 6 Strainers x 2
- 7 O Ring Seals x 2
- 8 Wall Unions x 2
- 9 Rosettes x 2

**EXPOSED DUAL CONTROL THERMOSTATIC
SHOWER MIXER - U.5751L**



- 1 Wall Plugs x 4
- 2 Back Plate
- 3 Mixer Body
- 4 2.5mm AF Hexagonal Key
- 5 Back Plate Screws x 4
- 6 Strainers x 2
- 7 O Ring Seals x 2
- 8 Wall Unions x 2
- 9 Rosettes x 2

**EXPOSED DUAL CONTROL THERMOSTATIC
SHOWER MIXER - U.5752X**

IMPORTANT INFORMATION

Before you proceed... We recommend you engage the services of a registered plumber to install this product.

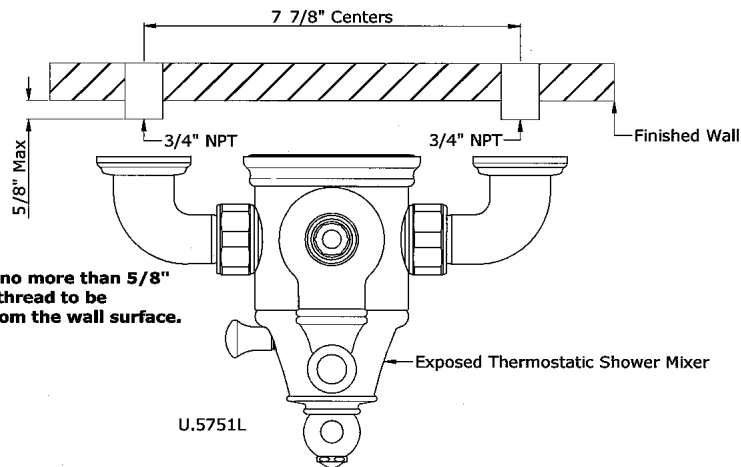
In addition to the guide below it is essential that the written information overleaf is carefully read and understood.

Preparation Check Box for Installer

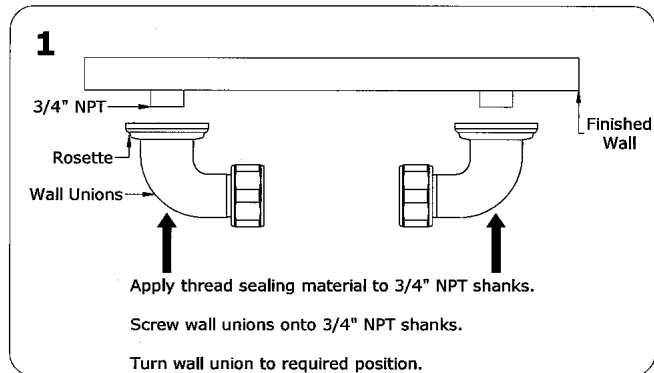
- Flush the plumbing system before installing the bathroom product.
- We recommend that the hot and cold supplies should have conveniently placed isolating valves to accommodate any servicing requirements.

IMPORTANT

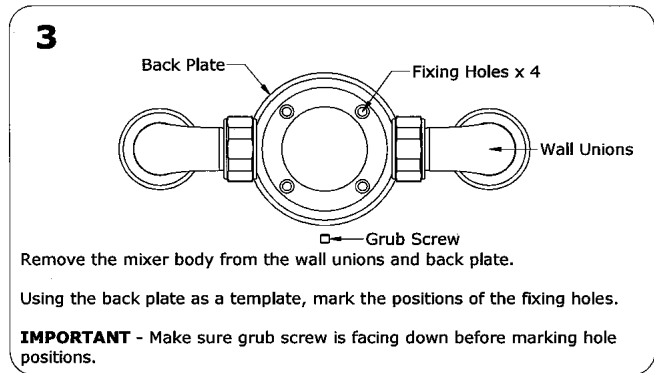
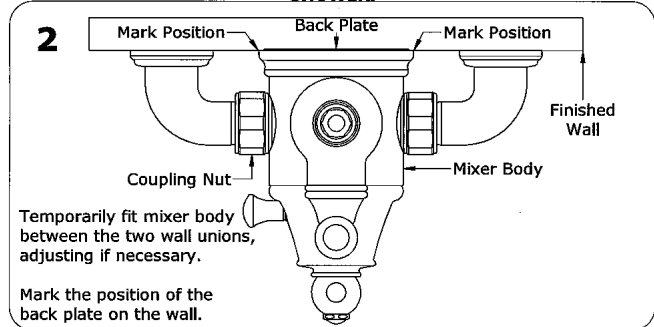
- It is possible that there may be a temperature variation between fittings supplied with the mixer.
- Please ensure that the installation complies with the local plumbing codes.
- Fit two 3/4" NPT male fittings into wall at 7 7/8" centers.

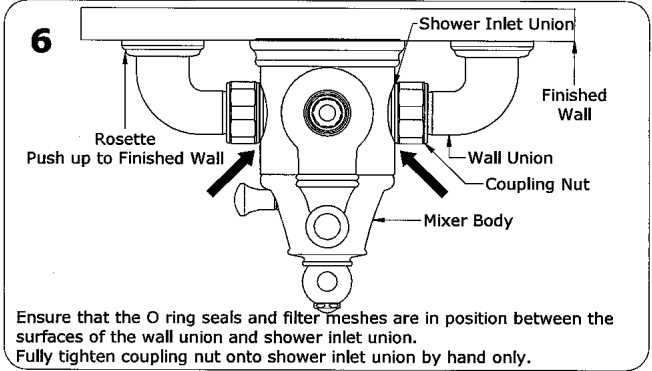
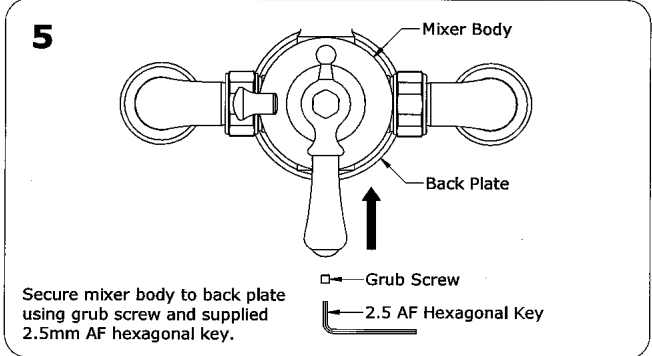
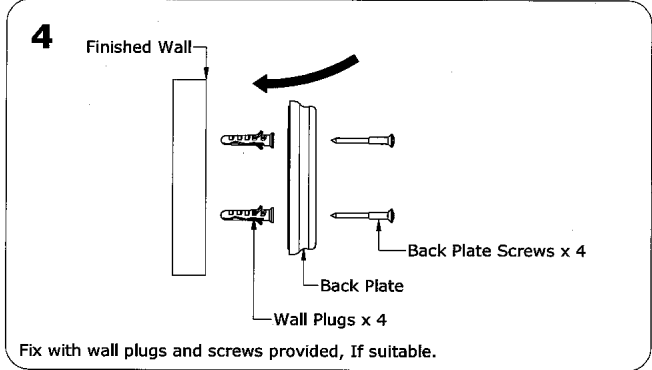


The Georgian Bathroom Collection
Installation & User Guide



BEFORE PROCEEDING TO STAGE 2 PLEASE FLUSH THE PLUMBING SYSTEM TO REMOVE PLUMBING RESIDUES PRIOR TO FITTING THE SHOWER.



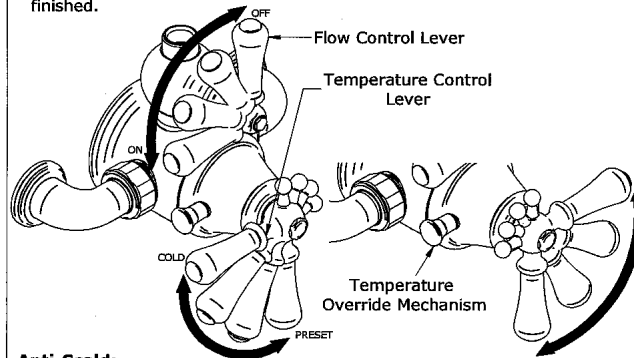


Before Use

- Carefully check the complete installation for leaks.
- If further building work is to be carried out in the vicinity, cover the bathroom product with a plastic bag to avoid damaging the finish.

Operation

- Rotate the Flow Control Lever/Crosshead anti-clockwise a quarter turn to turn ON the shower.
- The thermostatic cartridge has been set to give a temperature of 100°F (38°C), this is when the Temperature Control Lever is set in the vertical position/or the 'dot' on the crosshead boss is at the top.
- A Cold shower can be achieved by rotating the lever/crosshead clockwise.
- A Hotter shower can be achieved by pulling out the Temperature Override Mechanism and rotating the lever/crosshead in an anti-clockwise direction, up to a maximum of 118°F (48°C).
- Please return the Temperature Control Lever to its pre-set position when finished.

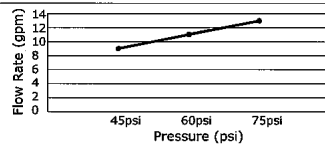


Anti-Scald:

The thermostatic cartridge will automatically shut down completely on failure of either the hot or cold supply. This is especially important if your shower is to be used by children or the elderly. The thermostatic cartridge will reactivate when the supply failure has been corrected.

Cartridge Temperature:

If shower temperatures different to the pre-set are required, the cartridge can be adjusted using the procedure in Section 1 of the Troubleshooting Guide.



Cartridge Performance Data For Thermostatic Unit Only

psi	gpm
45	9.2
60	11
75	12.9

The Georgian Bathroom Collection
Installation & User Guide

Care & Maintenance

Wipe down after use to avoid water spotting and mineral build up.

Occasional cleaning with warm soapy water, followed by a polish with a soft cloth is all that is required to keep the plated finish in good condition.

Do not use proprietary abrasive liquids, powders, or pads to clean the shower. Do not use any products with ammonia bleach or limescale remover. You will damage the plated finish and void your guarantee.

ROHL WARRANTY POLICY

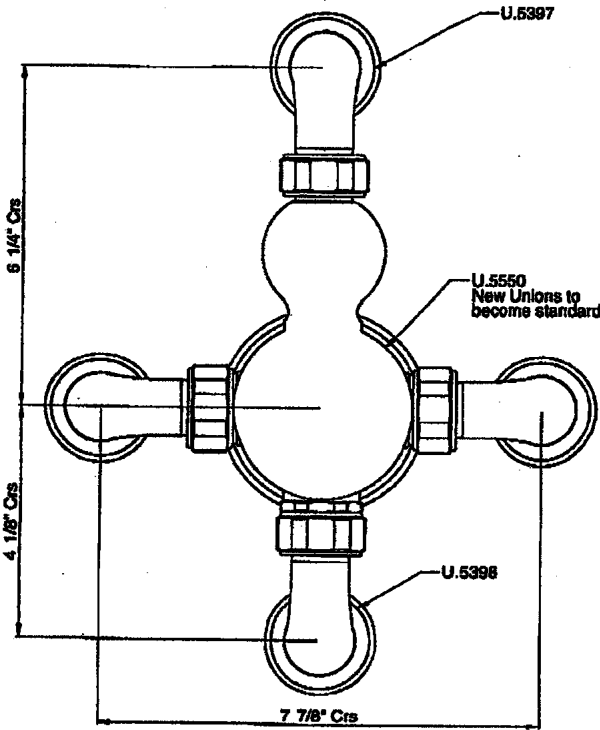
All products supplied by ROHL carry warranties against manufacturing defects.

Perrin & Rowe products carry a Limited Lifetime Warranty.

ROHL LLC will provide free of charge, as its options, replacement part(s) or product (or a comparable alternative product) to replace those which have proven defective in materials or workmanship.

For full ROHL LLC WARRANTY please contact ROHL or visit www.rohlhome.com

CENTER TO CENTER HOT AND COLD
AND TOP AND BOTTOM UNIONS



All connections are 3/4" NPT female,
for a threaded stub protruding from wall