

Installation Instructions

Medicine Cabinet

Record your model number:

Noter le numéro de modèle:

Anote su número de modelo: _____

Français, page 13

Español, página 25

KOHLER®

Thank You for Choosing KOHLER

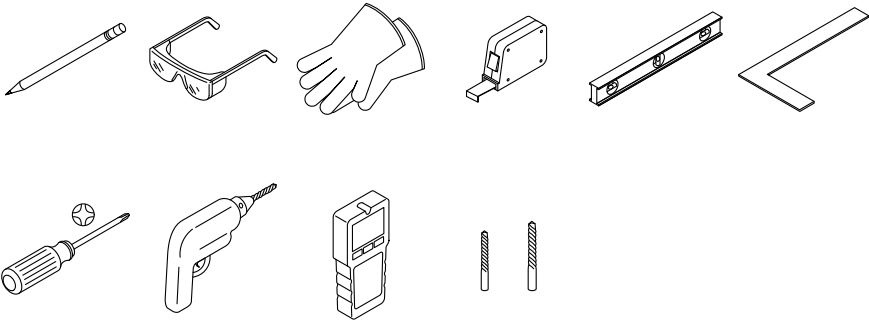
Need help? Contact our Customer Care Center.

- USA/Canada: 1-800-4KOHLER (1-800-456-4537) Mexico: 001-800-456-4537
- Service parts: [kohler.com/serviceparts](https://www.kohler.com/serviceparts)
- Care and cleaning: [kohler.com/clean](https://www.kohler.com/clean)
- Patents: [kohlercompany.com/patents](https://www.kohlercompany.com/patents)

Warranty

This product is covered under the **KOHLER® One-Year Limited Warranty**, found at [kohler.com/warranty](https://www.kohler.com/warranty). For a hardcopy of warranty terms, contact the Customer Care Center.

Tools and Materials



Stud Finder 3/32", 3/16"

Plus:

- Framing and Drywall Tools
- 2x4s for Framing
- Drywall and Framing Fasteners
- Jigsaw or Keyhole Saw

Before You Begin



CAUTION: Risk of electric shock. Electrical wiring may need to be relocated.

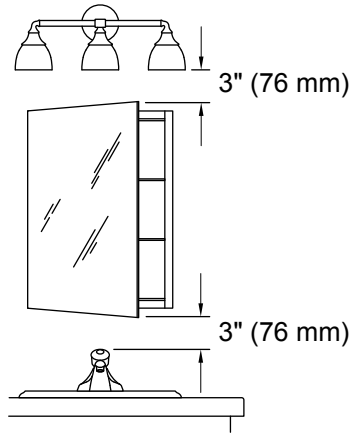
IMPORTANT! Reroute any electrical wires or water supply piping from the wall cavity. If you encounter drain or vent piping or if your wall is load-bearing, consult a professional before proceeding.

NOTICE: The wall cavity must be framed. The cabinet must be secured to framing studs.

NOTE: If purchased, install the surround before the cabinet. Follow the instructions packed with the surround.

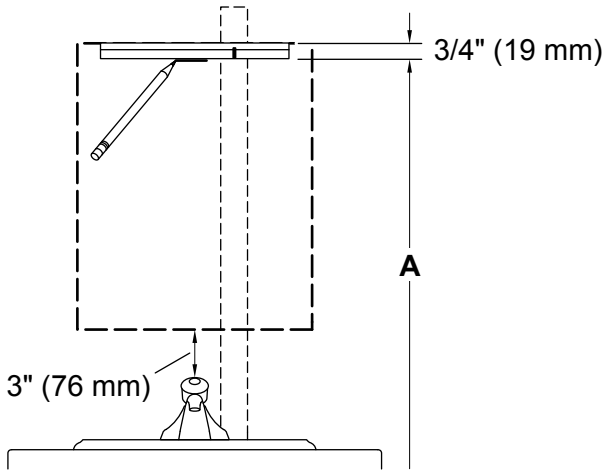
NOTE: The cabinet can be rotated during installation for left or right door swing.

1. Verify Minimum Clearances



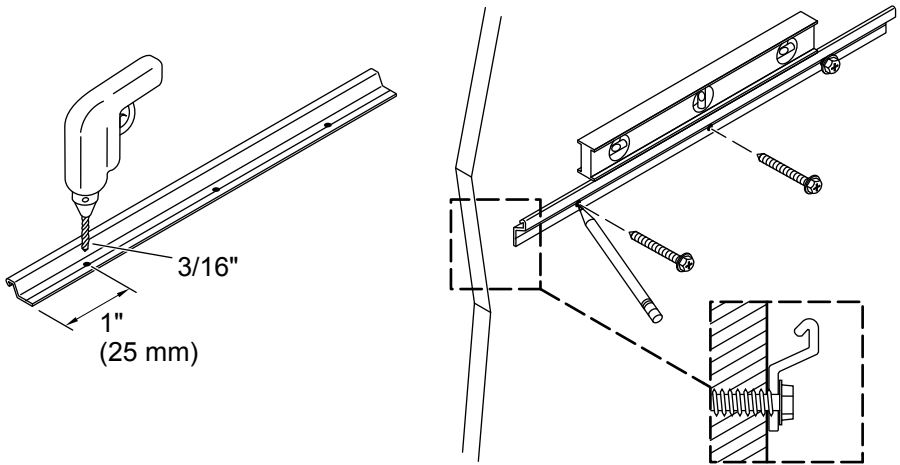
- Verify that the door will clear all obstacles, such as a faucet or light fixture.
- Provide a minimum distance of 3" (76 mm) between the door and other objects.
- Surface-Mount:** Proceed with the "Surface-Mount - Prepare the Site" section.
- Recess-Mount:** Proceed with the "Recess-Mount - Prepare the Site" section.

2. Surface-Mount - Prepare the Site



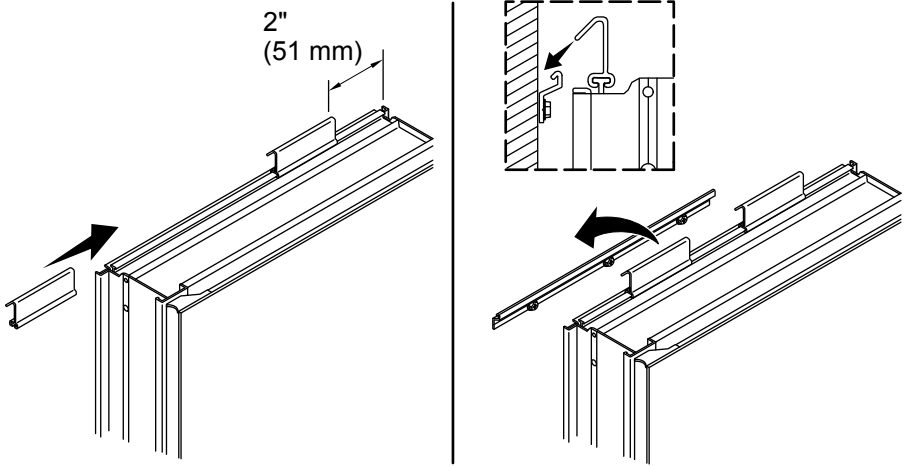
- 30" Tall Medicine Cabinets:** Measure distance "A" and position the mounting bar 73" (1854 mm) from floor (recommended).
- 40" Tall Medicine Cabinets:** Measure distance "A" and position the mounting bar 83" (2108 mm) from floor (recommended).
- Mark the position of the mounting bar. Mark the stud locations.

3. Surface-Mount - Install the Mounting Bar



- Using a 3/16" drill bit, drill three holes on the groove of the mounting bar. One hole must be positioned on a stud location.
- Position the mounting bar on the wall.
- Mark the hole locations on the wall.
- Drill holes at the marked locations.
- Insert anchors (not provided) where needed.
- Secure the mounting bar with three 2" hex head screws (provided) or screws provided with the anchors.

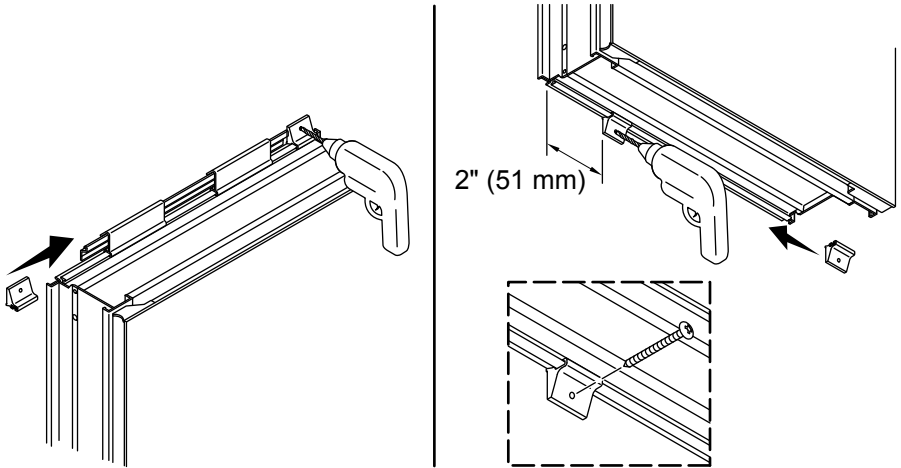
4. Surface-Mount - Hang the Cabinet



NOTE: Rotate the cabinet for right or left door swing.

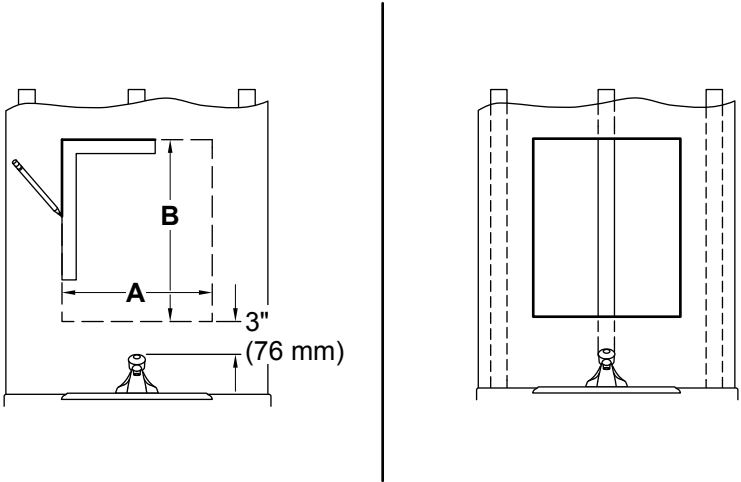
- Slide the hanger hooks onto the top T-slot as shown.
- Position each hook 2" (51 mm) from the ends of the cabinet.
- Lift the cabinet onto the mounting bar.
- Verify that the hooks engage the mounting bar.

5. Surface-Mount - Secure the Cabinet



- Slide a clip onto each end of the top T-slot.
- Verify that the cabinet is centered as desired.
- Drill pilot holes into the wall.
- If needed, insert anchors into the wall.
- Secure the clips with 1-1/2" screws (provided).
- Slide a clip onto each end of the bottom T-slot.
- Position each clip 2" (51 mm) from the ends of the cabinet.
- Drill pilot holes and secure with 1-1/2" screws (provided).

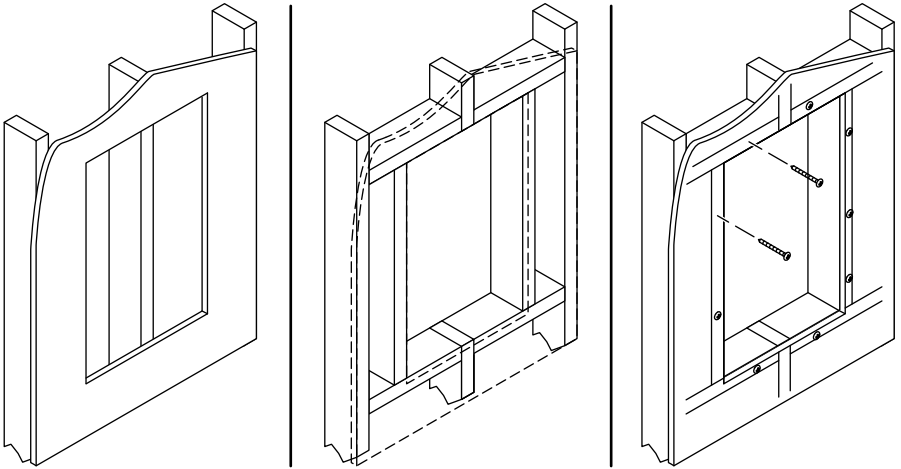
6. Recess-Mount - Prepare the Site



Model	A = Width	B = Height
K-99000 K-99001	13-5/8" (346 mm)	28-1/4" (718 mm)
K-99002 K-99003	18-5/8" (473 mm)	28-1/4" (718 mm)
K-99006 K-99007	22-5/8" (575 mm)	28-1/4" (718 mm)
K-99008 K-99009	32-5/8" (829 mm)	28-1/4" (718 mm)
K-28029	13-5/8" (346 mm)	38-1/4" (972 mm)
K-28030	18-5/8" (473 mm)	38-1/4" (972 mm)
K-28031	22-5/8" (575 mm)	38-1/4" (972 mm)
K-28032	32-5/8" (829 mm)	38-1/4" (972 mm)

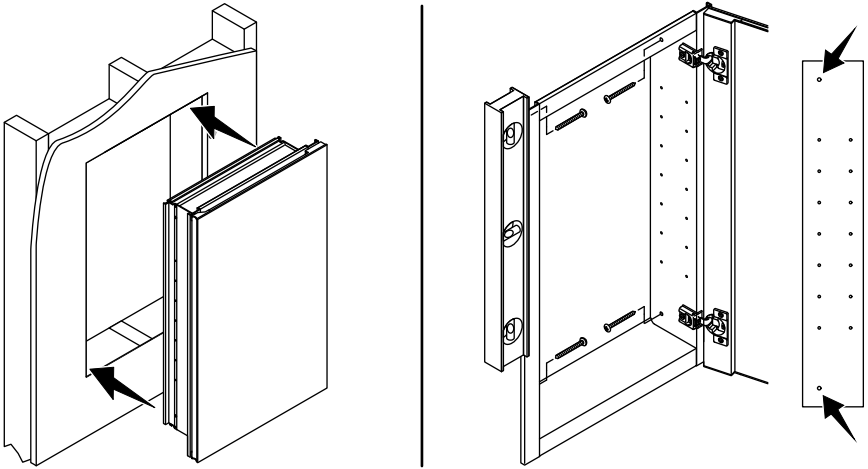
Measure and mark the cutout for your model.

7. Recess-Mount - Construct the Framing



- Use a jigsaw or keyhole saw to carefully remove the finished wall material from the marked cutout location.
- Frame out the wall cavity. If needed, install a header.
- Secure the drywall to the framing.

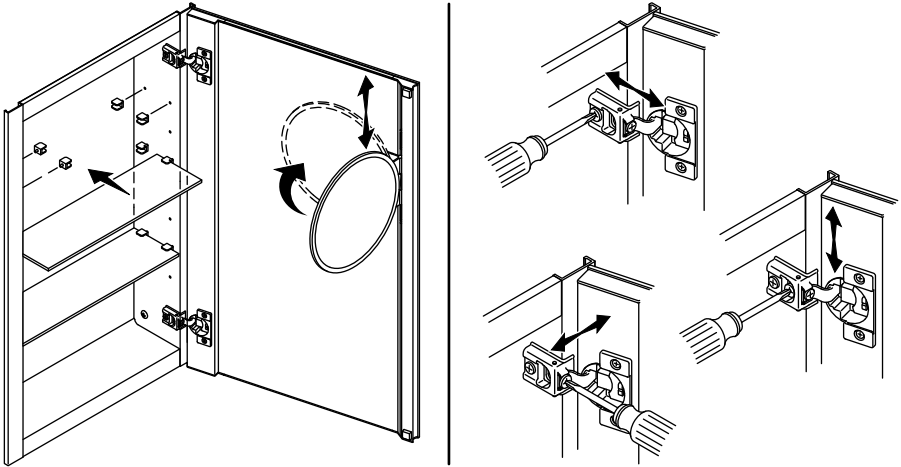
8. Recess-Mount - Install the Cabinet



NOTE: Rotate the cabinet for right or left door swing.

- With help, lift and hold the cabinet in the cutout.
- Verify that the cabinet is level.
- Identify the two mounting holes on each side of the cabinet.
- Secure the cabinet to the framing using the four 1-1/2" screws (provided).

9. Complete the Installation



IMPORTANT! Before closing the door, rotate magnifying mirror in.

- Install four clips for each shelf.
- Insert the shelves between slots on the clips.
- To adjust magnifying mirror height, slide the mirror hinge up or down.
- If needed, turn the adjustment screws to align the door.