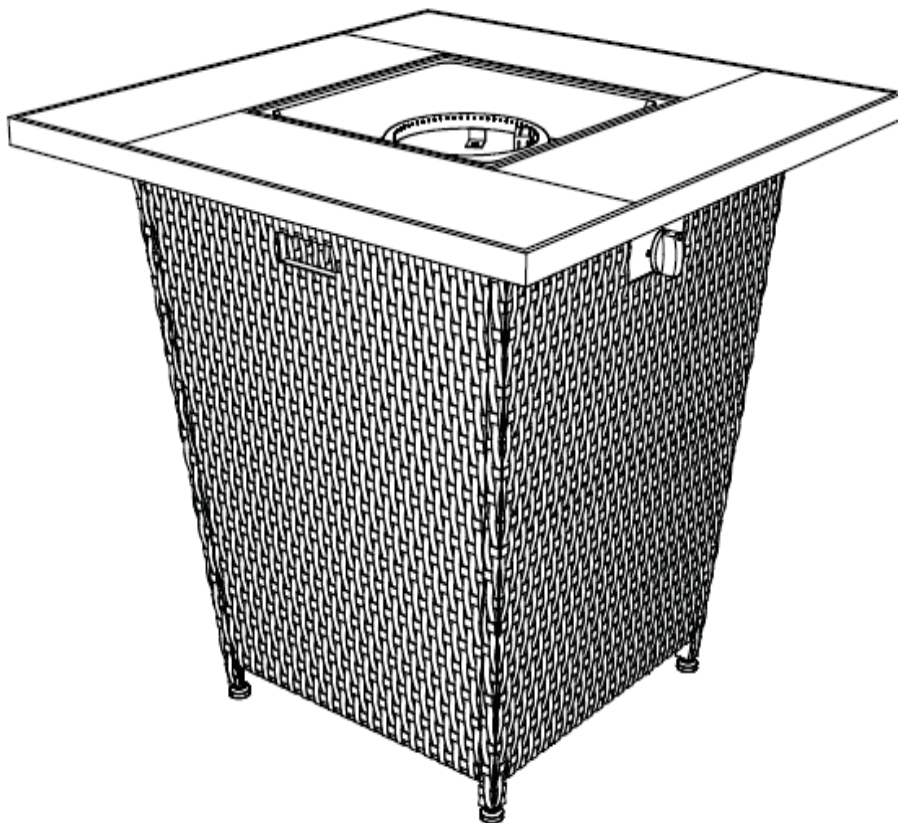
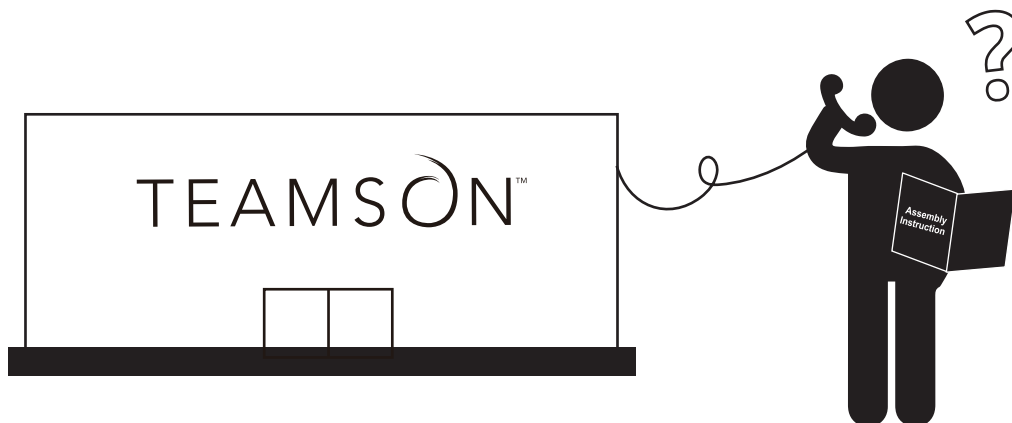
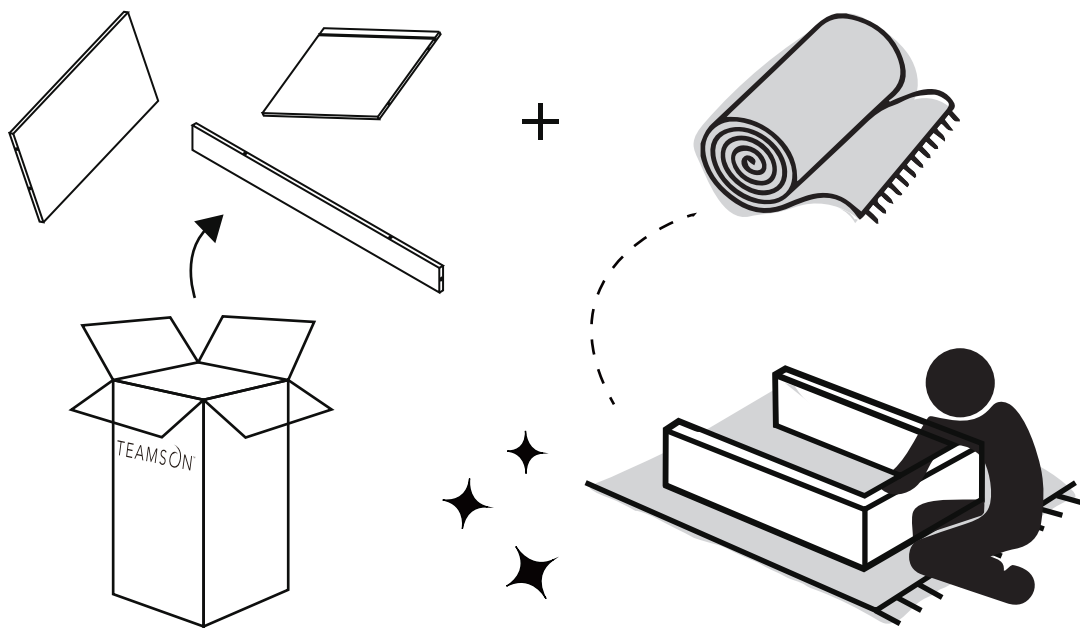
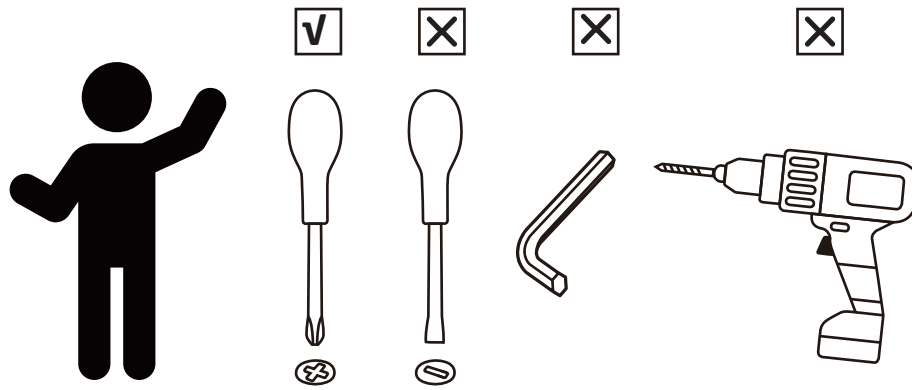


**Peaktop**  
**30" Rattan Base Tempered**  
**Glass Top Propane Firepit**  
**HF30200AA-UK**

**TIME SAVER!**  
3D Interactive Instruction





\*\* Got questions? Please have your product code (on the first page of this instruction, e.g. HF30200AA-UK) and the order number ready, give us a call or email us through our customer care support! We are always ready to assist you!

# TEAMSON HOME



**3D Interactive Instruction**

**[www.teamsonhome.com](http://www.teamsonhome.com)**

**Serving you well gives us great joy!**

**USA . . . . +1(800)935-3959**

Mon - Fri 10:00am ~ 2:00pm EST

✉ [support@teamson.com](mailto:support@teamson.com)

**EU . . . . . +44(0)1952-916-050**

Mon - Thu 9:00am ~ 5:00pm GMT

Friday 9:00am ~ 4:00pm GMT

✉ [support@teamson.co.uk](mailto:support@teamson.co.uk)

**ASIA . . . . 深圳办公室:**

**+86(0755)8885-3558.分机号108**

Mon - Sat 9:00am ~ 5:00pm GMT+8

✉ [sales\\_ec@teamson.com](mailto:sales_ec@teamson.com)

台北办公室:

**+886(2)2556-6268**

Mon - Fri 9:00am ~ 5:00pm GMT+8

✉ [sales\\_ec@teamson.com](mailto:sales_ec@teamson.com)

**Thank you for choosing Teamson Home**

## SAFETY INFORMATION

### DANGER

#### FIRE OR EXPLOSION HAZARD

If you smell gas:

- Turn off gas supply.
- Extinguish any open flame.
- If odor continues, leave the area immediately.
- After leaving the area, call your gas supplier or fire department.

Failure to follow these instructions could result in fire or explosion, which could cause property damage, personal injury, or death.

### WARNING

If the information in this manual is not followed exactly, a fire or explosion may result causing property damage, personal injury, or loss of life.

### WARNING

- Do not modify the appliance;
- Do not move the appliance during use;
- Turn off the gas supply at the gas container after use
- Accessible parts may be very hot. Keep young children away
- The appliance should not be used in basements or below ground level.
- The appliance must only be used in a spacious area (outdoor) and it is for warming use only.

### WARNING

Improper installation, adjustment, alteration, service or maintenance can cause injury or property damage. Refer to the owner's information manual provided with this appliance. For assistance or additional information consult a qualified installer, services agency or the gas supplier.

### WARNING

Do not store or use gasoline or other flammable vapors and liquids fuel in the vicinity of this or any other appliance. An LPG-cylinder which has not been connected for use shall not be stored in the vicinity of this gas fire pit or any other similar appliance.

### WARNING

#### For outdoor use only.

Installation and service must be performed by a qualified installer, service agency, or the gas supplier.

### WARNING

THIS APPLIANCE HAS A NAKED FLAME A SUITABLE GUARD SHOULD BE USED FOR THE PROTECTION OF YOUNG CHILDREN, THE ELDERLY AND THE INFIRM.

### DANGER



#### CARBON MONOXIDE HAZARD

This appliance can produce carbon monoxide which has no odor. Using it in an enclosed space can kill you. Never use this appliance in an enclosed space such as a camper, tent, car or home.

INSTALLER: Leave this manual with the appliance.  
CONSUMER: Retain this manual for future reference.



0359-20

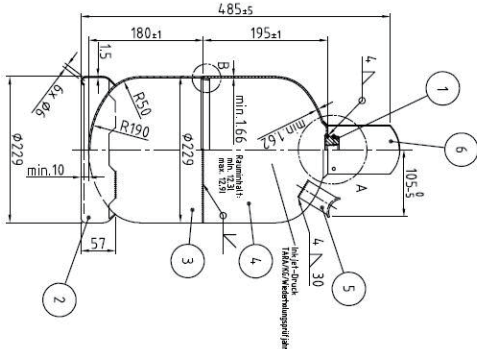
0359CS02874



Questions?

Scan Here

# SAFETY INFORMATION

Product Name	Gas Fire pit			
Model	HF30200AA			
Gas Type	Butane at (28~30)mbar/ Propane at 37mbar	LPG gas mixture	LPG gas mixture	LPG gas mixture
Gas Category	I3+(28-30/37)	I3B/P(30)	I3B/P(37)	I3B/P(50)
Heat input (Hs)	13 kW(946.4g/h)	13 kW(946.4g/h)	13 kW(946.4g/h)	13 kW(946.4g/h)
Gas pressure	G30 at 28-30mbar G31 at 37mbar	G30/G31 at 30mbar	G30/G31 at 37mbar	G30/G31 at 50mbar
Injector diameter (Ø) and No.	1.84mm	1.84mm	1.74mm	1.59mm
Destination countries	GB,CY,CZ,FR,GR,IE,IT,LV,LT,LU,PT, SK,SI,ES,CH	AL,BG,CY,H R,DK,EE,FI,FR,HU,IS,IT,LT,LU,MT,MK,NL,NO,RO,SK,SI,SE,TR	PL	AT, DE, SK,CH,
Gas regulator	Certified regulator according to EN 12864 (flow rate: max. 1.5kg/h)			
Gas hose	Certified gas hose according to applicable EN-standard (max3.0m)			
Gas cylinder	Standard gas cylinder (recommend to use 4.5kg - 13kg)			
				
Primary air regulation	Fix - not adjustable			
Appliance mass:	4.5kg-13kg			

This symbol is stick on in the higher part of the appliance (do not remove it).

**Attention:  
Surface very hot!  
Do not touch!!!!**



**ATTENTION:** This appliance is fitted with flexible gas rubber pipe and clamps that must be used; never use different kind and always according to the National Rules in force of the country of destination. These components should be periodically substituted, according to the date reported on the body of each of them, or according to the National Rules in force of the country of destination. Gas regulator and LPG cylinder are not included and have to be bought according to LPG compartment shape and cylinder support.

## SAFETY INFORMATION

Before you assemble or operate this unit, please carefully read this entire manual. Failure to do or follow may result in a fire, explosion, injury or death.

### **WARNING**

#### GENERAL WARNINGS

- FOR OUTDOOR USE ONLY--DO NOT SIT OR STAND ON TABLE Warning -For your safety
- If the information in this manual is not followed exactly, a fire or explosion may result causing property damage, personal injury or loss of life.
- IMPORTANT NOTICE: read and understand all warnings and precautions prior to assembly and use for you gas firepit.
- DANGER: Failure to follow the dangers, warning and cautions in this manual may cause a fire or explosion causing damage to property, serious bodily injury or death.
- Minimum Clearance From Unit To Combustible Material: 182.9cm (72") from the top; 91.5cm (36") from all sides and back.
- Do not locate this appliance under over-head unprotected combustible surfaces.

#### IF YOU SMELL GAS:

- Shut off gas supply to the firepit.
- Extinguish any open flame.
- Do not try lighting any appliance.
- Do not touch any electrical switch nor use any phone in your building.
- Immediately call your gas supplier from a neighbor's phone.
- Follow the gas supplier's instructions.
- If you cannot reach your gas supplier, call the fire department.
- Never Improper installation, adjustment, alteration, service or maintenance can cause injury or property damage. Read the installation, operation and maintenance instructions thoroughly before installing or servicing this equipment.
- Keep these instructions for future reference. If you are assembling this unit for some-one else, give this manual to him or her to read and keep for future reference.
- This gas firepit should ONLY be used outdoors in a well-ventilated space and should NOT be used inside a building, garage, or any other enclosed area.
- Do NOT use this outdoor gas firepit for indoor heating. TOXIC carbon monoxide fumes can accumulate and cause asphyxiation.
- Keep away from the unit for the first 20 minutes after igniting your unit for the first time,an lava rocks/pumice stones/LavaGlass® could pop out and cause injury. Should any rocks pop out, discard them.
- Never LEAVE this gas firepit unattended when in use.

Children and adults should be alerted to the hazards of high surface temperatures and kept at a safe distance while firepit is in use.

- Do NOT operate light or use this firepit within 2.5m (8 feet) of walls, structures or buildings.
- Storage of this firepit indoors is permissible only if it has been disconnected from its fuel supply ( LP gas cylinder).
- Gloves are strictly recommended to be used while moving this appliance, to protect your hands.
- Any sealed parts by Manufacture or his agent can not be altered by the user.
- Do NOT store any combustible materials inside the base enclosure.
- The use of alcohol, prescription or non-prescription drugs may impair an individual's ability to properly assemble or safely operate this firepit.
- Do not use inside an explosive atmosphere. Keep gas firepit area clear and free from combustible materials, gasoline and other flammable vapors and liquids.

## SAFETY INFORMATION

- This outdoor firepit must NOT be operated by children. Young children should be closely supervised when in the vicinity of this outdoor firepit.
- This outdoor firepit should not be installed or used in or on a recreation vehicles and/or boats.
- Always use in accordance with all applicable local, state and national codes. Contact your local fire department for details on outdoor fires.
- Use the same precautions you would with any open fire with this outdoor firepit.
- Do NOT burn solid fuels such as: wood, charcoal briquettes, lump charcoal, manufactured logs, driftwood, trash, leaves, paper, cardboard, plywood, painted or stained or pressure treated wood in this outdoor firepit.
- Do NOT alter this outdoor firepit in any manner.
- Do NOT use this outdoor firepit until it is COMPLETELY assembled and all parts are securely fastened and tightened.
- Do NOT store another LP gas tank within 3.05m (10 feet) of this outdoor firepit while it is in operation.
- Do NOT use this outdoor firepit near automobiles, trucks, vans or recreational vehicles.
- Do NOT use this outdoor firepit under any overhead or near any unprotected combustible materials. Avoid using near or under overhanging trees and shrubs.
- Always use this outdoor firepit on a hard, level, non-combustible surface such a concrete, rock or stone. An asphalt or blacktop surface may not be acceptable for this purpose.
- Do NOT use this outdoor firepit if any part has been under water. Immediately call a qualified service technician to inspect the firepit and to replace any part or control system and any gas control which has been under water.
- Do NOT wear flammable or loose clothing when operating this outdoor firepit.
- Do NOT use under strong wind or windy situation.
- Keep all electrical cords away from a hot outdoor firepit.
- Certain areas of this outdoor firepit will become too hot to touch during and after use . Do not touch hot surfaces until the unit has cooled unless you are wearing protective gear such as insulated pot holders or heat resistant gloves or mittens to avoid burns.
- Children and adults should be alerted to the hazards of high surface temperatures and should stay away to avoid burns or clothing ignition.
- Do NOT hang or place clothing or other flammable materials on or near the gas fire-place.
- Any guards or other protective devices which have been removed for servicing the firepit must be re-placed prior to operate.
- Do NOT attempt to move or store this outdoor firepit until all parts are cool.
- Do NOT lean over this outdoor firepit when lighting or when in use.
- Use only the regulator and hose assembly provided. Use only replacement regulator and hose assemblies specified by the manufacturer.
- Storage of this outdoor firepit indoors is permissible only if the LPG/Gas tank is disconnected, removed from the outdoor firepit and properly stored outdoors.
- Do not attempt to disconnect the gas regulator from the tank or any gas fitting while the outdoor firepit is in use.
- Always shut off gas supply at the tank valve and disconnect regulator from the tank when the firepit is not in use.
- Do NOT sit on the mantle when the unit is in operation.
- Do not throw anything onto the fire when the unit is in operation.
- Lava rocks are very hot; please keep children or pets away at a safe distance.
- It is essential to keep the outdoor firepit valve compartment, burners, and circulating air passages clean. Inspect outdoor firepit for debris before each time of use.

## SAFETY INFORMATION

- Prior to each gas firepit operation, check the hose for evidence of excessive abrasion or wear by looking through the visual check hole. If the hose is damaged, cut or cracked, it must be replaced before using the gas firepit. The hose assembly can only be replaced by a hose assembly specified by the manufacturer.
- Before each use, remove the lava rocks. Examine the burner and its components. If dirty, clean with a soft brush and soapy water solution. Also examine the area around the burner. Any dirt or foreign material, such as spider webs or nests in this area should be removed. If it is evident that the burner is damaged, it must be replaced before the gas firepit is used.
- The burner assembly can only be replaced by a burner specified by the manufacturer. Place the hose out of the pathways where people may trip over it.
- Do Not cross the hose between outdoor firepit and the propane tank.
- Before installation, ensure that the local distribution conditions (identification of the type of gas and pressure) and the adjustment of the appliance are compatible.
- the appliance shall be connected in accordance with national regulations.
- any air supply shall be in accordance with national regulations.

**WARNING: When the national conditions require it, it's necessary to change the flexible tube.**

### LIQUID PROPANE GAS (LPG) WARNINGS

- LP gas is flammable and hazardous if handled improperly. Please review the characteristics before using any LP gas product.

Propane Characteristics:

- Flammable, explosive under pressure, heavier than air, and settles in pools in low areas. In its natural state, propane has no odor. For your safety, an odorant is typically added. Contact with propane could burn the skin.
- Propane is extremely flammable and hazardous if handled improperly.

### LP GAS WARNINGS:

- Cylinders must be stored outdoors in a well-ventilated area out of reach of children. Disconnected cylinders must have threaded valve plugs tightly installed and is a must.
- not be in a building, garage or any other enclosed area.
- Never use a propane cylinder with a damaged body, valve, collar or footing.
- Dented or rusted propane cylinders may be hazardous and should be checked by your propane gas supplier.
- LP gas tank must be arranged for vapor withdrawal.
- The LP gas tank must have a tank collar to protect the tank valve.
- Never use an LP gas tank with a damaged body, valve, collar, or footing. Dented or rusted LP gas tanks may be hazardous and should be checked by your LP gas supplier prior to use.
- The LP gas tank should not be dropped or handled rudely.
- Tanks must be stored outdoors out of the reach of children. Do NOT store in a building, garage, or any other enclosed area.
- Never store your LP gas tank where temperatures can reach over 50°C (125°F).
- Do not store the LP gas cylinder in direct sunlight or near a source of heat or combustion.
- Never keep a filled LP gas tank in a hot car or car trunk. Heat will cause the gas pressure to increase, which may open the relief valve and allow gas to escape.

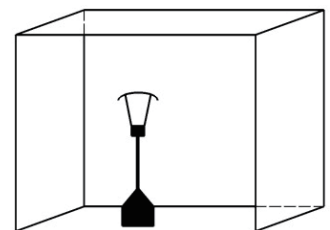


## SAFETY INFORMATION

- Place dust cap on valve outlet whenever the LP gas tank is not in use. Only install the type of dust cap on the LP gas tank valve outlet that is provided with the LP gas tank valve. Other types of caps or plugs may result in leakage of propane.
- Do not store a spare LP gas cylinder under or near this appliance.
- Never fill the LP gas cylinder beyond 80% full.
- If the information in (a) and (b) is not followed exactly, a fire causing death or serious injury may occur.
- LP gas cylinders should be filled only by a certified LP gas dealer.
- the pressure regulator is set for the gas pressure of the local state.
- Regulator outlet pressure is in line with the gas pressure of the local state.
- Never attempt to attach this appliance to the self-contained LP gas system of a camper trailer, motor home or house.
- Always use the pressure regulator and hose assembly provided with the appliance to connect to a LP gas cylinder. Never connect to an unregulated LP gas supply.
- Contact your retailer's customer service department for replacement parts.
- Hand turn the manual gas control valve. Never use tools. If the valve will not turn by hand, do not try to repair it. Call a certified gas technician. The use of force or any self attempted repair may result in a fire or explosion.
- Use only the type of gas and the type of LPG cylinder specified by the manufacturer.
- Appliance is fitted with gas regulator, flexible gas rubber pipe and clamps according to the National Rules in force of the country of destination.
- Appliance must use an approved gas regulator (approved for a working temperature not lower than 50 °C) according to the EN Standard flexible gas rubber pipe according to EN 16436-1 (with proper inner diameter according to gas inlet connection and National Rules in force) with a length not over 3.0 m and approved for a working temperature not lower than 60 °C. When substitution will be necessary, you have to purchase suitable gas regulator, flexible gas rubber pipe and clamps from your local gas dealer; gas regulator should be substituted not over 10 years.
- Flexible gas rubber pipe must be carefully, avoiding any twisting. Never use a damaged gas regulator.
- Never connect this appliance to an unregulated LPG source (gas regulator is mandatory to be used).
- When the appliance is not in use, turn the LPG cylinder in "OFF" position.
- Always perform a leakage test on gas connections whenever a LPG cylinder is connected. If bubbles form in Flexible gas rubber pipe must be located in the LPG compartment carefully, avoiding any twisting.
- Never use a damaged gas regulator.
- Always perform a leakage test on gas connections whenever a LPG cylinder is connected. If bubbles form in the leakage test solution, do not use it. Never use a flame to test for leakages.

### **It is strictly forbidden and dangerous!**

- to change the gas cylinder in a amply ventilated area, away from any ignition source.
- For use outdoors or in amply ventilated areas.
- An amply ventilated area must have a minimum of 25 % of the surface area open. The surface area is the sum of the walls surface.



## SAFETY INFORMATION

In the event of gas leakage, the appliance shall not be used or if alight, the gas supply shall be shut-off and the appliance shall be investigated and rectified before it is used again. Tighten any leaking fittings, then turn on gas supply and recheck. If necessary, substitute gasket (according to EN 549 Class B2)



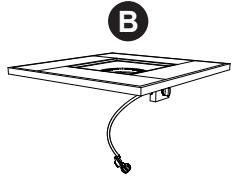
### Maintenance and Cleaning

To enjoy years of outstanding performance from your appliance, regular services of the appliance is mandatory as followings:

The appliance should be inspected before at least one time a year by a Qualified Service only. More frequent cleaning may be required according to the use of the appliance.

Any guard or other protective device removed for servicing the appliance must be replaced before operating it. Keep exterior surfaces clean, free and clear from combustible materials.

## Product Parts



**B**  
Fire Table with Burner  
1PC



**C**  
Door  
1PC



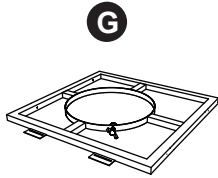
**D**  
Front Panel  
1PC



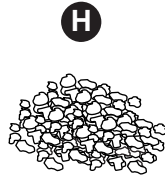
**E**  
Back Panel  
1PC



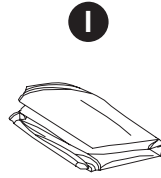
**F**  
Right Panel  
1PC



**G**  
Metal Stand  
1PC



**H**  
Lava Rocks  
1BOX(3KGS)



**I**  
PVC Cover  
1PC



**J**  
Control Knob  
1PC



**K**  
Screw(M6\*16MM)  
4PCS



**L**  
Screw(M6\*30MM)  
8PCS



**M**  
Washer  
12PCS



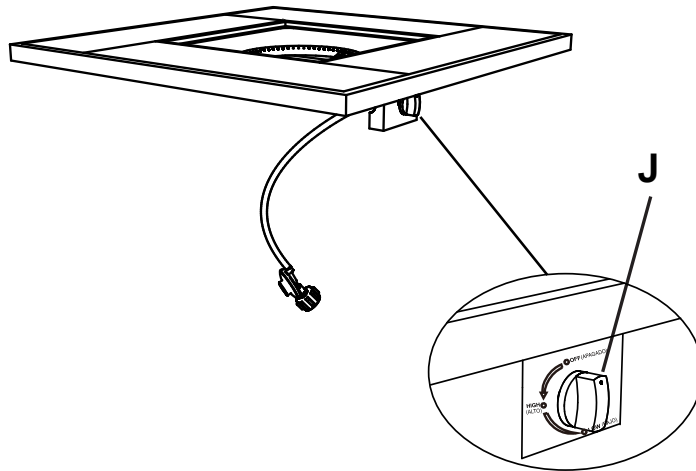
**Questions?**  
Scan Here

### ⚠ WARNING:

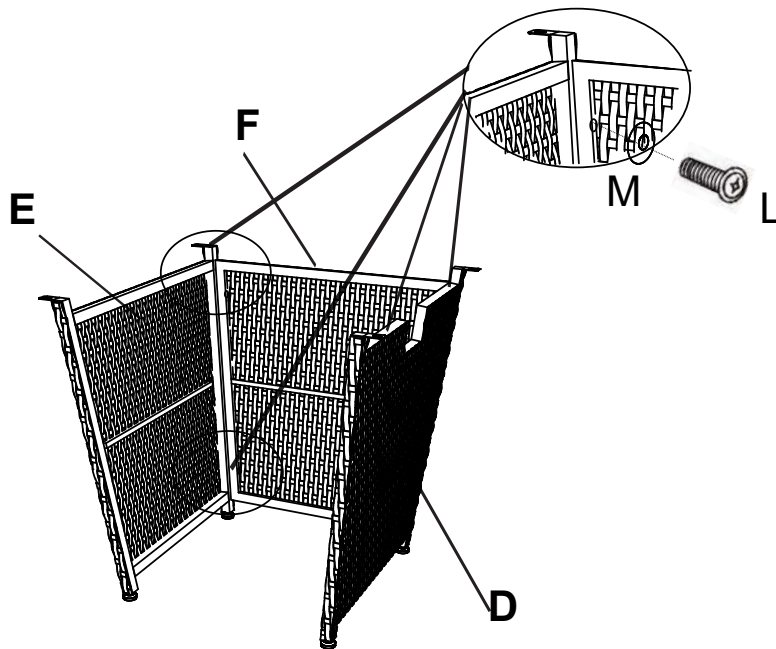
1. Do not let any sharp objects touch or rub the surface of the product.
2. When assembling, do not let children play around the working area.
3. Please confirm all parts are correct before starting the assembly process.
4. Do not tighten all bolts and screws completely until the entire unit has been assembled and set up.

## ASSEMBLY INSTRUCTION

**!** Do not lock the screws until the assembly is complete.



Step1. Check that the control knob (J) for the gas supply system is turned to the 'OFF' position before starting any assembly.

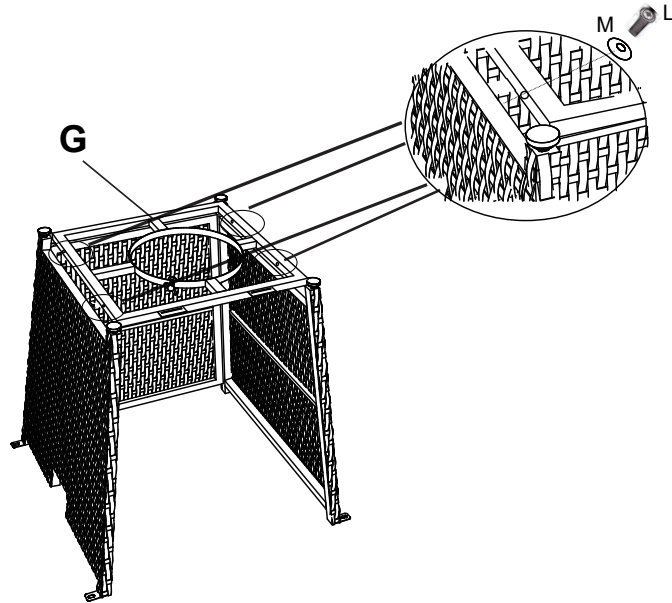


Step2. Attach back panel (E), right panel (F) and front panel (D) together using 4 pcs M6 x 30 screws (L) and 4 pcs washers (M) .

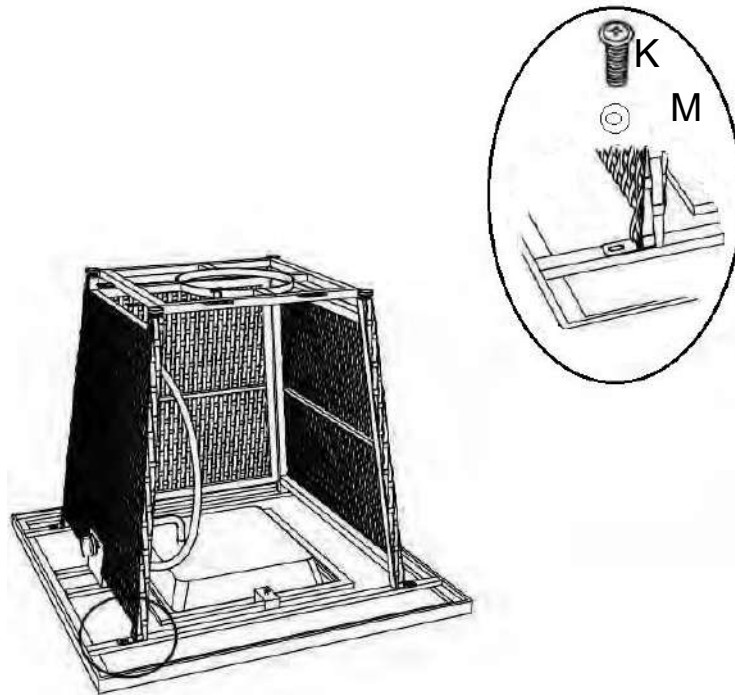


**Questions?**  
Scan Here

## ASSEMBLY INSTRUCTION



Step3. Attach the metal stand (G) to the woven base using 4 pcs M6 x 30 screws (L) and 4 pcs washers (M) .

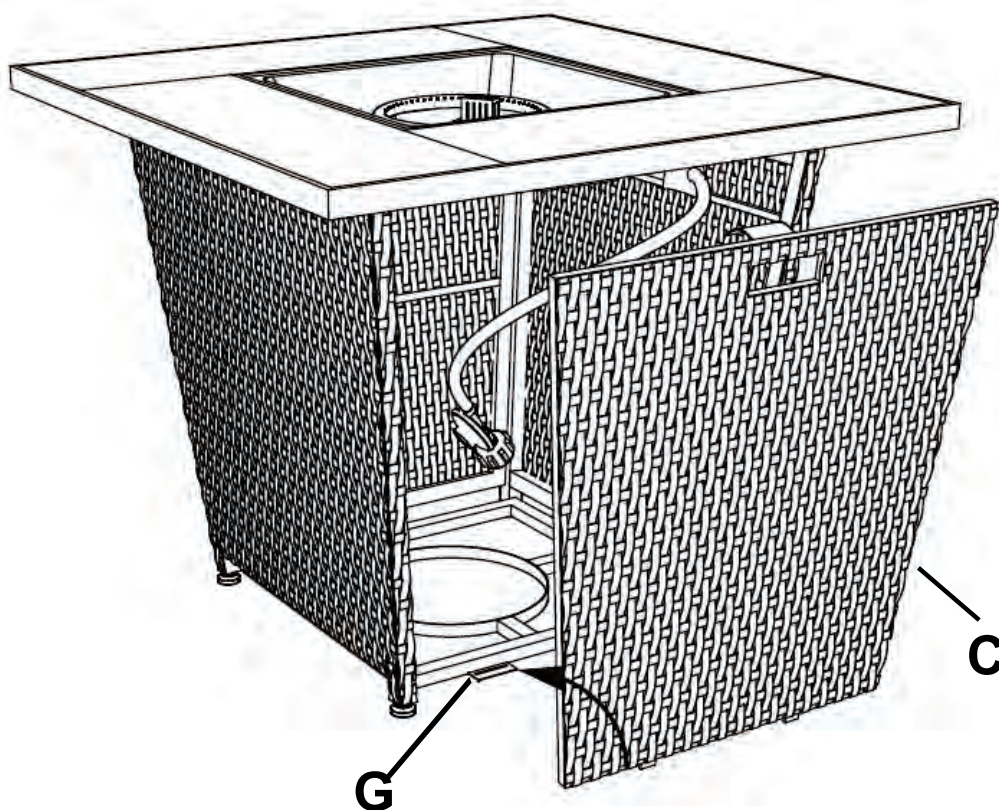


Step4. Attach woven base to the bottom part of the table top (B) using 4 pcs M6 x 16 screws (K) and 4 pcs washers (M).



**Questions?**  
Scan Here

## ASSEMBLY INSTRUCTION



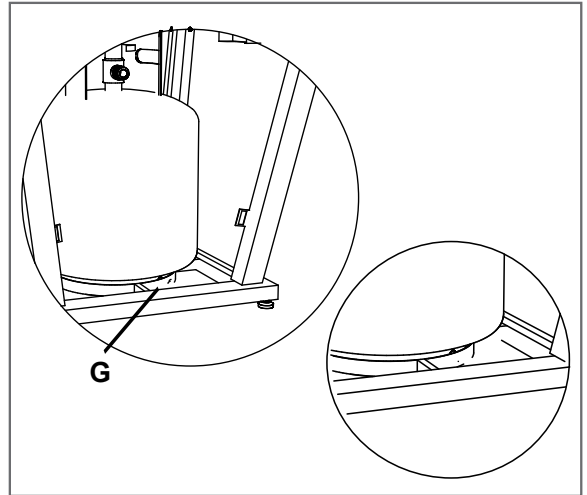
Step5. Insert the bottom of the door (C) to the hole on the metal stand (G) and rotate the top to the unit, this will attach the door (C) to the body.



**Questions?**  
Scan Here

## ASSEMBLY INSTRUCTION

Place propane gas tank (not included) into the metal stand (G). Make sure the gas tank sits on the metal stand completely.

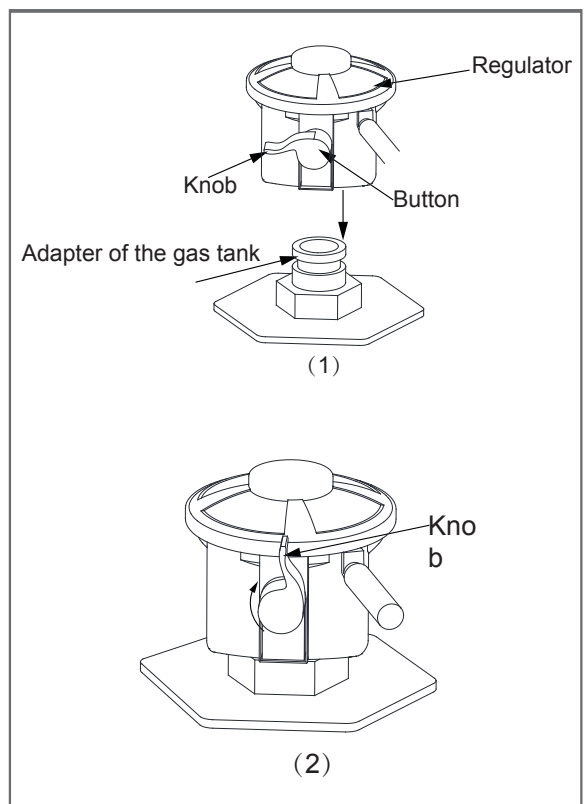


Step1: Turn the knob to the position shown in the figure(1).

Step2: Press the regulator down in the direction shown in the figure(1) while holding down the regulator button to connect the regulator connector with the gas cylinder adapter .

Step3: Release the button, pull the regulator by hand to make sure that the regulator is connected to the the adapter of gas tank.

Step4: Turn the knob to the position shown in figure(2).



Pour the lava rocks into the firebowl

### CAUTION

To ensure proper function, the guard on this burner should be free of lava rocks at all times.



 **Questions?**  
Scan Here

## OPERATION

1. Make sure the control knob is in the "OFF" position.
2. Open the door and slowly open the valve on the propane gas tank by turning the knob counterclockwise.
3. Close the door on the body.
4. Push the ignition control knob in fully and rotate about 1/4 turn counterclockwise until a click is heard, it may take several attempts to light the burner. Once lit, keep holding down the control knob for 15 seconds.
5. If ignition doesn't occur within a few seconds, release the control knob and rotate to the "OFF" position. Wait for 5 minutes for gas to clear and then repeat the above lighting instructions.
6. To adjust the flame, turn the control knob either clockwise or counterclockwise depending on whether you want to lower or raise the flame.

### To Extinguish

1. Turn control knob clockwise to the "HIGH" position; push and continue turning the control knob to the "OFF" position.
2. Close the cylinder valve on the propane gas tank if you don't intend to use it for a long time.

## MAINTENANCE

- Before performing any maintenance always disconnect propane gas tank.
- **Store your product indoors during winter months. Avoiding extreme cold temperatures will prevent from exposure damage.**
- Keep the heating item free and clear from combustible materials.
- Visually inspect burner for obstructions and keep tank enclosure free and clear from debris.
- Use a soft brush to get rid of the mild stains, loose dirt and soil after the burner and pumice stones/lava rocks/LavaGlass® are completely cooled down. Wipe down with a soft cloth.
- Harsh weather conditions may cause stubborn stains, discoloration and possibly rust pitting.
- Permanent damage may occur if powder or solvent comes in contact with painted or plastic components on this heating unit.
- Keep the heating unit stored away from direct sunlight.
- If storing this unit inside, disconnect the propane gas tank from the gas valve.
- Not using manufacturer approved or supplied parts/accessories may result in a defective condition and void the warranty of this heating unit.
- Always place lid (if applicable) or protective cover on heating item when not in use.



**Questions?**  
Scan Here



## TROUBLESHOOTING

Heating unit won't light	Igniter pin and burner are wet	Dry off with a soft cloth
	Igniter battery is incorrectly inserted	Check which direction the battery is inserted
	Igniter pin is broken	Contact Teamson design corp. for a replacement part
	Electrode wire is loose or disconnected	Reconnect wire to the igniter box located inside the table behind the igniter box
	Electrode wire is shorting between valve and igniter pin	Contact Teamson design corp. for a replacement part
Burner won't light while using a match	No gas flow	Check that the gas tank isn't empty
	Regulator isn't connected securely to the tank	Tighten regulator connection to the gas tank
	Gas flow is obstructed	Check all hoses for kinks and bends
	Burner ports are clogged	Turn all gas flow connections off. Insert an opened paperclip (or similar item) into each of the burner ports to clear them out.
Heating unit emits a lot of black smoke	Flame is obstructed at burner ports	Check that all burner ports are free of any small lava rocks/pumice stones/LavaGlass® pieces
	Regulator hose is kinked	Straighten hose of all bends or kinks
Sudden drop in gas flow	Excess flow safety valve has been activated	Turn the control knob to the 'off' position. Close the tank valve and disconnect propane gas tank. Turn the control knob to 'high'; wait 1 minute. Turn the control knob back to the 'off' position. Reconnect propane gas tank. Light the fire unit as indicated in the 'To Light' section of this manual.
Flame blows out easily	High or gusting winds	Increase flame to 'high'
	No gas flow	Check that the gas tank isn't empty
	Excess flow safety valve has been activated	See 'sudden drop in gas flow' above



**Questions?**  
Scan Here